

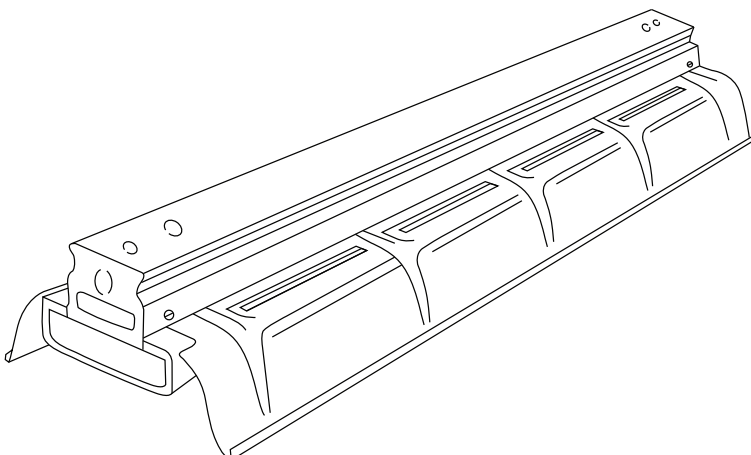
# TU Turret Industrial Fluorescent **TU HO/VO/SL Series**

Page 1 of 2

Solid Top/12% Up-Light, 48", 96" Lengths, High Output/Slimline 2 or 3 Lamp T8

## Features

- Rugged telescoping turret lamp holders.
- Optimum 5-3/8" lamp spacing (2 lamp units).
- Reflector is embossed for rigidity.
- Reflector sides are turned up for rigidity and safe handling.
- 12% aperture reflector, standard.
- Solid top reflector, optional.
- Reflector secured to housing with easy to use thumb screws.
- 4-1/8" wide clevis type housing channel.
• Fully enclosed wiring.
- Optional porcelain reflectors.
- Optional slide grip hangers.
- Optional heavy duty coupling, wire guards and reflector aligners.
- HO and VHO fixtures must be suspended with a minimum 1-1/2" clearance to ceiling.



## Mounting Accessories



Canopy Spacer Catalog Number: **AC1 CSP**



Stem and Canopy Set Catalog Number: **ASC6 CSP**



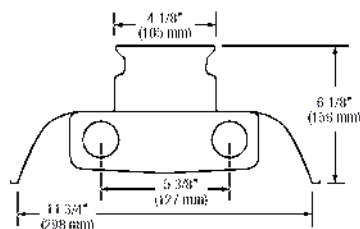
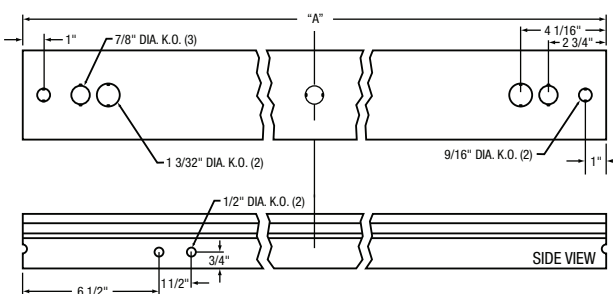
Slide Grip Hanger Catalog Number: **LFL-111**



Housing Row Coupler Catalog Number: **LFL-3**

## Dimensions

DIM "A"		
4' CHANNEL	(1227 mm)	48 5/16"
8' CHANNEL	(2446 mm)	96 5/16"



**LIGHTOLIER®**

Job Information	Type:
<b>Job Name:</b>	
<b>Cat. No.:</b>	
<b>Lamp(s):</b>	
<b>Volts/Ballast:</b>	

Lightolier a Genlyte company www.lightolier.com  
 Technical Information: (978) 657-7600 • Fax (978) 658-0595  
 631 Airport Road, Fall River, MA 02720 • (508) 679-8131 • Fax (508) 674-4710  
 We reserve the right to change details of design, materials and finish.  
 © 2007 a Genlyte company **Section 7/Folio Q60-15**

# TU Turret Industrial Fluorescent TU HO/VO/SL Series

Page 2 of 2

Solid Top/12% Up-Light, 48", 96" Lengths, High Output/Slimline 2 or 3 Lamp T8

## Model No. TU8A259SL120SO

LER = FI - 85 IW - 109 BF - .85  
Comparative yearly lighting energy cost per 1000 lumens = \$2.82

Report Number: ITL42342  
Catalog Number: TU8A259SL120SO  
Lamps: F96T8

Luminaire: Fabricated metal ballast housing. White polyester painted finish.  
Ballast: 22120-2T8-59

Report is based on 5800 Lumens per lamp.

Efficiency: 93.6%

CIE Type-Semi-Direct

Plane: 0-Deg 90-Deg

Spacing Criteria: 1.3 1.4

Shielding Angles: 90 90

Plane: 0-Deg 90-Deg

Luminous Length: 96.250 12.500

### CANDELA DISTRIBUTION

	0.0	45.0	90.0	FLUX
0	3006	3006	3006	
5	3001	2991	3039	286
15	2910	2936	2985	830
25	2716	2770	2829	1279
35	2442	2535	2634	1593
45	2079	2238	2477	1755
55	1659	1968	1908	1666
65	1165	1336	1315	1298
75	626	820	586	775
85	155	137	124	181
95	17	35	38	40
105	124	49	116	72
115	262	30	38	72
125	400	46	34	112
135	524	167	53	169
145	662	313	196	225
155	707	441	370	238
165	769	723	575	195
175	796	783	795	75

### ZONAL LUMEN SUMMARY

ZONE	LUMENS	% LAMP	% FIXT
0- 30	2296	20.7	22.1
0- 40	3988	34.4	36.7
0- 60	7410	63.9	68.2
0- 90	9664	83.3	89.0
90-180	1198	10.3	11.0
0-180	10862	93.6	100.0

### COEFFICIENTS OF UTILIZATION - ZONAL CAVITY METHOD. EFFECTIVE FLOOR CAVITY REFLECTANCE 0.20

RC	70	80	50	30	10	50	30	10	
1	99	95	91	86	83	80	80	78	76
2	90	82	75	74	69	65	70	66	62
3	82	72	64	65	59	54	61	56	52
4	74	63	55	57	51	46	54	48	44
5	68	56	48	51	44	39	48	42	38
6	63	50	42	46	39	34	44	38	33
7	58	45	37	42	35	30	39	33	29
8	54	41	33	38	31	27	36	30	26
9	50	38	30	35	28	24	33	27	23
10	47	35	27	32	26	21	31	25	21

## Model No. TU8A296HO120SS

LER = FI - 68 IW - 178 BF - .84  
Comparative yearly lighting energy cost per 1000 lumens = \$3.53

Report Number: ITL42348  
Catalog Number: TU8A296HO120SS  
Lamps: F96 HO ES

Luminaire: Fabricated metal ballast housing. White polyester painted finish.  
Ballast: REL-2S110-RH-TP

Report is based on 8000 Lumens per lamp.

Efficiency: 90.4%

CIE Type-Semi-Direct

Plane: 0-Deg 90-Deg

Spacing Criteria: 1.3 1.4

Shielding Angles: 90 90

Plane: 0-Deg 90-Deg

Luminous Length: 96.250 12.500

### CANDELA DISTRIBUTION

	0.0	45.0	90.0	FLUX
0	3896	3896	3896	
5	3893	3870	3924	370
15	3785	3773	3847	1072
25	3544	3595	3723	1666
35	3187	3350	3490	2092
45	2722	2970	3211	2295
55	2179	2548	2497	2177
65	1528	1772	1745	1718
75	838	1082	876	1045
85	225	202	194	264
95	26	61	70	66
105	165	83	148	112
115	343	73	68	130
125	524	183	101	206
135	691	321	225	279
145	829	452	374	323
155	940	574	515	307
165	1015	881	752	247
175	1049	1019	1020	97

### ZONAL LUMEN SUMMARY

ZONE	LUMENS	% LAMP	% FIXT
0- 30	3108	19.4	21.5
0- 40	5200	32.5	35.9
0- 60	9672	60.4	66.9
0- 90	12699	79.4	87.8
90-180	1767	11.0	12.2
0-180	14466	90.4	100.0

## Ordering Information

Explanation of Catalog Number. Example: TU8A259SLUNVHI

<div style="border: 1px solid black; padding: 5px; width: 40px; margin: 0 auto;">TU</div> <p><b>Turret Industrial:</b> Flat Reflector deep channel housing</p>	<div style="border: 1px solid black; padding: 5px; width: 40px; margin: 0 auto;"> </div> <p><b>Fixture Length:</b> 4 = 48" 8 = 96"</p>	<div style="border: 1px solid black; padding: 5px; width: 40px; margin: 0 auto;"> </div> <p><b>Reflector</b></p> <table border="1" style="margin: 0 auto;"> <thead> <tr> <th>Reflector</th> <th>White Paint</th> <th>Porcelain</th> </tr> </thead> <tbody> <tr> <td>12% Up-Light</td> <td style="text-align: center;"><b>A</b></td> <td style="text-align: center;"><b>P</b></td> </tr> <tr> <td>Solid Top</td> <td style="text-align: center;"><b>S</b></td> <td style="text-align: center;"><b>T</b></td> </tr> </tbody> </table>	Reflector	White Paint	Porcelain	12% Up-Light	<b>A</b>	<b>P</b>	Solid Top	<b>S</b>	<b>T</b>	<div style="border: 1px solid black; padding: 5px; width: 40px; margin: 0 auto;"> </div> <p><b>Number of Lamps in Width:</b> (By Others) 2 or 3 Lamps</p>	<div style="border: 1px solid black; padding: 5px; width: 40px; margin: 0 auto;"> </div> <p><b>Lamp Types/Watts:</b> 44HO=44W T8 380mA (48") 48HO=60W T12 800mA (48") 86HO=86W T8 380mA (96") 96HO=110W T12 800mA (96") 48VO=110W T12 1500mA (48") 96VO=215W T12 1500mA (96") 48SL=38W T12 Slimline (48") 59SL=59W T8 Slimline (96") 96SL=75W T12 Slimline (96")</p>	<div style="border: 1px solid black; padding: 5px; width: 40px; margin: 0 auto;"> </div> <p><b>Voltage:</b> 120 or 277 UNV=120-277</p>	<div style="border: 1px solid black; padding: 5px; width: 40px; margin: 0 auto;"> </div> <p><b>Ballast Type:</b></p> <table border="0"> <tr> <td>1-2 Lamp T12 Magnetic VHO</td> <td style="text-align: center;"><b>PH</b></td> <td style="text-align: center;">-</td> </tr> <tr> <td>1-2 Lamp T12 Electronic HO or SL</td> <td style="text-align: center;">-</td> <td style="text-align: center;"><b>SS</b></td> </tr> <tr> <td></td> <td style="text-align: center;">&lt;20THD</td> <td style="text-align: center;">&lt;10THD</td> </tr> <tr> <td>1-2 Lamp Elec. T8</td> <td style="text-align: center;"><b>SO*</b></td> <td style="text-align: center;"><b>HI*</b></td> </tr> <tr> <td>1 &amp; 2 Lamp Elec. T8</td> <td style="text-align: center;"><b>SO*</b></td> <td style="text-align: center;"><b>HI*</b></td> </tr> </table> <p><small>*Instant Start Standard Note: For T8 UNV you must use HI Ballast code</small></p>	1-2 Lamp T12 Magnetic VHO	<b>PH</b>	-	1-2 Lamp T12 Electronic HO or SL	-	<b>SS</b>		<20THD	<10THD	1-2 Lamp Elec. T8	<b>SO*</b>	<b>HI*</b>	1 & 2 Lamp Elec. T8	<b>SO*</b>	<b>HI*</b>	<div style="border: 1px solid black; padding: 5px; width: 40px; margin: 0 auto;"> </div> <p><b>Options:</b> Add appropriate suffix to catalog no., ie: (GLR)</p>
Reflector	White Paint	Porcelain																													
12% Up-Light	<b>A</b>	<b>P</b>																													
Solid Top	<b>S</b>	<b>T</b>																													
1-2 Lamp T12 Magnetic VHO	<b>PH</b>	-																													
1-2 Lamp T12 Electronic HO or SL	-	<b>SS</b>																													
	<20THD	<10THD																													
1-2 Lamp Elec. T8	<b>SO*</b>	<b>HI*</b>																													
1 & 2 Lamp Elec. T8	<b>SO*</b>	<b>HI*</b>																													

## Options/Accessories

**Fusing:** Internal fast blow fusing: SUFFIX: **GLR**.

Internal slow blow fusing: SUFFIX: **GMF**.

**Cold Weather Ballasts (0°F):** SUFFIX: **CW**.

**Electrical Wiring Options:** Consult factory.

**Fluorescent Emergency Lighting Systems:** Factory-installed emergency power battery pack with charger and inverter. SUFFIX: **EM**.

**Wire Guard:** 4' Wire guard available. Specify two for 96" fixtures.

Catalog Number: **LFL-173**.

**Reflector Row Aligners:** Two aligners are included with all fixtures. For additional aligners order Catalog Number: **TU-SNA**.

**Housing Row Couplers:** Required to connect and stabilize continuous rows of chain or stem-mounted fixtures. Specify one coupler per joint. Catalog Number: **LFL-3**

**Slide Grip Hanger:** Accepts 1/2" threaded stems or rods. Slides into fixture channel grooves at any point along chassis. Catalog Number: **LFL-111**.

**Canopy Spacer:** Suspends fixture approximately 1-1/2" from surface and can be used in conjunction with slide-grip hanger. Catalog Number: **AC1 CSP**

**Stem and Canopy Set:** Suspends fixture 6", 12", 18" or 24" from surface. Catalog Number: **ASC6 CSP (6")**, **ASC12 CSP (12")**, **ASC18 CSP (18")**, **ASC24 CSP (24")**.

**Cord and Plug:** Specify NEMA configuration and cord exit location when ordering. For 120 volt fixtures specify: Catalog Number **CPA\* NEMA 5-15P**. For 277 volt fixtures specify: **CPB\* NEMA**.

**Chain Hanger Kits:** Includes two 5' heavy duty link chains with "S" hooks for fixture suspension. Catalog Number: **LFL-123**

## Specifications

**Materials:** Chassis parts are die-formed code gauge cold rolled steel, 2-5/8" deep X 4-1/8" wide channel, grooved along the entire length for strength and rigidity.

**Reflector:** Heavy duty die-formed with deep lateral embossments for additional stability and uniformity with positive securing thumb screws for attachment to housing.

**Finish:** Chassis - baked white polyester enamel. Phosphate undercoating.

**Reflector** - baked white polyester enamel (standard), porcelain reflector finish (optional).

**Electrical:** Thermally protected class "P" ballast C.B.M. approved, non PCB. If K.O. is within 3" of ballast, use wire suitable for at least 90°.

**Labels:** I.B.E.W. Listed by Underwriters Laboratories. Suitable for indoor dry and damp locations.

This product may have a mercury containing lamp. Manage in accord with Disposal Laws. See: www.lamprecycle.org

## Job Information

Type:

Lightolier a Genlyte company

www.lightolier.com

Technical Information: (978) 657-7600 • Fax (978) 658-0595

631 Airport Road, Fall River, MA 02720 • (508) 679-8131 • Fax (508) 674-4710

We reserve the right to change details of design, materials and finish.

© 2007 a Genlyte company

Section 7/Folio Q60-15

LIGHTOLIER®