

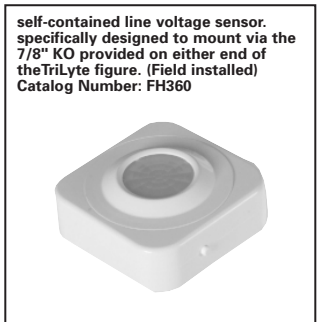
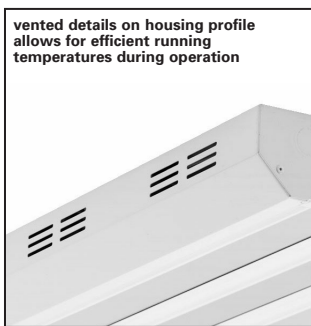
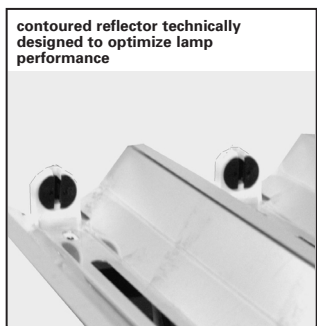
Surface/Pendant Mounted Fluorescent **TriLyte FH4**

Features

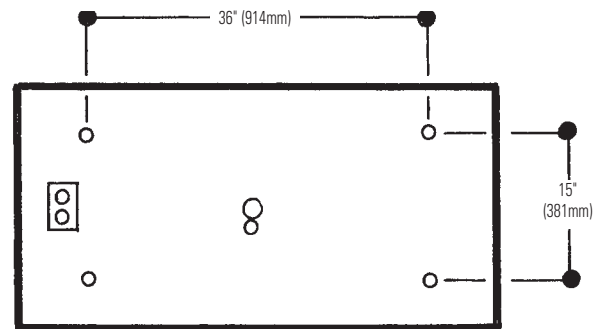
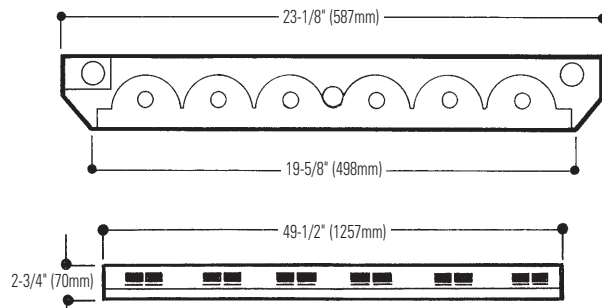
- Efficiency 90% (based on T5HO).
- Riveted 20 gauge chassis for superior strength.
- Venting on sides allow for cooler operation.
- Frameless wireguard design (See Options).
- Surface, stem or chain mounting options.
- Contoured mirror reflector for optimum efficiency.
- Slim profile of 2-3/4" depth ideal for gymnasium applications where ceiling height may be an issue.
- Optional wireguard protects lamps in gymnasium applications.
- Occupancy Sensor for energy savings solutions (See Options).
- Ideal for Trade/Retail, Recreational and Industrial applications where efficiency and lighting control are required.



Features



Dimensions



Job Information	Type:
Job Name:	
Cat. No.:	
Lamp(s):	
Volts/Ballast:	

Lightolier a Genlyte company www.lightolier.com
 Technical Information: (978) 657-7600 • Fax (978) 658-0595
 631 Airport Road, Fall River, MA 02720 • (508) 679-8131 • Fax (508) 674-4710
 We reserve the right to change details of design, materials and finish.
 © 2006 a Genlyte company **Section 7/Folio Q40-15**



Surface/Pendant Mounted Fluorescent **TriLyte FH4**

Page 2 of 2

23" Wide Body, 48" Length
6 Lamp T5 and T8

Model No. FH4C5DWW654UNVP6

LER = FP - 67.1 IW - 35.4 BF - 1.0
Comparative yearly lighting energy cost per
1000 lumens = \$3.58

Report Number: LSCA459
Catalog Number: FH4C5DWW654UNVP6
Lamps: 54W T5H0
Luminaire: Surface/pendant, slim profile
with contoured specular reflector
Ballast: ICN-4S54-90C-2LS
Report is based on 4400 Lumens per lamp.
Efficiency: 90.0%
CIE Type-Direct-Indirect
Plane: 0-Deg 90-Deg
Spacing Criteria: 1.2 1.0
Shielding Angles: 90 90
Plane: 0-Deg 90-Deg
Luminous Length:

CANDELA DISTRIBUTION

	0.0	45.0	90.0	FLUX
0	11149	11149	11149	
5	11116	11081	11047	1073
10	10977	10998	11128	
15	10694	10940	10989	3045
20	10333	10694	9678	
25	9900	9810	7953	4249
30	9325	8272	6463	
35	8695	6816	5517	4457
40	7963	5507	4736	
45	7192	4580	4116	4060
50	6305	3784	3339	
55	5406	3149	2935	3204
60	4465	2412	2708	
65	3492	2005	2291	2314
70	2548	1742	1702	
75	1609	1179	1031	1207
80	781	570	322	
85	117	28	0	157
90	0	0	0	

COEFFICIENTS OF UTILIZATION - ZONAL CAVITY METHOD. EFFECTIVE FLOOR CAVITY REFLECTANCE 0.20

RC	80	50	30	30
RW	70	50	30	10
1	100	96	93	90
2	92	86	81	81
3	85	77	71	73
4	79	69	62	66
5	72	62	55	59
6	67	56	49	54
7	62	51	44	49
8	58	46	39	44
9	53	42	35	40
10	49	38	31	37

ZONAL LUMEN SUMMARY

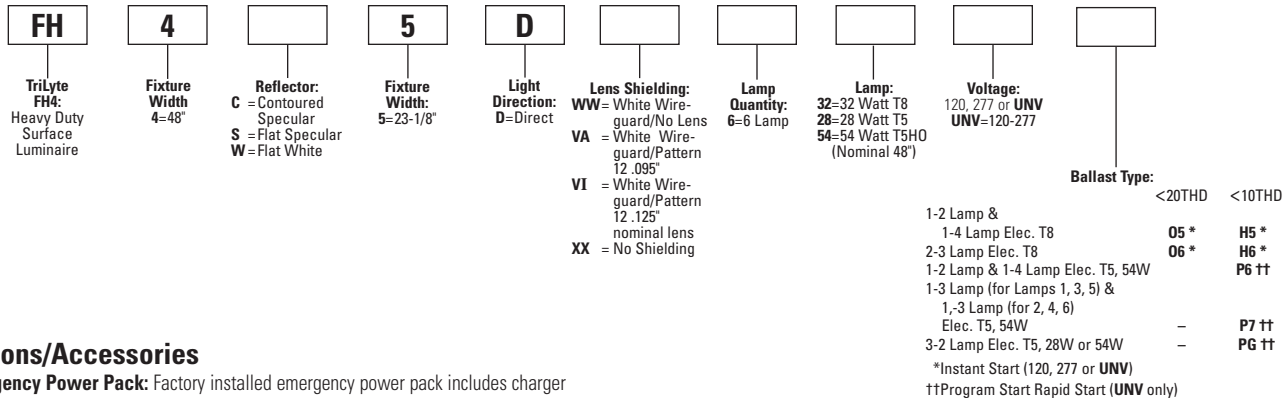
ZONE	LUMENS	% LAMP	% FIXT
0- 30	8366	31.69	35.20
0- 40	12823	48.57	53.96
0- 60	20088	76.09	84.53
0- 90	23765	90.02	100.00
40- 90	10941	41.45	46.04
60- 90	3677	13.93	15.47
90-180	0	.00	.00
0-180	23765	90.02	100.00

LUMINANCE DATA IN CANDELA/SQ. METER

AVERAGE IN DEG.	AVERAGE 0-DEG.	AVERAGE 45-DEG.	AVERAGE 90-DEG.
45	16677.	10661.	9582.
55	15454.	9036.	8422.
65	13548.	7806.	8924.
75	10192.	7480.	6560.
85	2203.	535.	0.

Ordering Information

Explanation of Catalog Number. Example: FH4C5DWW654UNVP6



Options/Accessories

Emergency Power Pack: Factory installed emergency power pack includes charger and inverter concealed in fixture channel. Upon lost of AC power, operates one lamp at high lumen output for a period of 90 minutes. Catalog Number: **LP600** (std. Bodine LP600).

Electrical Wiring Options: Consult factory.

Stem and Canopy Kits: Suspend luminaire 12", 18", 24", 36" and 48" from surface. (Four per luminaire is recommended. Catalog Number: **ASC6 CSP** (6"),

ASC12 CSP (12"), **ASC18 CSP** (18"), **ASC24 CSP** (24").

Chain Suspension Option: 24" Chain Suspension Kit (Two per fixture is required). Catalog Number: **EE9HC**.

Sensors: Order Catalog Number: **FH360** for Line Voltage Sensor. (Sold separately / Field installed).

Specifications

Materials: Chassis parts are die-formed code 20 gauge cold rolled steel.

Finish: Chassis exterior - post painted in a baked polyester powdercoat finish.

Cavity - white baked polyester powdercoat, minimum reflectance 86%.

Specifications (continued)

Reflector - contoured or flat design specular reflector. 95% reflectivity.

Electrical: Thermally protected class "P" ballast C.B.M. approved, non PCB. If K.O. is within 3" of ballast, use wire suitable for at least 90°.

UL Listed for damp locations.

Labels: I.B.E.W./UL and ULc Listed.

Job Information Type:

Lightolier a Genlyte company www.lightolier.com
Technical Information: (978) 657-7600 • Fax (978) 658-0595
631 Airport Road, Fall River, MA 02720 • (508) 679-8131 • Fax (508) 674-4710
We reserve the right to change details of design, materials and finish.
© 2006 a Genlyte company **Section 7/Folio Q40-15**

LIGHTOLIER