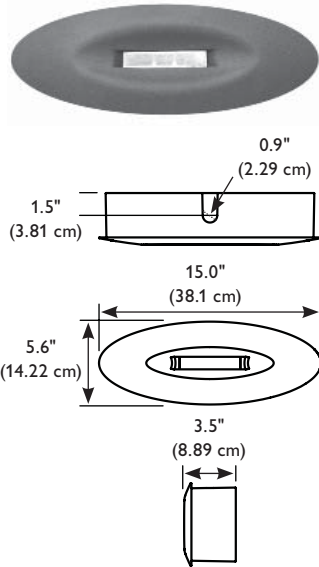


# SURF Ceiling Series

## White LED Architectural Lighting

### SURFCNBR31KSD2



### Features

**Illumination:** Illumination is provided by two field-replaceable, independently powered white LED modules and a vacuum plated polycarbonate reflector. The reflector design has been optimized to produce one-foot candle average illumination along a 5'x27' path of egress, with multiple fixtures, when placed at a mounting height of 10' AFF.

**Housing:** Durable, die cast aluminum housing and cover with UV stabilized polycarbonate lens. A bar hanger kit is supplied standard to accommodate recessed ceiling mount applications. The unit may also be surface ceiling mounted directly or with the use of standard 3 1/2" or 4" octagonal or single gang junction box. A knockout is provided on the housing for conduit installations.

### Operating Temperature

**Range:** AC-Only and 2-CKT Models - Damp Location: -40°F (-40°C) to 104°F (40°C)  
Self-Powered Models - Damp Location: 32°F (0°C) to 104°F (40°C)

### Diagnostic Electronics

**(standard):** 120/277 VAC dual voltage input with surge protection is standard on all AC models. On self-powered models, charging system is microprocessor driven with software embedded diagnostic routine and temperature compensation. 120/277 VAC input, surge protection, brownout, AC lockout and low voltage disconnect features are standard.

### Self-Testing Diagnostics

**(optional):** The diagnostic/charging platform with optional self-testing mode automatically runs a one-minute self-test every 30 days and a 30-minute test on the sixth and twelfth month. A one-minute or 90-minute test may be initiated via the push to test switch on the unit or by activating the appropriate test command on the optional IR test device.

### Electrical Specifications:

AC Only Models:  
0.203A (120 VAC)  
0.087A (277 VAC)  
Self-Powered Models:  
0.198A (120 VAC)  
0.088A (277 VAC)

**Battery:** Maintenance-free sealed nickel metal hydride with 10-year life.

### Code Compliance

UL 924 and UL damp location listed standard. NFPA 101, NEC, BOCA, OSHA and IBC illumination standards. UL 1598 Non-IC.

### Warranty

Three year full electronics warranty. Five year full plus five year prorated NiMH battery warranty.

Job Information	Type:
Job Name:	
Cat. No.:	
Notes:	

# SURF Ceiling Series

## White LED Architectural Lighting

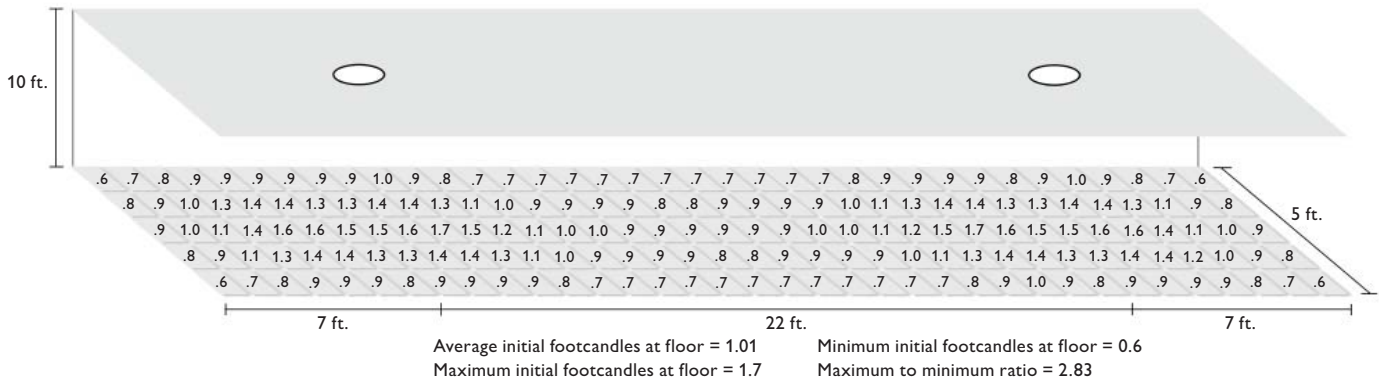
### Ordering Information

<b>SURF</b>	<b>C</b>				<b>SD2</b>	
Series	Mounting	Battery	Housing Finish	LED Designator	Model Designator	Factory Installed Options
<b>SURF</b> = SURF Series White LED Luminaire	<b>C</b> = Ceiling Mount	<b>A</b> = AC Only <b>N</b> = Nickel Metal Hydride Battery (NiMH)	<b>W</b> = White <b>B</b> = Black <b>A</b> = Aluminum <b>G</b> = Gunmetal <b>BR</b> = Ornamental Bronze <b>AC</b> = Aged Copper <b>VG</b> = Velvet Green <b>N</b> = Nickel <b>GA</b> = Granite	<b>31K</b> = 3,100 Kelvin <b>65K</b> = 6,500 Kelvin	<b>SD2</b> = Diagnostic Electronics	<b>2CKT1</b> = Two-Circuit 120/120 VAC (AC only models) <b>2CKT2</b> = Two-Circuit 277/277 VAC (AC only models) <b>DC</b> = Universal 12-48 VDC Remote Emergency Input (AC only models) <b>EX</b> = Special Input Transformer (specify voltage & frequency) <sup>1</sup> <b>RT</b> = Rectangular Trim Plate <b>T</b> = Self-Testing Diagnostics (non-audible) <b>TA</b> = Audible Self-Testing Diagnostics <b>TP</b> = Tamperproof
<b>Accessories (order as a separate item)</b>						
<b>SDREMOTE</b> = Infrared Remote Test Device						
<b>T15TPTOOL</b> = Tamperproof Driver and Bit						

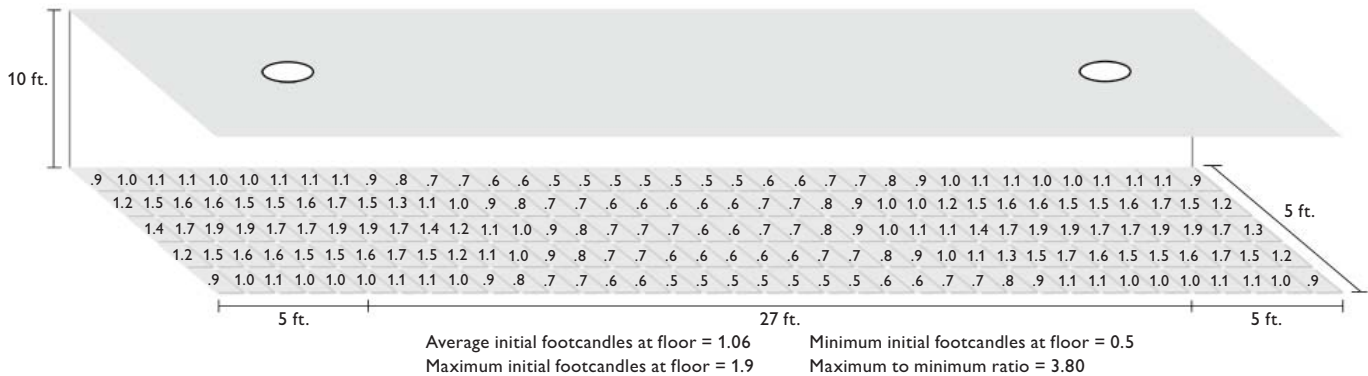
Note  
1) Some options impact UL listing. Consult factory for specifics.

### Optics

Recessed Ceiling Mount in AC Mode, 10' AFF, Two Fixtures



Recessed Ceiling Mount in Emergency Mode, 10' AFF, Two Fixtures



\* The optics layout shown is intended to be used as reference only. Standard reflectances used were 80/50/20. Lightolier is not responsible for site specific conditions that may alter the results.



Philips Lightolier  
e: lol.webmaster@philips.com  
t: (508) 679-8131  
w: www.lightolier.com

Surf Ceiling Series May 1, 2012

Specifications are subject to change without notice.  
© Koninklijke Philips Electronics N.V., 2012. All rights reserved.

**Job Information Type:**