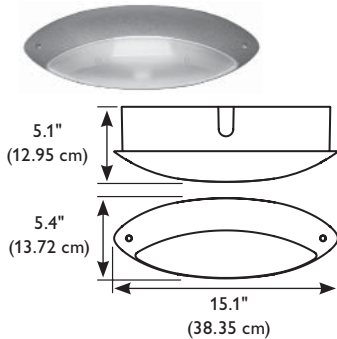


SURF Wall Series

White LED Low-Level Architectural Lighting

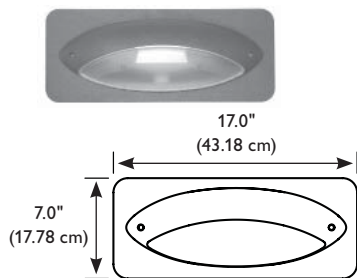
SURFWNBR31KSD2

Surface Mounted



SURFWNBR31KSD2CPS

Recessed Mounted



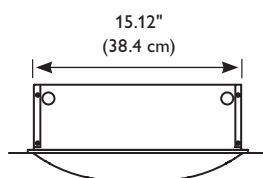
SURFWNBR31KSD2CPR

Recessed Mounted

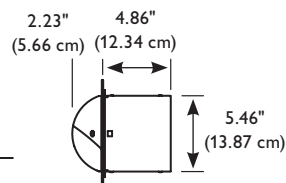


Recessed Backbox Dimensions

Top View



Side View



Features

Illumination: Normal and emergency illumination are provided by two field-replaceable white LED modules driven in parallel and a vacuum-plated polycarbonate reflector.

Housing: Durable, die cast aluminum housing and cover with UV stabilized polycarbonate lens. Exterior, recessed mount applications shall be ordered and installed with the UL-approved concrete-pour backbox option with powder coated stamped aluminum trimplate. The backbox shall be made available with the product or ordered ahead of time for rough-in work. The width of the backbox replaces a standard cinder block. Surface conduit entry knockout located on top of housing.

Operating Temperature Range:

AC-Only Models
Standard Wet Location:
-40°F (-40°C) to 104°F (40°C)
Self-Powered Models
Standard Wet Location:
32°F (0°C) to 104°F (40°C)
Wet Location w/ Heater:
-40°F (-40°C) to 104°F (40°C)

Diagnostic Electronics

(standard): 120/277 VAC dual voltage input with surge protection is standard on all AC models. On self-powered models, charging system is microprocessor driven with software embedded diagnostic routine and temperature compensation. 120/277 VAC input, surge protection, brownout, AC lockout and low voltage disconnect features are standard.

Self-Testing Diagnostics

(optional): The diagnostic/charging platform with optional self-testing mode automatically runs a one-minute self-test every 30 days and a 30-minute test on the sixth and twelfth month. A one-minute or 90-minute test may be initiated via the push to test switch on the unit or by activating the appropriate test command on the optional IR test device.

Electrical Specifications:

AC Only and 2 Circuit Models:
0.203A (120 VAC)
0.087A (277 VAC)
Self-Powered Models:
0.203A (120 VAC)
0.088A (277 VAC)
Self-Powered Models with Heater:
0.366A (120 VAC)
0.148A (277 VAC)

Battery: Maintenance-free sealed nickel metal hydride with 10-year life.

Code Compliance

UL 924 and UL wet location listed standard. NFPA 101, NEC, BOCA, OSHA and IBC illumination standards. UL 1598 poured concrete approved. ADA compliant when recessed mounted.

Warranty

Three year full electronics warranty. Five year full plus five year prorated NiMH battery warranty.

Job Information	Type:
Job Name:	
Cat. No.:	
Notes:	

SURF Wall Series

White LED Low-Level Architectural Lighting

Ordering Information

SURF	W				SD2	
Series	Mounting	Battery	Housing Finish	LED Designator	Model Designator	Factory Installed Options
SURF = SURF Series White LED Luminaire	W = Wall Mount	A = AC Only N = Nickel Metal Hydride Battery (NiMH)	W = White B = Black A = Aluminum G = Gunmetal BR = Ornamental Bronze AC = Aged Copper VG = Velvet Green N = Nickel GA = Granite	31K = 3,100 Kelvin 65K = 6,500 Kelvin	SD2 = Diagnostic Electronics	2CKT1 = Two-Circuit 120/120 VAC (AC only models) 2CKT2 = Two-Circuit 277/277 VAC (AC only models) CPR = Concrete-Pour Backbox, Rounded Trimplate ¹ CPS = Concrete-Pour Backbox, Squared Trimplate ¹ DC = Universal 12-48 VDC Remote Emergency Input (AC only models) EX = Special Input Transformer (specify voltage & frequency) ² HR = Heater Option for -40°C to 40°C Ambient T = Self-Testing Diagnostics (Nickel Metal Hydride units only) TA = Audible Self-Testing Diagnostics (Nickel Metal Hydride units only)

Accessories (order as a separate item)

SDREMOTE = Infrared Remote Test Device

T10TPTOOL = Tamperproof Driver and Bit

RCPBBXX* = Concrete Pour Back Box, Rounded Trimplate

SCPBBXX* = Concrete Pour Back Box, Squared Trimplate

* Fill in Housing Finish color for "XX" to order matching trimplate color.

Note

1) Concrete-pour backboxes may be ordered for rough-in. See Accessories.

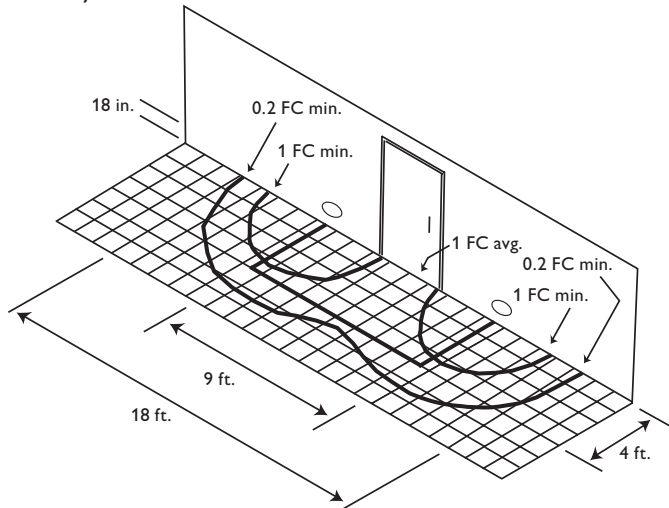
If backboxes are installed, omit ordering with CPR/CPS.

2) Some options impact UL listing. Consult factory for specifics.

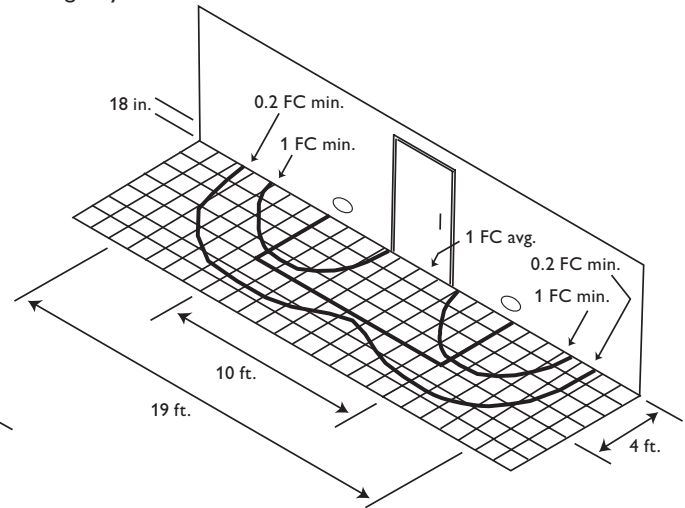
Optics

Wall mounted 18" AFF

AC Only Mode



Emergency Mode



* The optics layout shown is intended to be used as reference only. Standard reflectances used were 80/50/20. Lightolier is not responsible for site specific conditions that may alter the results.



Philips Lightolier
e: lol.webmaster@philips.com
t: (508) 679-8131
w: www.lightolier.com

SurfWall Series May 1, 2012

Specifications are subject to change without notice.

© Koninklijke Philips Electronics N.V., 2012. All rights reserved.

Job Information Type: