

STG SERIES

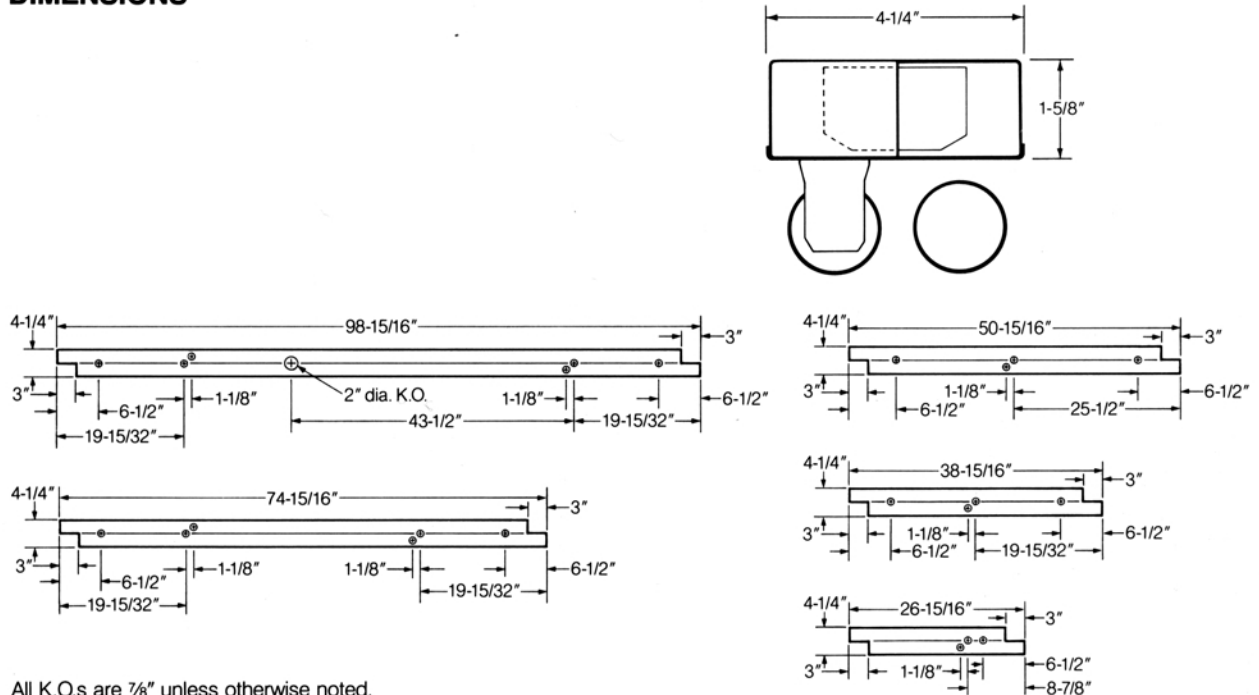
STAGGERED STRIP

4 1/4" WIDE, 1 5/8" DEEP, NOMINAL 27", 39", 51", 75", 99" LENGTHS
TWO LAMP
RAPID START, TRIGGER START

- Full 3" overlap eliminates shadows caused by lampholders or lamp ends.
- Housing is only 1 5/8" deep.
- Safe-handling metal edges.
- Fully enclosed wireway.
- Excellent for perimeter cove lighting or other applications where continuous even illumination is required.



DIMENSIONS



All K.O.s are 7/8" unless otherwise noted.

| FIXTURE TYPE | VOLTS |
|------------------------|-------|
| | |
| | |
| | |
| JOB INFORMATION: _____ | |
| _____ | |
| _____ | |

LIGHTOLIER
a GENYTE company

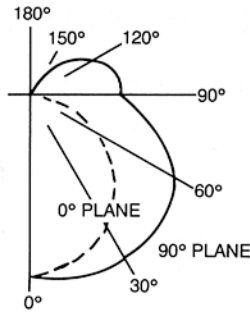
STG SERIES

STAGGERED STRIP

4 1/4" WIDE, 1 5/8" DEEP, NOMINAL 27", 39", 51", 75", 99" LENGTHS

PHOTOMETRY

REPORT NO: G86118
 CATALOG NO: STG240RS
 LAMP TYPE: 2F40T12/CW
 LUMENS PER LAMP: 3150
 TOTAL EFFICIENCY: 89.7%
 CIE TYPE: Semi-Direct
 SPACING CRITERIA: 1.6
 SHIELDING ANGLE: 180



MODEL NO. STG240RS

coefficients of utilization — zonal cavity method

| RF | 20 | | | 20 | | | 20 | | |
|----|----|----|----|----|----|----|----|----|----|
| RC | 80 | | | 50 | | | 30 | | |
| RW | 70 | 50 | 30 | 50 | 30 | 10 | 50 | 30 | 10 |
| 1 | 92 | 87 | 82 | 76 | 73 | 70 | 69 | 67 | 64 |
| 2 | 83 | 75 | 68 | 65 | 60 | 56 | 59 | 55 | 52 |
| 3 | 75 | 65 | 57 | 57 | 51 | 46 | 52 | 47 | 43 |
| 4 | 68 | 57 | 49 | 50 | 44 | 39 | 46 | 41 | 36 |
| 5 | 62 | 50 | 42 | 44 | 37 | 32 | 40 | 35 | 30 |
| 6 | 57 | 44 | 36 | 39 | 32 | 27 | 36 | 30 | 26 |
| 7 | 52 | 40 | 31 | 35 | 28 | 24 | 32 | 26 | 22 |
| 8 | 48 | 35 | 28 | 31 | 25 | 20 | 29 | 23 | 19 |
| 9 | 44 | 32 | 24 | 28 | 22 | 17 | 26 | 20 | 16 |
| 10 | 41 | 29 | 21 | 26 | 19 | 15 | 23 | 18 | 14 |

ORDERING INFORMATION Explanation of Catalog Number Example: STG220TSHPF120LEGLR

| | | | | | | |
|--|--------------------------|--|--|------------------------|--|---|
| STG | 2 | | HPF | | | |
| STAGGERED CHANNEL STRIP: 4 1/4" Wide 1 5/8" Deep Channel | NUMBER OF LAMPS IN WIDTH | LAMP/FIXTURE LENGTH/WATTS: 20TS = (nominal 27") 20 Watts 30RS = (nominal 39") 30 Watts 40RS = (nominal 51") 40 Watts 30-6* = (nominal 75") 30 Watts (4 lamps in tandem) 40-8* = (nominal 99") 40 Watts (4 lamps in tandem) | BALLAST TYPE: HPF=High Power Factor | VOLTAGE: 120 or 277 | BALLAST: P=Standard Electro-magnetic (20 or 30 watt only) LE = Energy Saving OC = Octic SS = Electronic SO = Electronic Octic O4 = 1-4 Lamp Octic | OPTIONS: Add appropriate suffix to catalog no., i.e. (GLR) |

*Project applications only. Consult factory.

OPTIONS/ACCESSORIES

FUSING: Internal fast-blow fusing. SUFFIX: GLR.
 Internal slow-blow fusing. SUFFIX: GMF.

ELECTRICAL/WIRING OPTIONS: Consult factory.

RADIO INTERFERENCE FILTER: 120 or 277 volt, 50 or 60 Hz. One per fixture standard. SUFFIX: RF.

SPECIFICATIONS

MATERIALS: Chassis parts are die-formed code gauge cold rolled steel, 1 5/8" deep, 4 1/4" channel width.
 FINISH: Chassis exterior phosphate undercoating, baked white polyester enamel. 84% minimum reflectivity.
 ELECTRICAL: Rapid start HPF, LE (energy saving where applicable)

thermally protected class "P" ballast C.B.M. certified by E.T.L. If K.O. is within 3" of ballast, use wire suitable for at least 90°. LABELS: I.B.E.W. Listed by Underwriters Laboratories. Suitable for indoor dry and damp locations.

We reserve the right to change design, materials and finish in any way that will not alter installed appearance or reduce function and performance.

LIGHTOLIER®

a GENLYTE company

TECHNICAL INFORMATION • (508) 657-7600
 100 LIGHTING WAY, SECAUCUS, NJ 07094 • (201) 864-3000
 C.F.I. DIVISION OF CANLYTE, INC.
 525 EDUCATION ROAD, CORNWALL, ONTARIO
 CANADA K6H 6C7 • (613) 938-6221