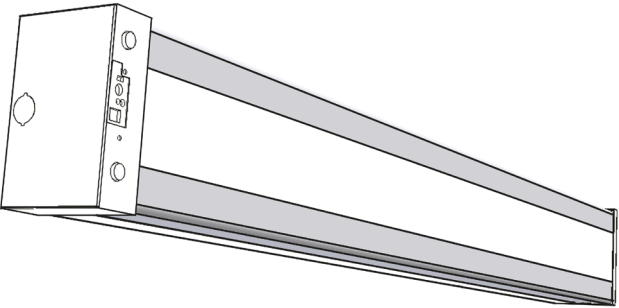
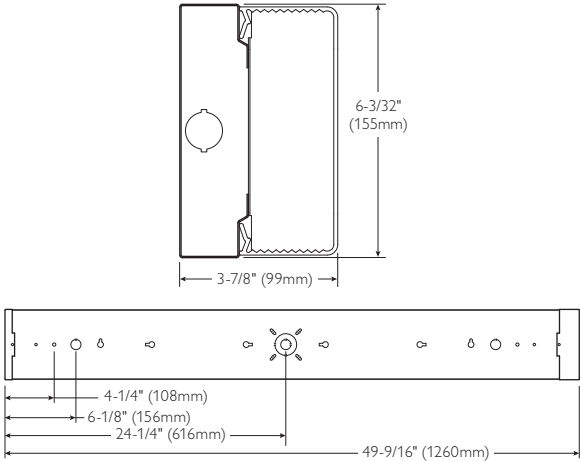


Wall/Ceiling Mounted Luminaire, LED



Ordering Information

Stairwell	Fixture Length	Lens Type	Lumen Category	Color Temp.	Voltage	Driver Type	Sensor Type	Options
SF Surface Luminaire	4 4 = 48" (Nominal size)	C C = White Composite Acrylic Lens	23A = 2300 lumens 28A = 2800 lumens 33A = 3300 lumens 38A = 3800 lumens (Approximate delivered values. Consult IES file)	40 40 = 4000K Consult representative for other color temperature options. (Approximate values. Consult IES file)	U U = Universal 120-277v	LAG = LED Driver MKB = Bi-level step LED Driver. (38A Only)	US = Ultra Sonic OC = Infrared	Consult factory.

Features

- Ideal for stairwells, restrooms, laundry rooms, storerooms and other areas where maximum light levels are not required on a constant basis.
- Bi-level luminaire operates at full light output when space is occupied, offering safety and security with full light output only as needed and switches to a low standby light level, providing energy conservation when the space is vacant.
- Optional integrated Low Voltage Ultrasonic (40Khz) Occupancy Sensor or Infrared Occupancy Sensor allowing bi-level light output operation.
- Optional sensor also allows for On or Off functionality.
- High efficiency LEDs have 50,000 hour rated life at L₇₀.
- Predicted L70 lifetime is based on LED manufacturer's supplied LM-80 data and in-situ laboratory testing.
- Only 3 7/8" deep, meets Americans with Disabilities Act for wall mounted fixtures.
- Concealed spring assisted pressure latching retains lens.
- 20 gauge cold rolled steel post painted baked white enamel end caps.
- Consult local code authority for applications where Stairwell luminaire will be used as emergency lighting.
- Five-year warranty on luminaire, LED boards and driver.

Job Information	Type:
Job Name:	
Cat. No.:	
Notes:	

Wall/Ceiling Mounted Luminaire, LED

Specifications

Materials: Chassis Parts—Die-formed code gauge cold rolled steel. **End Caps**—20 gauge cold rolled steel.

Finish: Chassis Exterior—Post painted white baked acrylic enamel. **End Caps**—Post painted baked white enamel. Rust preventative undercoating.

Lenses: C—1/8" thick DR acrylic, unique co-extrusion, white opaque center, linear prisms to spread up/down light.

Electrical: LED boards and drivers are RoHS (Restriction of Hazardous Substances) compliant. For dimming options consult factory.

Labels: I.B.E.W. UL and ULc Listed.

Options/Accessories

Electrical Wiring Options: Consult factory.

Sensor Options

US—Ultrasonic Occupancy Sensor



- Ultrasonic technology (40Khz) Ultrasonic detection operates by transmitting sound waves throughout an area and measuring the speed at which they return.

OC—Infrared Occupancy Sensor



- Adjustable time delay from 30 seconds to 30 minutes.
- Fixed sensitivity optimized for FS-LxW lens coverage.
- RoHS compliant.
- Light level daylighting feature from 10-120 fc.

Job Information	Type:
------------------------	--------------

PHILIPS

LIGHTOLIER

Stairwell

Wall/Ceiling Mounted Luminaire, LED

Photometry

Report Number¹: G2011228
 Catalog Number: SF4C33A40ULAG
 Delivered Lumens: 3348
 Correlated Color Temp.²: 4000K
 Input Watts: 45.0
 Efficacy: 74.4 lm/w
 CRI: 80 minimum
 Lamp: LED
 Luminaire: Stairwell LED.

¹ Tested using absolute photometry as specified in LM79: IESNA Approved Method for the Electrical and Photometric Measurements of Solid-State Lighting Products.
² Correlated Color Temperature within specs as defined in ANSI/NEMA/ANSI C78.377-2008: Specifications for the Chromaticity of Solid State Lighting Products.

Candela Distribution

Vertical Angle	Horizontal Angle			Zonal Lumens
	0	90	180	
0	478	478	478	
5	499	483	466	46
15	535	457	432	133
25	556	408	368	201
35	560	343	301	245
45	547	272	232	260
55	517	201	164	249
65	474	135	102	219
75	424	78	52	178
85	378	33	12	137
90	363	20	2	
95	387	37	10	141
105	436	82	49	183
115	485	138	100	223
125	525	202	162	252
135	551	272	231	262
145	559	341	301	244
155	550	403	366	199
165	526	449	420	130
175	486	474	454	45
180	466	466	466	

Coefficients of Utilization

Ceiling Wall	80%			50%			30%			
	70	50	30	50	30	10	50	30	10	
RC	Zonal Cavity Method									
RW	Effective Floor Reflectance = 20%									
Room Cavity Ratio	1	96	91	86	70	67	65	58	56	54
	2	87	79	72	61	56	52	50	47	44
	3	79	69	61	53	48	43	44	40	36
	4	72	60	52	47	41	37	39	34	31
	5	66	54	45	42	36	31	35	30	26
	6	61	48	39	38	32	27	31	27	23
	7	56	43	35	34	28	24	28	24	20
	8	52	39	31	31	25	21	26	21	18
	9	48	36	28	28	23	19	24	19	16
	10	45	33	25	26	21	17	22	18	14

Zonal Lumen Summary*

Zone	Lumens	% Lamp	% Fixt.
0-30	380	11.3	11.3
0-40	625	18.7	18.7
0-60	1133	33.9	33.9
0-90	1668	49.8	49.8
90-120	547	16.4	16.4
90-130	800	23.9	23.9
90-150	1306	39	39
90-180	1680	50.2	50.2
0-180	3348	100	100

*Total Efficiency

Average Luminance data in candela / sq. meter

Angle	0°	45°	90°
45	3085.	4940.	1309.
55	2744.	4292.	870.
65	2445.	3631.	526.
75	2193.	2955.	269.
85	2021.	2228.	64.

Additional Ordering Information

Catalog Number	Delivered Lumens	Input Watts	Lumens per Watt
SF4C23A40ULAG	2323	30.3	76.9
SF4C28A40ULAG	2840	38.4	73.5
SF4C33A40ULAG	3348	45.1	74.4
SF4C38A40ULAG	3828	52.5	72.9



Philips Lightolier
 e: lol.webmaster@philips.com
 t: (508) 679-8131, Technical info. (978) 657-7600
 w: www.lightolier.com

Stairwell LED SF4C March 8, 2012

Specifications are subject to change without notice.
 © Koninklijke Philips Electronics N.V., 2012. All rights reserved.

Job Information Type: