

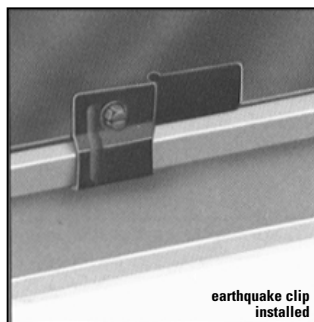
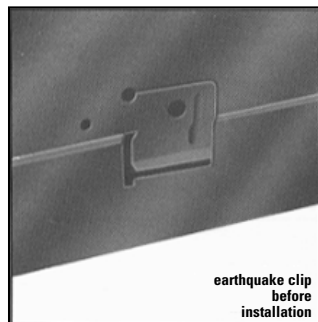
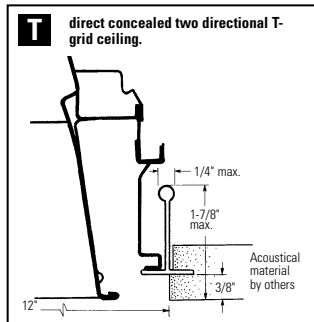
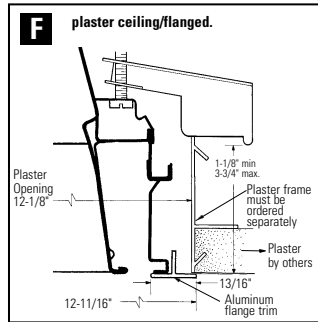
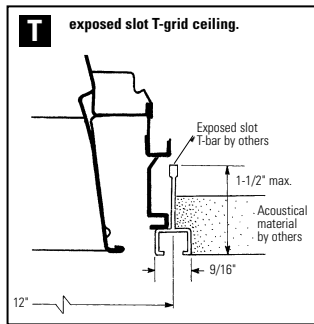
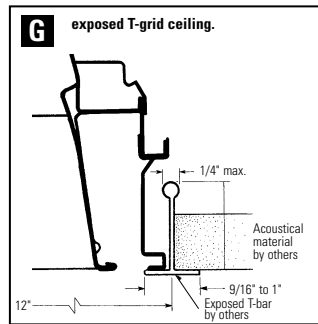
# STACKLYTE STA 1'x4' 2 LAMP

## Features

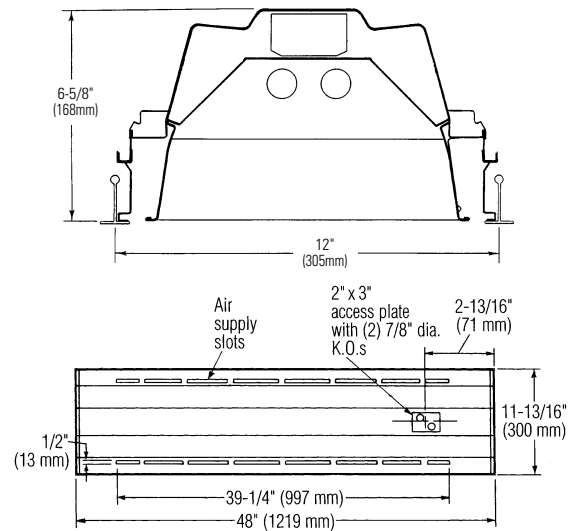
- Excellent for lighting library bookshelves, 97.5% of fixtures distribution is in the 0°-60° zone.
- Meets IES RP1 for lighting VDT areas with normal use.
- 68.4% efficient (T8 - 8 cell).
- Semi-specular low iridescence pre-anodized louver.
- Vertical grain on louver eliminates reflected lamp image on cross baffle.
- Louver frame with integral positive light stop.
- Spring loaded latches (self centering).
- Louver has protective dust guard.
- Black housing exterior for cooler ballast operating temperature.
- Turned-in edges for safe handling.
- Built-in earthquake clip.
- UL-Listed twin knockout access plate.
- Air closure strips (optional).
- Construction to meet NYC Code or Chicago Plenum is available.



## MOUNTING METHODS



## DIMENSIONS



## Job Information

## Type:

**Job Name:**

**Cat. No.:**

**Lamp(s):**

**Volts/Ballast:**

Lightolier a Genlyte Thomas Company

www.lightolier.com

Technical Information: (978) 657-7600 • Fax (978) 658-0595

631 Airport Road, Fall River, MA 02720 • (508) 679-8131 • Fax (508) 674-4710

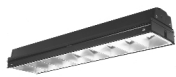
We reserve the right to change details of design, materials and finish.

© 2002 Genlyte Thomas Group LLC (Lightolier Division)

A0902

Section 2/Folio G40-16 REV. A

LIGHTOLIER®



# STACKLYTE STA 1'x4' 2 LAMP

## 1'x4' RECESSED FLUORESCENT, 3" DEEP, 8 OR 12 CELL PARABOLIC LOUVER STATIC OR AIR SUPPLY/RETURN, IES RP1 FOR NORMAL VDT USE

LER = FL - 55.0 IW - 61.9 BF - 0.88  
Comparative yearly lighting energy cost per 1000 lumens = \$4.36

### PHOTOMETRY

MODEL NO. STA1G8LR232120SO

**TESTING LABORATORY**  
45 Industrial Way  
Wilmington, MA 01897  
(978) 657-7600

REPORT NO.: G97035 DATE: 10/30/97  
CATALOG NO.: STA1G8LR232 SO  
LAMP(S): 2 F032TB, EACH RATED 2850 LUMENS.  
LUMINAIRE: STACKLYTE 8 CELL SEMISPEC LOUVER  
SPECULAR REFLECTOR W/ KOTOROLA  
MERNB111J120 BALLAST

45 Industrial Way  
Wilmington, MA 01897  
(978) 657-7600

REPORT NO.: G97035 DATE: 10/30/97  
CATALOG NO.: STA1G8LR232 SO  
LAMP(S): 2 F032TB, EACH RATED 2850 LUMENS.  
LUMINAIRE: STACKLYTE 8 CELL SEMISPEC LOUVER  
SPECULAR REFLECTOR W/ KOTOROLA  
MERNB111J120 BALLAST

CANDELA DISTRIBUTION FLUX

0	0	22.5	45.0	67.5	90.0	
0	1459	1459	1459	1459	1459	
5	1449	1492	1563	1631	1659	154
15	1395	1638	1981	2154	2208	537
25	1272	1748	2102	2175	2162	887
35	1078	1638	1750	1707	1682	1008
45	829	1295	1179	959	882	822
55	520	707	472	227	115	395
65	53	93	74	47	27	79
75	14	15	13	11	9	14
85	4	4	3	3	2	4
90	0	0	0	0	0	0

6 5/8" 12"

75° 65° 45° 30° 15° 0°

2250 1165 582.5

0-DEG: 1165  
45-DEG: 582.5  
90-DEG: 2250

ZONAL LUMEN SUMMARY

ZONE	LUMENS	%LAMP	%EXIT
0-30	1579	27.7	40.5
0-40	2586	45.4	66.3
0-50	3803	66.7	97.5
0-90	3900	68.4	100.0
90-180	0	0.0	0.0
0-180	3900	68.4	100.0

TOTAL LUMINAIRE EFFICIENCY = 68.4 %  
TOTAL REFLECTANCE OF PAINT = 95.0 %  
CIE TYPE - DIRECT

SPACING CRITERIA : 0-DEG 90-DEG  
PLANE : 1.2 1.6  
PLANE : 0-DEG 90-DEG  
LUMINOUS LENGTH : 46.250 9.500

LUMINANCE DATA IN CANDELA/SQ M  
ANGLE AVERAGE AVERAGE AVERAGE

IN DEG	0-DEG	45-DEG	90-DEG
45	4134	5880	4399
55	1197	2902	707
65	442	617	225
75	191	177	123
85	162	121	81

THIS REPORT IS BASED ON PUBLISHED INDUSTRY PROCEDURES • FIELD PERFORMANCE MAY DIFFER FROM LABORATORY PERFORMANCE

### coefficients of utilization — zonal cavity method

RF	20			20			20			
RC	80			50			30			
RW	70	50	30	50	30	10	50	30	10	
room cavity ratio	1	77	74	72	70	68	67	67	66	65
2	71	67	64	64	61	59	61	59	57	
3	66	61	56	58	54	52	56	53	51	
4	62	55	50	53	49	46	51	48	45	
5	57	50	45	48	44	41	47	43	40	
6	53	46	40	44	40	36	43	39	36	
7	50	42	37	40	36	33	39	35	32	
8	47	38	33	37	33	29	36	32	29	
9	44	35	30	34	30	27	34	30	27	
10	41	33	28	32	27	24	31	27	24	

### VERTICAL FOOTCANDLES ON BOOK SHELVES

Ceiling	1'				2'				3'				4'			
	0	1	2	3	0	1	2	3	0	1	2	3	0	1	2	3
1.00	84.9	85.1	85.2	85.0	84.8	85.0	85.1	85.1	84.9	85.1	85.1	85.1	85.1	85.1	85.1	84.9
2.00	64.5	63.9	64.1	64.2	64.3	64.2	64.1	63.8	64.5							
3.00	50.1	50.2	50.1	50.1	50.2	50.1	50.1	50.2	50.1							
4.00	41.3	41.2	41.3	41.3	41.3	41.3	41.3	41.2	41.2							
5.00	36.8	36.7	36.8	36.7	36.7	36.7	36.8	36.7	36.8							
6.00	32.1	32.1	32.1	32.1	32.1	32.1	32.1	32.1	32.1							
7.00	28.9	28.9	28.9	28.9	28.9	28.9	28.9	28.9	28.9							
8.00	27.5	27.5	27.5	27.5	27.4	27.5	27.5	27.5	27.5							
9.00	25.9	25.8	25.8	25.8	25.8	25.8	25.8	25.8	25.9							
10.00	23.9	23.8	23.8	23.8	23.8	23.8	23.8	23.8	23.8							
11.00	21.1	21.1	21.1	21.1	21.1	21.1	21.1	21.1	21.1							
12.00	17.5	17.5	17.5	17.5	17.5	17.5	17.5	17.5	17.5							
Floor																

Book shelf aisle width, 36"

### ORDERING INFORMATION

Explanation of Catalog Number. Example: STA1G8LR232120SOGLR

To meet NYC Code requirements prefix catalog number with (N).

BLANK = Standard N = NYC Code	<b>ST</b>	<b>1</b>				<b>R</b>	<b>2</b>					
<b>STACKLYTE:</b> 3" Deep Precision Contoured Pre-anodized Aluminum Louver	<b>BODY STYLE:</b> A=Air Handling S=Static	<b>CEILING TYPE:</b> G=Grid (lay-in T bar) F=Flanged (overlap) Z spline and plaster frame	<b>LOUVER FINISH:</b> L=Low Iridescence Semi-specular (standard) P=Low Iridescence specular	<b>NUMBER OF CELLS:</b> 8=1 row of 8 cells 12=1 row of 12 cells	<b>REFLECTOR:</b> R=Specular 95% Reflective	<b>LAMP/ FIXTURE LENGTH:</b> 32=T8 34=T12 (Nominal 48")	<b>VOLTAGE:</b> 120 or 277	<b>BALLAST TYPE:</b> LE <20THD SO* PS	<b>OPTIONS:</b> Add appropriate suffix to catalog no. ie: (GLR)			

Other dimming options. Consult factory. \*Instant Start Standard

### OPTIONS & ACCESSORIES

- ACCESS PLATE:** Top Wiring access plate is shipped with fixture as standard. When access plates are required in advance for wiring convenience, specify separately. Order Catalog Number: **ACP CSP**.
- ELECTRICAL WIRING OPTIONS:** Consult factory.
- FUSING:** Internal fast-blow fusing. SUFFIX: **GLR**.  
Internal slow-blow fusing. SUFFIX: **GMF**.
- RADIO INTERFERENCE FILTER:** 120 or 277 volt, 50 or 60 Hz. One per fixture standard. SUFFIX: **RF**.
- SPLAY TRIM:** For T ceiling type only. SUFFIX: **CTZ14**.
- PLASTER FRAMES:** F type fixtures do not include plaster frames. For individual or continuous mounting, specify **PF14** universal frame per fixture.
- AIR CLOSURE STRIPS:** SUFFIX **ACS4** (factory installed).
- DRYWALL KIT:** Order Catalog Number: **FK91X4**. Request Folio OA30-10.
- CHICAGO PLENUM:** SUFFIX: **CP**.

### SPECIFICATIONS

**PERFORMANCE:** Luminaire distribution is to be a minimum of 97.5% in the 0°-60° zone. In an installation of 2 lamp 32W luminaires in a room cavity ratio of 1, reflectance 80% ceiling, 50% wall, 20% floor, the C.U. shall not be less than .80 with a spacing to mounting ratio of 1.6 perpendicular to the lamps. To meet IES RP1 recommended (basic) requirements for VDT areas the VCP (visual comfort probability) shall not be less than 90 either crosswise or lengthwise, and the maximum

### SPECIFICATIONS (continued)

average brightness at 65°, 75° and 85° shall not exceed 617, 191 and 162 candelas per square meter respectively in the 0°, 45° and 90° horizontal planes.

**AIR HANDLING:** (STA only) side air passages for air supply or air return. Optional side closure strips. Air return is also provided through the lamp compartment through fixture body ends.

**MATERIALS:** Chassis parts are die-formed embossed cold rolled steel. Housing is embossed for rigidity with all edges turned-in for safe handling.

**LOUVER:** Pre-anodized aluminum (Coilzak® or equal).

**FINISH:** Louver—semi-specular low iridescence pre-anodized reflector sheet. Reflector—95% reflective specular. Phosphate undercoating.

**Chassis exterior**—black baked polyester enamel.

**ELECTRICAL:** Thermally protected class "P" ballast C.B.M. approved, non PCB. If K.O. is within 3" of ballast, use wire suitable for at least 90°.

**LABELS:** I.B.E.W./UL and C-UL.

### Job Information Type:

**Lightlier** a Genlyte Thomas Company [www.lightlier.com](http://www.lightlier.com)  
Technical Information: (978) 657-7600 • Fax (978) 658-0595  
631 Airport Road, Fall River, MA 02720 • (508) 679-8131 • Fax (508) 674-4710  
We reserve the right to change details of design, materials and finish.  
© 2002 Genlyte Thomas Group LLC (Lightlier Division)  
A0902 **Section 2/Folio G40-16 REV. A**

# LIGHTLIER®