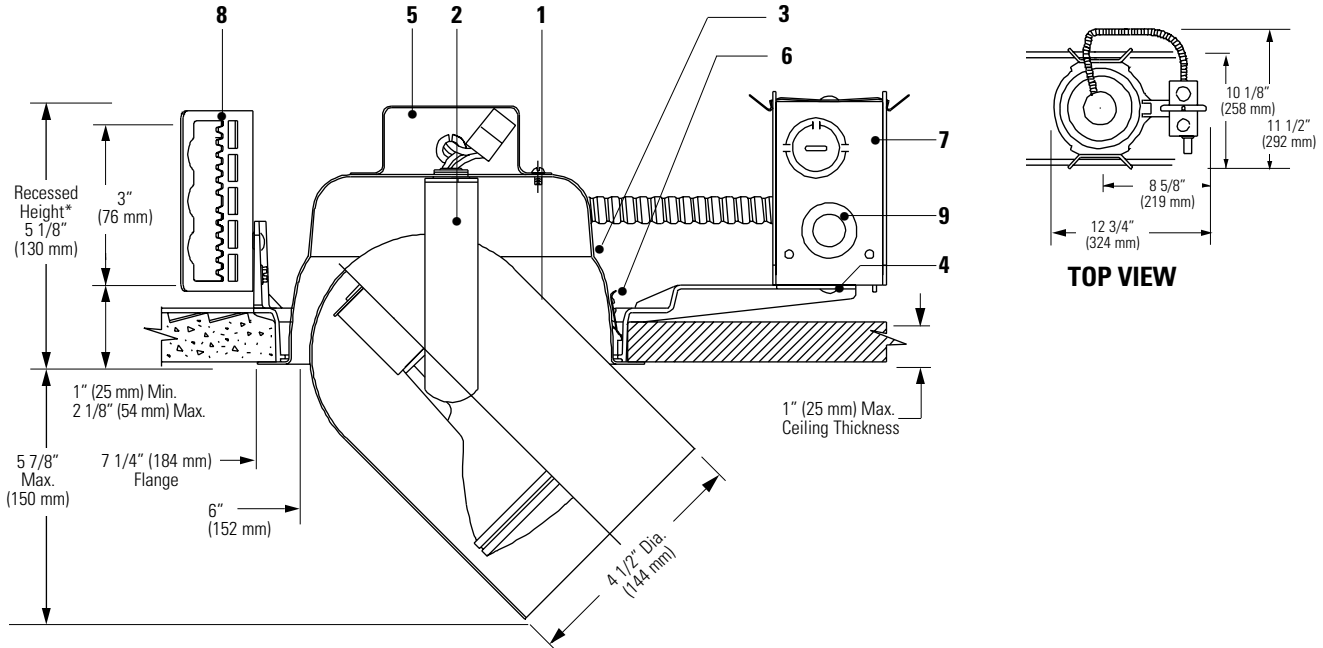


# Calculite® Incandescent Adjustable Accent **SRP30**



Ceiling Cutout: 6 1/2" Dia.

Catalog Number	Lamp	
SRP30	PAR30 70W (short / long neck) BR30 85W	<b>Housing Diameter:</b> 6 1/2" (165 mm) <b>Recessed Width Max.:</b> 12 3/4" (324 mm) <b>Recessed Width Min.:</b> 11 1/2" (292 mm) <b>Recessed Height:</b> 5 1/8" (130 mm)

- Cylinder:** Die-formed, heavy gauge aluminum. Round-back cylinder. Matte white exterior, matte black interior. 45° vertical and 358° horizontal adjustment.
- Yoke:** Die-formed steel, permanently tensioned with internal spring washers and vibration-resistant nuts. No exposed fasteners.
- Housing:** Hydroformed, heavy gauge aluminum. Matte white overlap flange.
- Mounting Frame:** Die-cast aluminum, for dry or plaster ceilings.
- Housing Cup:** Hydroformed, 0.05" aluminum. Mounts to housing; provided with quick plug-in electrical connectors. Prewired with #18 ga. AWM leads to junction box.
- Retaining Springs:** Precision-tooled steel friction springs secure housing to mounting frame for quick, tool-less installation.
- Junction Box:** 4" x 3 1/2" x 2", 14 ga. (0.063") die-formed galvanized steel. Can be inspected from below.
- Mounting Brackets:** 16 ga. galvanized steel. Adjust from inside of fixture. Use 3/4" or 1 1/2" lathing channel, 1/2" EMT, or optional Lightolier mounting bars (1950 or 1951).
- Thermal Protector:** Meets NEC and UL requirements. Thermal insulation shall not be installed within 3" (76 mm) of the recessed fixture enclosure, wiring compartment, and shall not be so installed above the fixture as to entrap heat and prevent the free circulation of air.

## Accessories / Options

<b>18" Mounting Bars</b>	<b>1950</b> (set of 2)
<b>27" Mounting Bars</b>	<b>1951</b> (set of 2)
<b>T-Bar Anchor Clips</b>	<b>1956</b> (set of 4, for 1950 & 1951 bars)
<b>Wood Joist Mtg. Bars</b>	<b>7994</b> (set of 2)
<b>Existing Ceiling Clips</b>	<b>7998</b> (set of 2)
<b>Step Down Transformer</b>	<b>7997</b> (see separate specification sheet)
<b>Chicago Air Plenum</b>	Consult Factory
<b>Fuse</b>	Consult Factory

## Electrical

Medium base porcelain socket, nickel plated screw shell; prewired with #18 ga. SF-1 leads with integral silicon sleeving. UL listed for maximum of (8) No. 12 AWG 75 °C through branch conductors or 60 °C conductors for end of run.

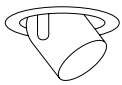
## Labels

UL Listed for damp locations, I.B.E.W.

Job Information	Type:
<b>Job Name:</b>	
<b>Cat. No.:</b>	
<b>Lamp(s):</b>	
<b>Notes:</b>	

Lightolier a Genlyte Thomas Company [www.lightolier.com](http://www.lightolier.com)  
 631 Airport Road, Fall River, MA 02720 • (508) 679-8131 • Fax (508) 674-4710  
 We reserve the right to change details of design, materials and finish.  
 © 2002 Genlyte Thomas Group LLC (Lightolier Division) • A0902

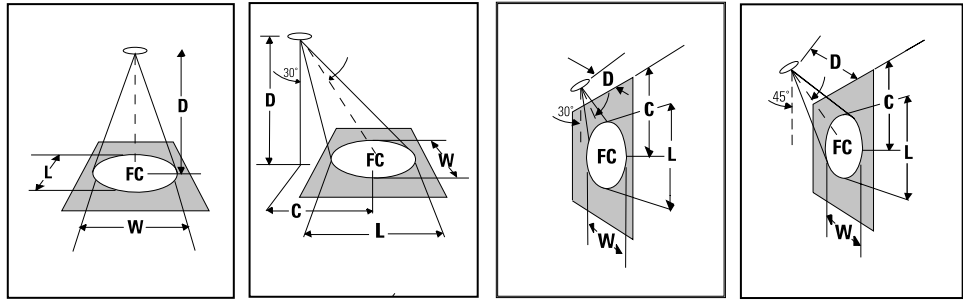
**LIGHTOLIER®**



## Accent Lighting Performance Data

**(FC)** is initial footcandles at center of beam. Beam length (**L**) and beam width (**W**) are to where the candlepower is reduced to 50% of the center beam candlepower.

**CBCP** is center beam candlepower.  
**(C)** is distance to the center of the beam.  
 Lamp data shown is typical, and is based on bare lamp photometrics. Contact lamp manufacturers for availability and performance.



Lamps	Beam Spread (To 50% CBCP)	CBCP	Rated Life (Hrs.)	0° Aiming Angle				30° Aiming Angle					30° Aiming Angle					45° Aiming Angle				
				D	FC	L	W	D	C	FC	L	W	D	C	FC	L	W	D	C	FC	L	W
 <b>70W PAR30 SP</b>	 <b>10°</b>	48000	9000	15'	213	2.6'	2.6'	10'	5.8'	312	2.3'	2.0'	5'	8.7'	240	3.6'	1.7'	8'	8.0'	265	2.8'	2.0'
				20'	120	3.5'	3.5'	15'	8.7'	139	3.5'	3.0'	8'	13.9'	94	5.7'	2.8'	12'	12.0'	118	4.2'	3.0'
				25'	77	4.4'	4.4'	20'	11.5'	78	4.7'	4.0'	11'	19.1'	50	7.9'	3.8'	16'	16.0'	66	5.6'	4.0'
				30'	53	5.2'	5.2'	25'	14.4'	50	5.8'	5.1'	14'	24.2'	31	10.0'	4.9'	20'	20.0'	42	7.8'	4.9'
 <b>70W PAR30 FL</b>	 <b>40°</b>	7000	8000	7'	143	5.1'	5.1'	6'	3.5'	125	6.1'	5.0'	2'	3.5'	219	9.7'	2.9'	4'	4.0'	155	6.7'	4.1'
				10'	70	7.3'	7.3'	9'	5.2'	58	9.1'	7.6'	3'	5.2'	97	14.5'	4.4'	6'	6.0'	69	10.1'	6.2'
				13'	41	9.5'	9.5'	12'	6.9'	32	12.2'	10.1'	4'	6.9'	55	19.3'	5.8'	8'	8.0'	39	13.4'	8.2'
				16'	27	11.6'	11.6'	15'	8.7'	20	15.2'	12.6'	5'	8.7'	35	24.2'	7.3'	10'	10.0'	25	16.8'	10.3'

**Job Information** **Type:**

Lightolier a Genlyte Thomas Company [www.lightolier.com](http://www.lightolier.com)  
 631 Airport Road, Fall River, MA 02720 • (508) 679-8131 • Fax (508) 674-4710  
 We reserve the right to change details of design, materials and finish.  
 © 2002 Genlyte Thomas Group LLC (Lightolier Division) • A0902