

Ordering Information

Family	Lamps	Length	Type	Mounting	Shielding	Voltage	Options
SQ6	2		AB	W			
	2 = 2-Light	4 = 4-Foot 8 = 8-Foot	AB = Asymmetrical Bi-Directional	W = Wall	S = Straight Blade Louver C = Paracube 1/2" L = Lens K19 N = None P = Parabolic Louver	1 = 120v 2 = 277v 3 = 347v D1 = Dimming 120v D2 = Dimming 277v E1 = Emergency 120v E2 = Emergency 277v	X4 = 4th Wire X5 = 5th Wire Blank = No Opt. DS = Dual Switch

Complete ordering instruction below.

Features

- Housing:** 20 gauge pre-painted die formed steel. Weldless, die-cast bulkheads allowing casting to casting luminaire connection. ABS Cast plastic end caps, painted white to match housing, fastenerless attachment.
- Lamp:** Two F32T8 fluorescent lamps per 4-foot section. Provided by others.
- Reflector:** Precision die-formed high reflectance white pre-painted steel.
- Straight Blade Louver:** Lift and shift, constructed from die-formed aluminum and finished to match the housing. Louver blades are 1" (2.54cm) high on 1-1/8" (2.86cm) centers.
- Lens:** Extruded 100% acrylic clear prismatic lens.
- Paracube Louver:** Lift and shift, injection molded metalized louver with 1/2" (1.27cm) x 1/2" (1.27cm) cubes.
- Parabolic Louver:** Lift and shift, constructed of die-formed semi-specular aluminum. Louver blades are 1" (2.54cm) high on 1-1/2" (3.81cm) centers.

Electrical

Electronic Ballast: 3 conductor, 18 gauge wire. Color-coded quick connectors allow easy connection for modular fixtures. Power feed is 18 gauge white cord. Factory installed ballast disconnect allows the ballast to be disconnected from and reconnected to incoming power under load without turning the entire circuit off.

Dimming: Advance Mark X, use Advance compatible two-wire control (no extra lead required).

Emergency Battery Pack: 450 Lumens @ 90min.

Options and Accessories

Dual Switching: Order the DS option for separate row switching. DS option comes complete with the 4th through wire option.

4 and 5 wire: Order X4 for EM battery. For non-standard dimming options, order X5 option for Advance Mark VII, DALI and ESI. Order X4 for Lutron Hi-Lume and ECO-10. Consult factory for any additional wiring conditions.

Mounting

Wall Mounting: Precision die-formed steel bracket system that hooks and locks onto the wall, painted white.

Finish

Pre-painted textured white finish. Shipped with plastic adhesive film protector.

Ordering Instructions

Individual Fixtures:

- Order number of Modules required.
- Order one End Set Wall or Surface per Module.

Continuous Runs:

- Determine run length.
- Order the appropriate number of Modules for the complete run.
- Order one End Set Wall or Surface per run.

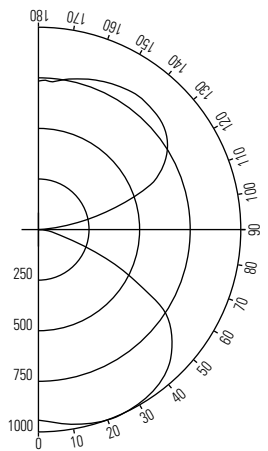
Labels

UL, cUL and I.B.E.W.

Job Information	Type:
Job Name:	
Cat. No.:	
Lamp(s):	
Notes:	

631 Airport Road, Fall River, MA 02720 • (508) 679-8131 • Fax (508) 674-4710
 We reserve the right to change details of design, materials and finish.
 www.lightolier.com © 2008 Philips Group • F1208

Performance & Quick Calculators



ZONE DEG.	CANDLEPOWER				
	0	22	45	67	90
180	734	734	734	734	734
175	733	735	735	718	713
165	770	746	711	693	693
155	803	748	666	650	647
145	823	736	595	579	554
135	816	712	502	467	431
125	777	666	393	339	304
115	662	586	268	206	174
105	361	390	138	89	71
95	49	64	20	26	26
90	0	3	0	7	0
85	29	22	16	25	29
75	115	82	76	82	103
65	436	169	142	151	165
55	786	329	224	228	209
45	920	532	346	326	273
35	979	697	519	462	418
25	1001	828	681	628	599
15	992	913	823	799	779
5	959	951	929	911	900
0	942	942	942	942	942

Report No: ITL53183
 Catalog No.: SQ624ABWS1
 Lamps: 2-F32T8
 Lumens: 2950
 Efficiency: 76.8%

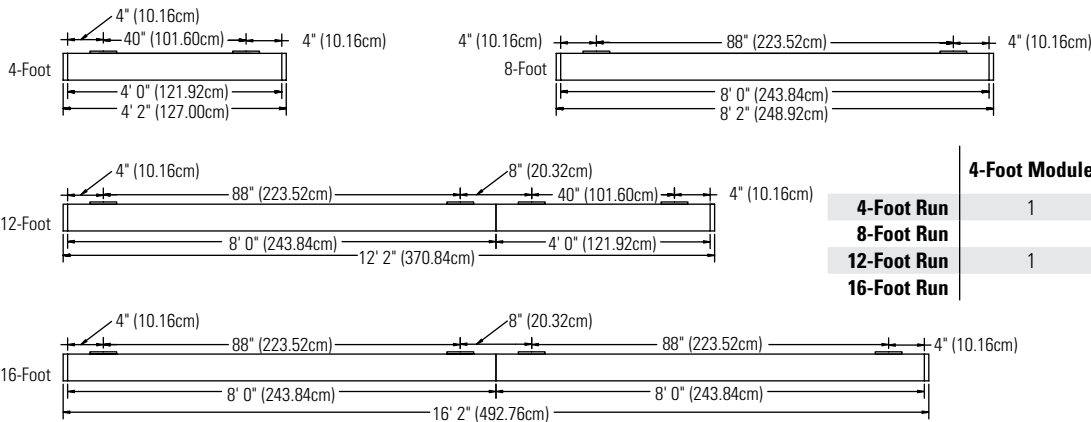
COEFFICIENTS OF UTILIZATION

ROOM CAVITY RATIO	% EFFECTIVE CEILING CAVITY REFLECTANCE								
	80			70			50		
	50	30	10	50	30	10	50	30	10
0	81	81	81	74	74	74	61	61	61
1	71	68	66	65	63	61	54	53	51
2	63	58	54	57	54	50	48	45	43
3	55	50	45	51	46	42	42	39	36
4	49	43	39	45	40	36	38	34	31
5	44	38	33	40	35	31	34	30	27
6	39	33	29	36	31	27	31	27	24
7	36	30	25	33	28	24	28	24	21
8	32	26	22	30	25	21	25	21	19
9	29	24	20	27	22	19	23	19	17
10	27	22	18	25	20	17	22	18	15

ZONAL LUMEN SUMMARY

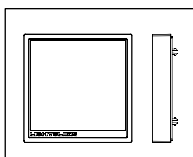
ZONE	LUMENS	% BARELAMP	% LUMINAIRE
0-90	1987	33.7	43.8
90-180	2544	43.1	56.2
0-180	4531	76.8	100.0

Fixture Lengths & Mounting Locations



	4-Foot Module	8-Foot Module	End Set
4-Foot Run	1		1
8-Foot Run		1	1
12-Foot Run	1	1	1
16-Foot Run		2	1

Mounting Accessories



End Set Wall:
SQ6E

Job Information Type:

631 Airport Road, Fall River, MA 02720 • (508) 679-8131 • Fax (508) 674-4710
 We reserve the right to change details of design, materials and finish.
 www.lightolier.com © 2008 Philips Group • F1208