

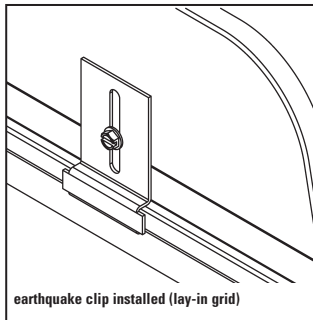
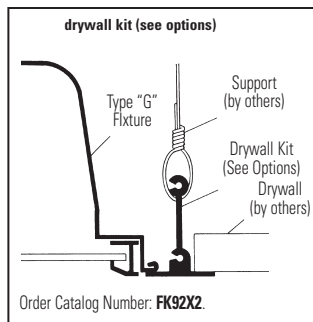
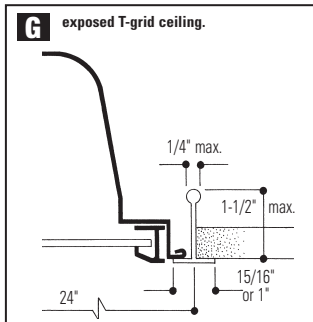
Specplus LED SPS2GRAKA8802UNVL59

Features

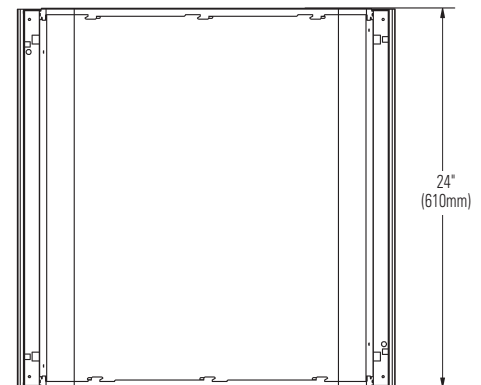
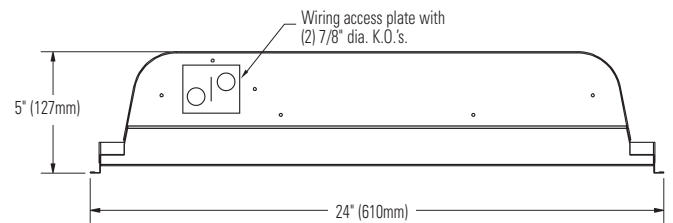
- 5" deep body.
- Field replaceable LED array and drivers accessible from below.
- Prismatic acrylic lens.
- Regressed aluminum door frame with 500 square inch lens opening.
- Integrated thermal management system conducts heat away from LEDs and transfers it to the surrounding environment.
- Long life LED with 3497 lumen output.
- Black body to dissipate heat from LEDs.
- Hemmed over side rails for maximum safety.
- Fixture ends turned-in for safe handling.
- Earthquake/Hold-down clips (4).
- Door jamb finished black on four sides for positive light stop.
- Spring loaded rooster head latches.
- 18 gauge steel hinges.
- Construction to meet NYC Code Requirements or Chicago Plenum is available.



Mounting Methods



Dimensions



Job Information Type:

Job Name:

Cat. No.:

Lamp(s):

Volts/Ballast:

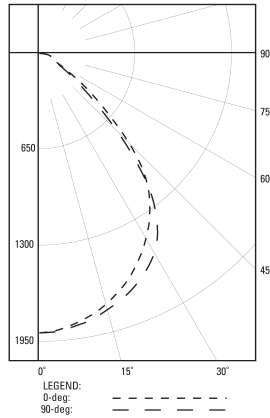
Specplus LED SPS2GRAKA8802UNVL59

Photometry

Model No. SPS2GRAKA8802UNVL59

Report Number: G2010128¹
 Catalog Number: SPS2GRAKA8802UNVL59
 Output lumens: 3497
 Correlated Color Temp²: 4000k
 Input Watts: 59
 Efficacy: 60.6 lm/w
 CRI: 80 minimum
 Lamp:
 Luminaire: 2' x 2' Specplus LED with regressed aluminum door frame and acrylic prismatic lens.
 CIE Type-Direct-Indirect
 Plane: 0-Deg 90-Deg
 Spacing Criteria: 1.1 1.2
 Shielding Angles: 90 90
 Plane: 0-Deg 90-Deg
 Luminous Length: 22.800 22.800

CANDELA DISTRIBUTION PLOT



CANDELA DISTRIBUTION

	0.0	45.0	90.0	LUMENS
0	1887	1887	1887	
5	1862	1863	1876	177
15	1749	1764	1788	499
25	1559	1596	1652	737
35	1295	1325	1379	828
45	850	787	736	619
55	330	407	259	332
65	110	169	109	167
75	80	75	92	103
85	29	29	30	34
90	4	4	4	

COEFFICIENTS OF UTILIZATION – ZONAL CAVITY METHOD. EFFECTIVE FLOOR CAVITY REFLECTANCE 0.20

RC	80	50	30	10	50	30	10
RW	70	50	30	50	30	10	30
1	111	107	104	101	98	96	97
2	103	96	91	91	87	83	88
3	96	87	80	82	77	73	80
4	89	79	71	75	69	64	73
5	83	71	64	68	62	57	67
6	77	65	58	63	56	51	61
7	72	60	52	58	51	46	56
8	67	55	48	53	47	43	52
9	63	51	44	50	43	38	48
10	60	48	40	46	40	35	45

ZONAL LUMEN SUMMARY

ZONE	LUMENS	% LAMP	% FIXT
0- 30	1414	40.4	40.4
0- 40	2242	64.1	64.1
0- 60	3192	91.3	91.3
0- 90	3497	100.0	100.0
90-180	0	0.0	0.0
0-180	3497	100.0	100.0*

*Total Efficiency

¹Tested using absolute photometry as specified in LM79: IESNA Approved Method for the Electrical and Photometric Measurements of Solid-State Lighting Products.
²Correlated Color Temperature within specs as defined in ANSI/NEMA/ANSI/IESNA C78.377-2008: Specifications for the Chromaticity of Solid State Lighting Products.

Ordering Information

Explanation of Catalog Number. Example: SPS2GRAKA8802UNVL59

SP	S	2	G	RA	KA	880	2	UNV	L59
Standard Specplus Plus	Body Style: S = Static	Fixture Width	Ceiling Type: G = Grid (lay-in T bar)	Lens Frame: RA = Regressed aluminum frame.	Lens Shielding Type: KA=0.156 Prismatic acrylic lens	LED Configuration	Fixture Length	Voltage: UNV=120-277	LED Driver

Specifications

Materials: Chassis parts are die-formed code gauge cold rolled steel. Housing with side rails hemmed over and housing ends turned-in for safe handling.

Finish: Chassis exterior—black baked polyester enamel.

Cavity—white baked polyester enamel minimum 95% reflectance. Phosphate undercoating.

Frame: Regressed extruded aluminum frame with spring loaded latches.

Lens: KA extruded virgin acrylic .156" nominal thickness (similar to pattern K19).

Options/Accessories

Electrical Wiring Options: Consult factory.

Drywall Kit: Order Catalog Number: **FK92X2**. (Request Folio OA30-10 Rev. B).

Job Information Type: