

Specplus SPS2GFSVA32U or 317

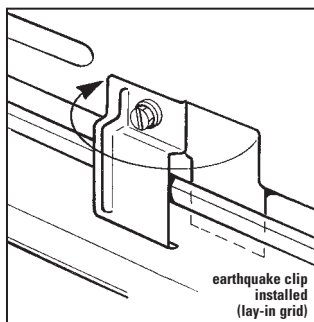
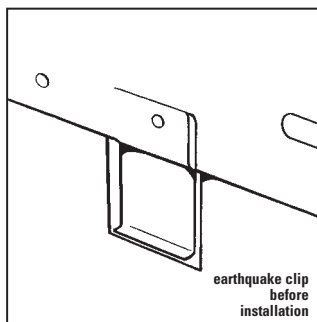
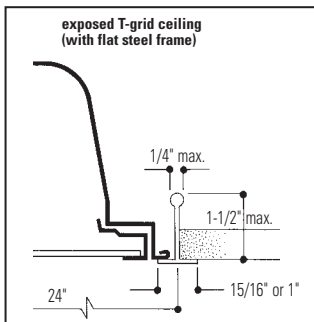
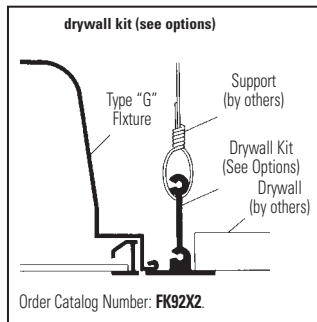
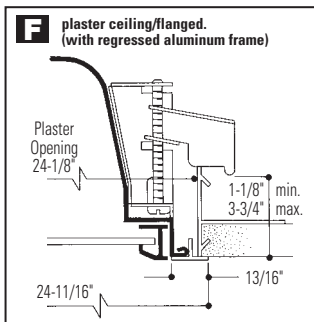
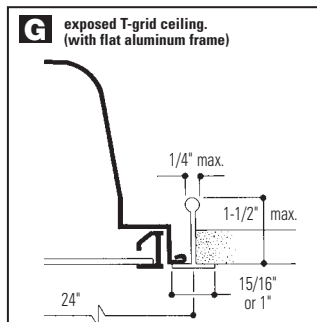
2' x 2' Recessed Fluorescent, Lens Frame Troffer
Static, 2 or 3 Lamp T8, 1-5/8"U or 2' Lamp

Features

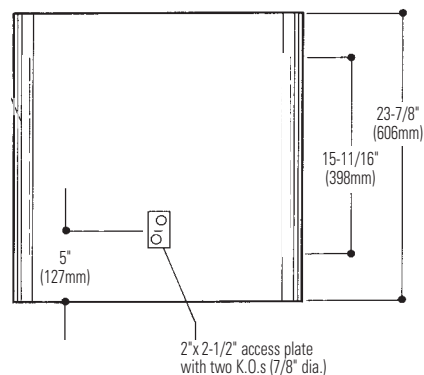
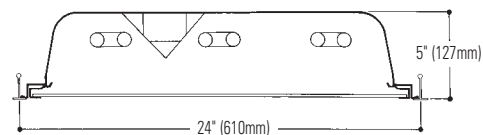
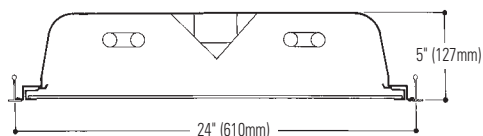
- 5" deep body.
- 3-1/16" lamp to lens for better lamp obscuration.
- 67.9% efficient (3-1-5/8"U Lamp).
- Clean contoured interior, no holes.
- Hemmed over side rails for maximum safety.
- Fixture ends turned-in for safe handling.
- Built-in earthquake clips.
- Slimline door frame with 475 square inch lens opening.
- Door jamb finished black on four sides for positive light stop.
- True mitered corner steel lens frame.
- Spring loaded rooster head latches.
- 18 gauge steel hinges.
- Flat and regressed aluminum doors available.
- Sky lens options available.
- Construction to meet NYC Code or Chicago Plenum requirements is available.



Mounting Methods



Dimensions



Job Information Type:

Job Name:

Cat. No.:

Lamp(s):

Volts/Ballast:

