

Specplus SPS2GFSVA2FT or 3FT

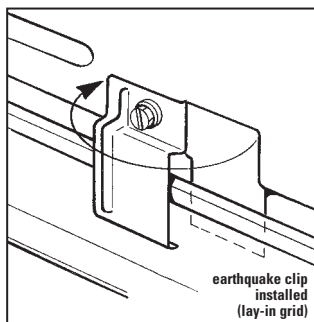
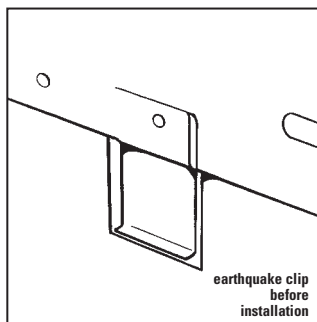
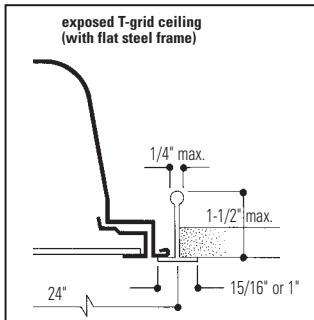
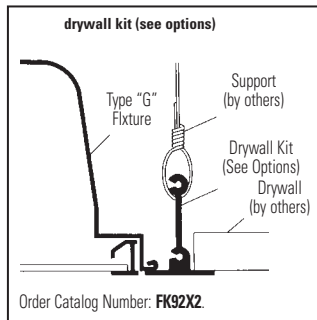
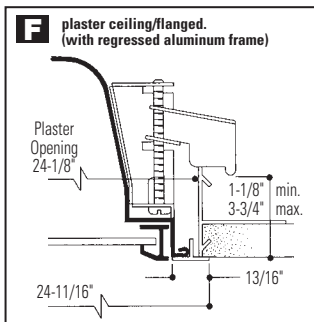
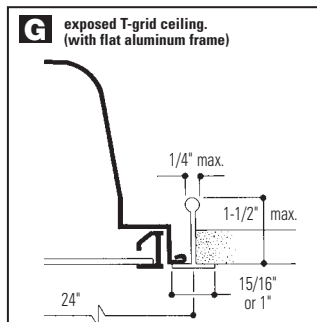
2' x 2' Recessed Fluorescent, Lens Frame Troffer Static, 2 or 3 Lamp, Twin Tube T5

Features

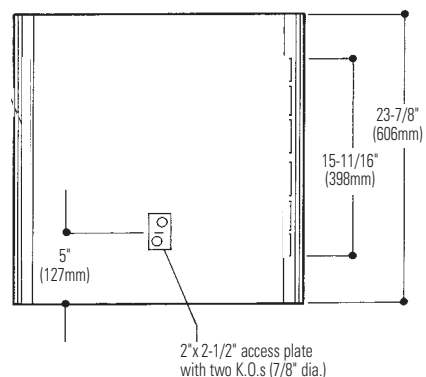
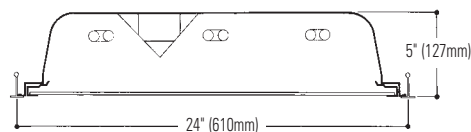
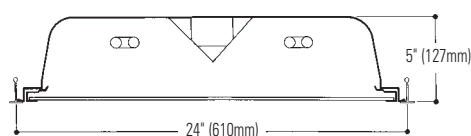
- 5" deep body.
- 3-1/4" lamp to lens for better lamp obscuration.
- 76.8% efficient (3 lamp TT5).
- Clean contoured interior, no holes.
- Hemmed over side rails for maximum safety.
- Fixture ends turned-in for safe handling.
- Built-in earthquake clips.
- Slimline door frame with 475 square inch lens opening.
- Door jamb finished black on four sides for positive light stop.
- True mitered corner steel lens frame.
- Spring loaded rooster head latches.
- 18 gauge steel hinges.
- Flat and regressed aluminum doors available.
- Sky lens options available.
- Construction to meet NYC Code or Chicago Plenum requirements is available.



Mounting Methods



Dimensions



Job Information	Type:
Job Name:	
Cat. No.:	
Lamp(s):	
Volts/Ballast:	

Specplus SPS2GFSVA2FT or 3FT

2' x 2' Recessed Fluorescent, Lens Frame Troffer Static, 2 or 3 Lamp, Twin Tube T5

Photometry

Model No. SPS2GFSVA3FT120X3

LER = FP - 58.6 IW - 56.3 BF - 0.87
Comparative yearly lighting energy cost per
1000 lumens = \$4.10

Report Number: G00045
Catalog Number: SPS2GFSVA3FT120X3
Lamps: (3) F40
Luminaire: 2' x 2' SpecPlus with regressed
aluminum door frame and extruded
virgin acrylic shielding .095" nominal
thickness (similar to pattern 12).

Ballast: C3401120
Report is based on 3150 Lumens per lamp.
Efficiency: 76.8%
CIE Type-Direct-Indirect
Plane: 0-Deg 90-Deg
Spacing Criteria: 1.2 1.3
Shielding Angles: 90 90
Plane: 0-Deg 90-Deg
Luminous Length: 21.875 21.875

CANDELA DISTRIBUTION

	0.0	45.0	90.0	FLUX
0	3132	3132	3132	
5	3115	3117	3135	297
15	2973	3016	3061	852
25	2697	2795	2882	1286
35	2265	2385	2465	1485
45	1677	1773	1880	1367
55	1027	1081	1151	971
65	565	528	585	557
75	285	261	341	316
85	106	113	143	128
90	0	0	0	

LUMINANCE DATA IN CANDELA/SQ. METER

AVERAGE IN DEG.	AVERAGE 0-DEG.	AVERAGE 45-DEG.	AVERAGE 90-DEG.
45	7620.	8056.	8542.
55	5753.	6055.	6448.
65	4295.	4014.	4448.
75	3538.	3240.	4233.
85	3908.	4166.	5272.

ZONAL LUMEN SUMMARY

ZONE	LUMENS	% LAMP	% FIXT
0- 30	2435	25.8	33.5
0- 40	3920	41.5	54.0
0- 60	6258	66.2	86.2
0- 90	7260	76.8	100.0
90-180	0	0.0	0.0
0-180	7260	76.8	100.0

COEFFICIENTS OF UTILIZATION - ZONAL CAVITY METHOD. EFFECTIVE FLOOR CAVITY REFLECTANCE 0.20

RC	80	50	30
RW 70	50	30	10
1	84	81	78
2	78	72	67
3	71	64	58
4	66	57	51
5	61	52	45
6	56	47	40
7	53	43	36
8	49	39	33
9	46	36	30
10	43	33	28

Sky Lens Options



Ordering Information

Explanation of Catalog Number. Example: SPS2GFSVA3FTUNVIB

Specplus: Recessed fluorescent troffer	S Static	2 Fixture Width	G Grid (lay-in T bar) F Flanged (over lap) Z spline and plaster frame	Lens Frame: FS = Flat steel frame. RA = Regressed aluminum frame. FA = Flat aluminum frame.	Lens Shielding Type: VA =Virgin acrylic (standard) S1 =Sky lens 1 S2 =Sky lens 2 See options and consult factory	Lamp Quantity 2=2 Lamp 3=3 Lamp	FT Lamp Type/ Fixture Length: (Nominal 24") Twin Tube T5 Note: For Linear T5 Lamp option, consult factory	Voltage: 120, 277 or UNV=120-277	Ballast Type: <20THD <10THD SB * IB * 1-2 Lamp Elec. TT5 (40 Watt) 1-3 Lamp Elec. TT5 (40 Watt) LOL TT5 Dimming (40 Watt) *Instant Start Standard Other dimming options. Consult factory. NOTE: For TT5 UNV , you must use IB, I3 Ballast Code.	Options: Add appropriate suffix to catalog no., ie: (A)
SP Standard Specplus Plus										
SX For NYC Code - Local 3 Manufactured										

Options/Accessories

Special Lenses: Substitute **VY** for **VA** (standard) = .125" nominal pattern 12 with 7.8 oz. average weight per square foot. Substitute **VI** for **VA** (standard) = .125" nominal pattern 12 with 6.8 oz. average weight per square foot. Substitute **S1** or **S2** for **VA** (standard) = Sky Acrylic Lens (see Sky Lens sell sheet for further details).

Plaster Frame: Catalog Number: **PF22**

Continuous Row Installation: For F type fixtures, half width flanges are required between fixtures. Order Catalog Number: **2FC TRIM CSP** (each joint).

Radio Interference Filter: To order one RIF per fixture; SUFFIX: **R**.
To order one RIF per ballast; SUFFIX: **B**.

Fusing: Internal fast-blow fusing. SUFFIX **A**.
Internal slow-blow fusing. SUFFIX **C**.

Electrical Wiring Options: Consult factory.

Drywall Kit: Order Catalog Number: **FK92X2**. (Request Folio OA30-10 Rev. A).

Chicago Plenum: SUFFIX: **C**.

Specifications

Performance: In an installation of 3 lamp 40W luminaires in a room cavity ratio of 1, reflectance 80% ceiling, 50% wall, 20% floor, the C.U. shall not be less than .81. To prevent glare the VCP shall be not less than 29 either lengthwise or crosswise (at 100fc level) and the average brightness at 65° shall not exceed 4447 candelas per square meter. To control veiling reflections, luminaire output in the 30°-90° zone shall not be less than 66.5%.

Specifications (continued)

Materials: **Chassis parts** are die-formed code gauge cold rolled steel. Housing with side rails hemmed over and housing ends turned-in for safe handling.

Finish: **Chassis exterior**—black baked polyester enamel. **Cavity**—white baked polyester enamel minimum 86% reflectance. Phosphate undercoating.

Lenses: **VA** (standard) extruded virgin acrylic, 3/16" square based female cones, running 45° to the panel edge, .095" nominal thickness (similar to pattern 12). **VY** (optional) .125" nominal pattern 12 with 7.8 oz. average weight per square foot. **VI** (optional) .125" nominal pattern 12 with 6.8 oz. average weight per square foot.

Electrical: Thermally protected class "P" ballast C.B.M. approved, non PCB. If K.O. is within 3" of ballast, use wire suitable for at least 90°.

Labels: I.B.E.W. UL and ULc Listed.

This product may have a mercury containing lamp.

Manage in accord with Disposal Laws. See: www.lamprecycle.org

Job Information Type: