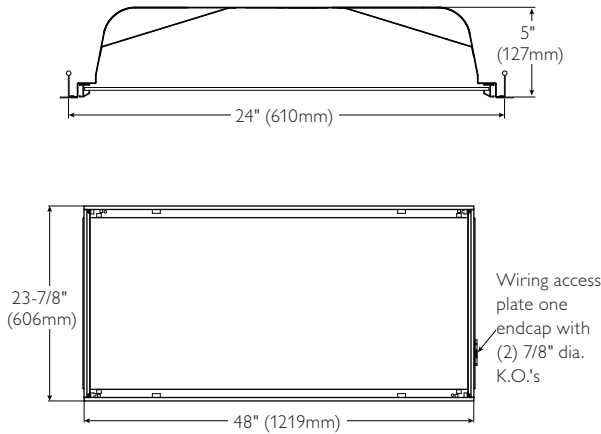


Recessed 2'X4' Luminaire, LED



Ordering Information

SpecPlus	Body Style	Fixture Size	Ceiling Type	Lens Frame	Lens Shielding	Lumen Category	Color Temp	Voltage	Driver Type	Options
SP	S	24	G				40	U	LAG	-
Recessed Luminaire	S = Static	24 = 2' X 4' (Nominal size)	G = 9/16" or 15/16" Grid	FS = Flat steel frame FA = Flat aluminum frame RA = Regressed aluminum frame	KA = 0.156 Prismatic acrylic lens VA = 0.095 Prismatic acrylic lens	26A = 2600 lumens 33A = 3300 lumens 37A = 3700 lumens 43A = 4300 lumens Flat steel frame with KA lens used as example (Approximate delivered values. Consult IES file)	40 = 4000K Consult representative for other color temperature options. (Approximate values. Consult IES file)	U = Universal 120-277v	LAG = LED Driver Consult representative for dimming options	Add appropriate suffix to catalog no., i.e.: (C)

Features

- Prismatic acrylic lens.
- Can provide 47 initial footcandles at 0.56 watts per square foot.
- Delivers 3742 lumens with just 44.9 input watts.
- Field replaceable LED array and drivers accessible from below.
- Integrated thermal management system conducts heat away from LEDs and transfers it to the surrounding environment.
- Intelligent driver technology, our LitePlane platform, is a factory calibrated system providing the customer multiple lumen outputs to balance energy savings with lighting application needs.
- High efficiency LEDs have 50,000 hour rated life at L₇₀.
- Predicted L70 lifetime is based on LED manufacturer's supplied LM-80 data and in-situ laboratory testing.
- Black body to dissipate heat from LEDs.
- 5" deep body.
- Earthquake/Hold-down clips.
- Hemmed over side rails for maximum safety.

- Spring loaded rooster head latches.
- Construction to meet NYC Code Requirements or Chicago Plenum is available.
- Not for continuous row mounting.
- Five-year warranty on luminaire, LED boards and driver.

Job Information	Type:
Job Name:	
Cat. No.:	
Notes:	

Specifications

Materials: Chassis parts are die-formed code gauge cold rolled steel. Housing with side rails hemmed over and housing ends turned-in for safe handling.

Finish: Chassis exterior—black baked polyester enamel.

Cavity—white baked polyester enamel minimum 95% reflectance. Rust preventative undercoating.

Lens Frame: FS—flat full-size steel frame, **FA**—flat full-size extruded aluminum frame, **RA**—regressed full-sized extruded aluminum frame.

Lenses: KA—extruded virgin acrylic .156" nominal thickness, similar to pattern 19. **VA**—extruded virgin acrylic, 3/16" square based female cones, running 45° to the panel edge, .095" nominal thickness, similar to pattern 12.

Electrical: LED boards and drivers are RoHS (Restriction of Hazardous Substances) compliant. For dimming options consult factory.

Labels: I.B.E.W. UL and ULc Listed.

Options/Accessories

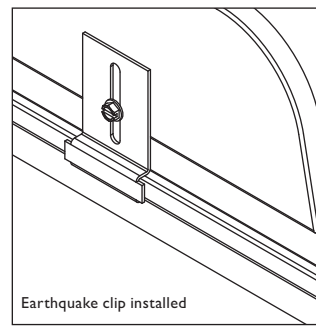
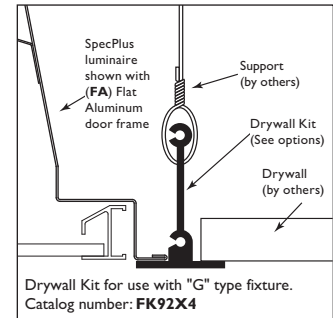
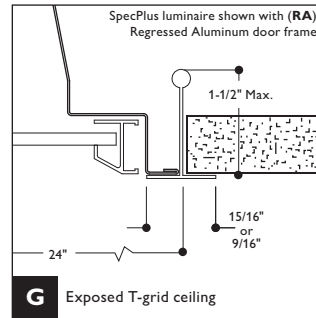
Electrical Wiring Options: Consult factory.

Drywall Kit: Order Catalog Number: **FK92X4**.

Fusing: Internal fast blow fusing: Suffix: **A**.
Internal slow blow fusing: Suffix: **C**.

Chicago Plenum: Suffix: **C**.

Mounting Methods



Job Information Type:

PHILIPS

LIGHTOLIER

Photometry

Report Number!: G2011242
 Catalog Number: SPS24GFAKA37A40ULAG
 Delivered Lumens: 3742
 Correlated Color Temp.²: 3995K
 Input Watts: 44.9
 Efficacy: 83.3 lm/w
 CRI: 84.6
 Lamp: LED
 Luminaire: 2' x 4' Specplus LED with flat steel door frame and acrylic prismatic lens
 CIE Type: Direct/Indirect
 Plane: 0-Deg. 90-Deg.
 Shielding Angles: 90 90
 Plane: 0-Deg. 90-Deg.
 Luminous Length: 45.960 21.720

Candela Distribution

Vertical Angle	Horizontal Angle		Zonal Lumens
	0	45 90	
0	1976	1976	1976
5	1948	1956	1970
15	1842	1863	1879
25	1674	1692	1723
35	1420	1424	1486
45	947	857	806
55	349	435	284
65	102	179	96
75	80	58	82
85	31	32	33
90	0	0	0

¹ Tested using absolute photometry as specified in LM79: IESNA Approved Method for the Electrical and Photometric Measurements of Solid-State Lighting Products.
² Correlated Color Temperature within specs as defined in ANSI_NEMA_ANSI_C78.377-2008: Specifications for the Chromaticity of Solid State Lighting Products.

Coefficients of Utilization

Ceiling Wall	80%			50%			30%		
	70	50	30	50	30	10	50	30	10
RC	Zonal Cavity Method								
RW	Effective Floor Reflectance = 20%								
1	111	107	104	101	98	96	97	95	93
2	103	96	91	91	87	83	88	84	81
3	96	87	80	82	77	73	80	75	72
4	89	79	71	75	69	64	73	68	63
5	83	71	64	68	62	57	67	61	57
6	77	65	57	63	56	51	61	55	51
7	72	60	52	58	51	46	56	50	46
8	67	55	48	53	47	42	52	46	42
9	63	51	44	49	43	38	48	42	38
10	59	47	40	46	40	35	45	39	35

Average Luminance data in candela / sq. meter

Angle	0°	45°	90°
45	2079.	1881.	1769.
55	944.	1177.	769.
65	375.	657.	353.
75	480.	348.	492.
85	552.	570.	588.

Zonal Lumen Summary*

Zone	Lumens	% Lamp	% Fixt.
0-30	1494	39.9	39.9
0-40	2391	63.9	63.9
0-60	3428	91.6	91.6
0-90	3742	100.0	100.0
0-180	3742	100.0	100.0

*Total Efficiency

Additional Ordering Information

Flat Steel/Aluminum Door Frame with KA Lens

Catalog Number	Delivered Lumens	Input Watts	Lumens per Watt	Average initial 8'X8' footcandles	8'X8' Watts per sq. foot	Average initial 8'X10' footcandles	8'X10' Watts per sq. foot
SPS24GFSKA26A40ULAG	2623	30.1	87.1	41.0	0.47	32.8	0.38
SPS24GFSKA33A40ULAG	3268	38.5	84.9	51.1	0.60	40.9	0.48
SPS24GFSKA37A40ULAG	3742	44.9	83.3	58.5	0.70	46.8	0.56
SPS24GFSKA43A40ULAG	4294	52.9	81.2	67.1	0.83	53.7	0.66

Flat Steel/Aluminum Door Frame with VA Lens

Catalog Number	Delivered Lumens	Input Watts	Lumens per Watt	Average initial 8'X8' footcandles	8'X8' Watts per sq. foot	Average initial 8'X10' footcandles	8'X10' Watts per sq. foot
SPS24GFSVA26A40ULAG	2711	30.1	90.1	42.4	0.47	33.9	0.38
SPS24GFSVA33A40ULAG	3375	38.5	87.7	52.7	0.60	42.2	0.48
SPS24GFSVA37A40ULAG	3799	44.9	84.6	59.4	0.70	47.5	0.56
SPS24GFSVA43A40ULAG	4440	52.9	83.9	69.4	0.83	55.5	0.66

Regressed Aluminum Door Frame with KA Lens

Catalog Number	Delivered Lumens	Input Watts	Lumens per Watt	Average initial 8'X8' footcandles	8'X8' Watts per sq. foot	Average initial 8'X10' footcandles	8'X10' Watts per sq. foot
SPS24GRAKA26A40ULAG	2623	30.1	87.1	41.0	0.47	32.8	0.38
SPS24GRAKA33A40ULAG	3268	38.5	84.9	51.1	0.60	40.9	0.48
SPS24GRAKA37A40ULAG	3742	44.9	83.3	58.5	0.70	46.8	0.56
SPS24GRAKA43A40ULAG	4294	52.9	81.2	67.1	0.83	53.7	0.66

Regressed Aluminum Door Frame with VA Lens

Catalog Number	Delivered Lumens	Input Watts	Lumens per Watt	Average initial 8'X8' footcandles	8'X8' Watts per sq. foot	Average initial 8'X10' footcandles	8'X10' Watts per sq. foot
SPS24GRAVA26A40ULAG	2711	30.1	90.1	42.4	0.47	33.9	0.38
SPS24GRAVA33A40ULAG	3375	38.5	87.7	52.7	0.60	42.2	0.48
SPS24GRAVA38A40ULAG	3799	44.9	84.6	59.4	0.70	47.5	0.56
SPS24GRAVA43A40ULAG	4440	52.9	83.9	69.4	0.83	55.5	0.66



Philips Lightolier
 e: lol.webmaster@philips.com
 t: (508) 679-8131, Technical info. (978) 657-7600
 w: www.lightolier.com

SPS24G March 8, 2012

Specifications are subject to change without notice.
 © Koninklijke Philips Electronics N.V., 2012. All rights reserved.

Job Information Type: