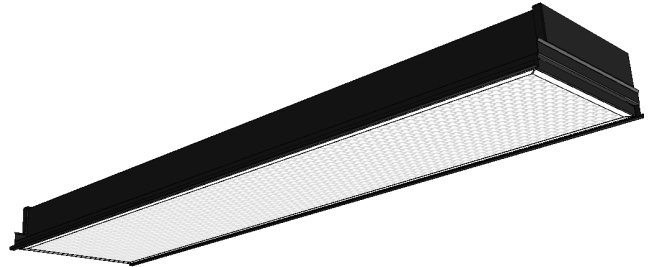
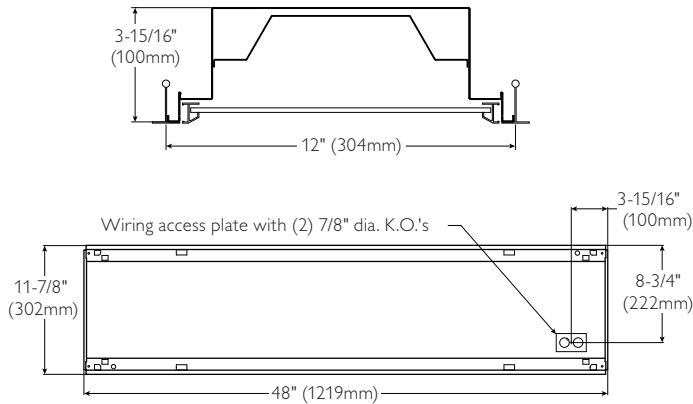


## Recessed 1'X4' Luminaire, LED



### Ordering Information

SpecPlus	Body Style	Fixture Size	Ceiling Type	Lens Frame	Lens Shielding	Lumen Category	Color Temp	Voltage	Driver Type	Options
<b>SP</b>	<b>S</b>	<b>14</b>	<b>G</b>				<b>40</b>	<b>U</b>	<b>LAG</b>	-
Recessed Luminaire	S = Static	14 = 1' X 4' (Nominal size)	G = Standard Grid	FS = Flat steel frame FA = Flat aluminum frame RA = Regressed aluminum frame	KA = 0.156 Prismatic acrylic lens VA = 0.095 Prismatic acrylic lens	22A = 2200 lumens 28A = 2800 lumens 32A = 3200 lumens 37A = 3700 lumens Flat steel frame with KA lens used as example (Approximate delivered values. Consult IES file)	40 = 4000K Consult representative for other color temperature options. (Approximate values. Consult IES file)	U = Universal 120-277v	LAG = LED Driver Consult representative for dimming options	Add appropriate suffix to catalog no., i.e.: (C)

### Features

- Prismatic acrylic lens.
- Can provide 45 initial footcandles at 0.56 watts per square foot.
- Delivers 3614 lumens with just 44.9 input watts.
- Field replaceable LED array and drivers accessible from below.
- Integrated thermal management system conducts heat away from LEDs and transfers it to the surrounding environment.
- Intelligent driver technology, our LitePlane platform, is a factory calibrated system providing the customer multiple lumen outputs to balance energy savings with lighting application needs.
- High efficiency LEDs have 50,000 hour rated life at L<sub>70</sub>.
- Predicted L70 lifetime is based on LED manufacturer's supplied LM-80 data and in-situ laboratory testing.
- Black body to dissipate heat from LEDs.
- 3-15/16" deep body.
- Earthquake/Hold-down clips.
- Spring loaded rooster head latches.
- Construction to meet NYC Code Requirements or Chicago Plenum is available.
- Suitable for continuous row mounting.
- Five-year warranty on luminaire, LED boards and driver.

Job Information	Type:
Job Name:	
Cat. No.:	
Notes:	

### Specifications

**Materials:** Chassis parts are die-formed code gauge cold rolled steel. Housing ends turned-in for safe handling.

**Finish: Chassis exterior**—black baked polyester enamel.

**Cavity**—white baked polyester enamel minimum 95% reflectance. Rust preventative undercoating.

**Lens Frame: FS**—flat full-size steel frame, **FA**—flat full-size extruded aluminum frame, **RA**—regressed full-sized extruded aluminum frame.

**Lenses: KA**—extruded virgin acrylic .156" nominal thickness, similar to pattern 19. **VA**—extruded virgin acrylic, 3/16" square based female cones, running 45° to the panel edge, .095" nominal thickness, similar to pattern 12.

**Electrical:** LED boards and drivers are RoHS (Restriction of Hazardous Substances) compliant. For dimming options consult factory.

**Labels:** I.B.E.W. UL and ULc Listed.

### Options/Accessories

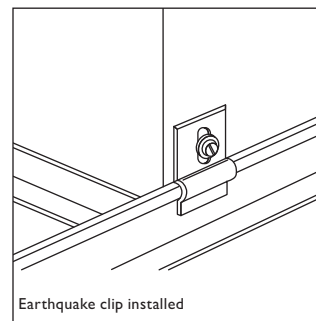
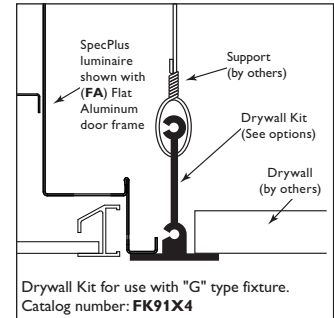
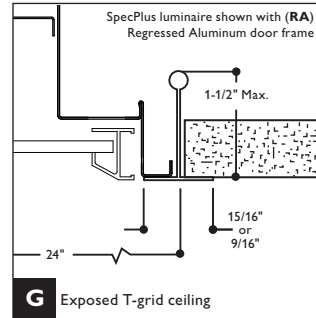
**Electrical Wiring Options:** Consult factory.

**Drywall Kit:** Order Catalog Number: **FK91X4**.

**Fusing:** Internal fast blow fusing: Suffix: **A**.  
Internal slow blow fusing: Suffix: **C**.

**Chicago Plenum:** Suffix: **C**.

### Mounting Methods



Job Information Type:

**PHILIPS**

**LIGHTOLIER**

### Photometry

Report Number<sup>1</sup>: G2011900  
 Catalog Number: SPS14GFSVA32A40ULAG  
 Delivered Lumens: 3614  
 Correlated Color Temp.<sup>2</sup>: 4010K  
 Input Watts: 44.9  
 Efficacy: 80.5 lm/w  
 CRI: 85  
 Lamp: LED  
 Luminaire: 1' x 4' Specplus LED with flat steel door frame and acrylic prismatic lens  
 CIE Type: Direct/Indirect  
 Plane: 0-Deg. 90-Deg.  
 Shielding Angles: 90 90  
 Plane: 0-Deg. 90-Deg.  
 Luminous Length: 45.480 9.480

### Candela Distribution

Vertical Angle	Horizontal Angle		Zonal Lumens
	0	45 90	
0	1782	1782 1782	
5	1755	1772 1787	169
15	1680	1695 1707	478
25	1521	1525 1522	701
35	1256	1215 1167	757
45	906	816 718	629
55	558	444 394	416
65	299	204 227	238
75	192	143 148	160
85	74	56 56	66
90	4	4 3	

<sup>1</sup> Tested using absolute photometry as specified in LM79: IESNA Approved Method for the Electrical and Photometric Measurements of Solid-State Lighting Products.  
<sup>2</sup> Correlated Color Temperature within specs as defined in ANSI/NEMA\_ANSI C78.377-2008: Specifications for the Chromaticity of Solid State Lighting Products.

### Coefficients of Utilization

Ceiling Wall	80%			50%			30%			
	70	50	30	50	30	10	50	30	10	
RC	Zonal Cavity Method									
RW	Effective Floor Reflectance = 20%									
Room Cavity Ratio	1	110	106	102	99	97	94	96	93	91
	2	102	94	88	89	84	80	86	82	79
	3	94	84	77	80	74	70	77	72	68
	4	87	76	68	72	66	61	70	65	60
	5	81	69	61	66	59	54	64	58	53
	6	75	63	55	60	53	48	59	52	48
	7	70	57	49	55	48	43	54	48	43
	8	65	53	45	51	44	39	50	44	39
	9	61	49	41	47	40	36	46	40	36
	10	58	45	38	44	37	33	43	37	33

### Average Luminance data in candela / sq. meter

Angle	0°	45°	90°
45	4605.	4147.	3649.
55	3496.	2782.	2469.
65	2543.	1735.	1930.
75	2666.	1986.	2055.
85	3051.	2309.	2309.

### Zonal Lumen Summary\*

Zone	Lumens	% Lamp	% Fixt.
0-30	1348	37.3	37.3
0-40	2105	58.2	58.2
0-60	3149	87.1	87.1
0-90	3614	100.0	100.0
0-180	3614	100.0	100.0

\*Total Efficiency

### Additional Ordering Information

#### Flat Steel/Aluminum Door Frame with VA Lens

Catalog Number	Delivered Lumens	Input Watts	Lumens per Watt	Average initial 8'X8' footcandles	8'X8' Watts per sq. foot	Average initial 8'X10' footcandles	8'X10' Watts per sq. foot
SPS14GFSVA22A40ULAG	2508	30.1	83.3	39.2	0.47	31.4	0.38
SPS14GFSVA28A40ULAG	3128	38.5	81.2	48.9	0.60	39.1	0.48
SPS14GFSVA32A40ULAG	3614	44.9	80.5	56.5	0.70	45.2	0.56
SPS14GFSVA37A40ULAG	4101	52.8	77.7	64.1	0.83	51.3	0.66

#### Flat Steel/Aluminum Door Frame with KA Lens

Catalog Number	Delivered Lumens	Input Watts	Lumens per Watt	Average initial 8'X8' footcandles	8'X8' Watts per sq. foot	Average initial 8'X10' footcandles	8'X10' Watts per sq. foot
SPS14GFSKA22A40ULAG	2234	30.1	74.2	34.9	0.47	27.9	0.38
SPS14GFSKA28A40ULAG	2799	38.5	72.7	43.7	0.60	35.0	0.48
SPS14GFSKA32A40ULAG	3206	45.0	71.2	50.1	0.70	40.1	0.56
SPS14GFSKA37A40ULAG	3657	52.9	69.1	57.1	0.83	45.7	0.66

#### Regressed Aluminum Door Frame with VA Lens

Catalog Number	Delivered Lumens	Input Watts	Lumens per Watt	Average initial 8'X8' footcandles	8'X8' Watts per sq. foot	Average initial 8'X10' footcandles	8'X10' Watts per sq. foot
SPS14GRAVA22A40ULAG	2508	30.1	83.3	39.2	0.47	31.4	0.38
SPS14GRAVA28A40ULAG	3128	38.5	81.2	48.9	0.60	39.1	0.48
SPS14GRAVA32A40ULAG	3614	44.9	80.5	56.5	0.70	45.2	0.56
SPS14GRAVA37A40ULAG	4101	52.8	77.7	64.1	0.83	51.3	0.66

#### Regressed Aluminum Door Frame with KA Lens

Catalog Number	Delivered Lumens	Input Watts	Lumens per Watt	Average initial 8'X8' footcandles	8'X8' Watts per sq. foot	Average initial 8'X10' footcandles	8'X10' Watts per sq. foot
SPS14GRAKA22A40ULAG	2234	30.1	74.2	34.9	0.47	27.9	0.38
SPS14GRAKA28A40ULAG	2799	38.5	72.7	43.7	0.60	35.0	0.48
SPS14GRAKA32A40ULAG	3206	45.0	71.2	50.1	0.70	40.1	0.56
SPS14GRAKA37A40ULAG	3657	52.9	69.1	57.1	0.83	45.7	0.66



Philips Lightolier  
 e: lol.webmaster@philips.com  
 t: (508) 679-8131, Technical info. (978) 657-7600  
 w: www.lightolier.com

SPS14G March 8, 2012

Specifications are subject to change without notice.  
 © Koninklijke Philips Electronics N.V., 2012. All rights reserved.

**Job Information Type:**