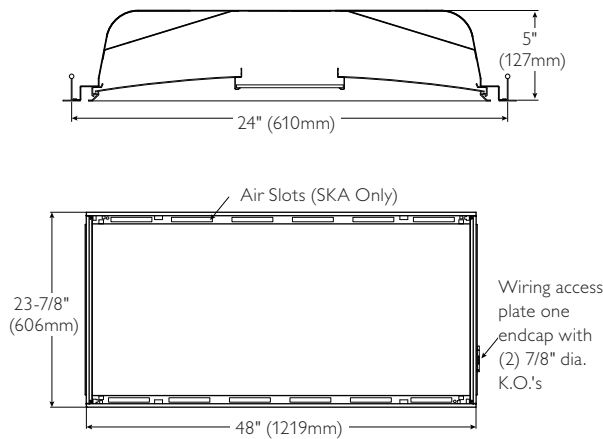


## Recessed 2'X4' Luminaire, LED



### Ordering Information

Skyway	Body Style	Fixture Size	Ceiling Type	Lens	Lumen Category	Color Temp.	Voltage	Driver Type	Options
<b>SK</b>		<b>24</b>				<b>40</b>	<b>U</b>	<b>LAG</b>	-
Direct-Indirect Recessed Luminaire	<b>A</b> = Air <b>S</b> = Static	<b>24</b> = 2' X 4' (Nominal size)	<b>G</b> = Standard Grid <b>T</b> = Slot Grid		<b>25A</b> = 2500 lumens <b>31A</b> = 3100 lumens <b>36A</b> = 3600 lumens <b>41A</b> = 4100 lumens (Approximate delivered values. Consult IES file)	<b>40</b> = 4000K Consult representative for other color temperature options. (Approximate values. Consult IES file)	<b>U</b> = Universal 120-277v	<b>LAG</b> = LED Driver Consult representative for dimming options	Add appropriate suffix to catalog no., i.e.: (C)
<p><b>PK</b> = Pattern 19, 0.156 virgin acrylic center lens with frost white acrylic side lenses.</p> <p><b>PP</b> = Frost white acrylic center lens with frost white acrylic side lenses.</p>									

### Features

- Aesthetically pleasing triple lens design.
- Curved high light transmission frost white acrylic side lenses.
- Clear acrylic conical prismatic center lens.
- Can provide 45 initial footcandles at 0.56 watts per square foot.
- Delivers 3559 lumens with just 44.9 input watts.
- Field replaceable LED array and drivers accessible from below.
- Integrated thermal management system conducts heat away from LEDs and transfers it to the surrounding environment.
- Intelligent driver technology, our LitePlane platform, is a factory calibrated system providing the customer multiple lumen outputs to balance energy savings with lighting application needs.
- High efficiency LEDs have 50,000 hour rated life at L<sub>70</sub>.
- Predicted L70 lifetime is based on LED manufacturer's supplied LM-80 data and in-situ laboratory testing.
- Black body to dissipate heat from LEDs.
- 5" deep body.
- Hemmed over side rails for maximum safety.
- Fixture ends turned-in for safe handling.
- Earthquake/Hold-down clips.
- Door jamb finished black on four sides for positive light stop.
- True mitered corner aluminum lens frame.

- Spring loaded rooster head latches.
- 18 gauge steel hinges.
- Construction to meet NYC Code Requirements or Chicago Plenum is available.
- Not for continuous row mounting.
- Five-year warranty on luminaire, LED boards and driver.

Job Information	Type:
Job Name:	
Cat. No.:	
Notes:	

### Specifications

**Materials:** Chassis parts are die-formed code gauge cold rolled steel. Housing with side rails hemmed over and housing ends turned-in for safe handling.

**Air Handling: (SKA only)** side air passages for air supply or air return.

**Finish: Chassis exterior**—black baked polyester enamel.

**Cavity**—white baked polyester enamel minimum 95% reflectance. Rust preventative undercoating.

**Lens: PK**—Proprietary high quality frost white acrylic and clear conical prism lens assembly. **PP**—Proprietary high quality frost white acrylic lens assembly.

**Electrical:** LED boards and drivers are RoHS (Restriction of Hazardous Substances) compliant. For dimming options consult factory.

**Labels:** I.B.E.W. UL and ULc Listed.

### Options/Accessories

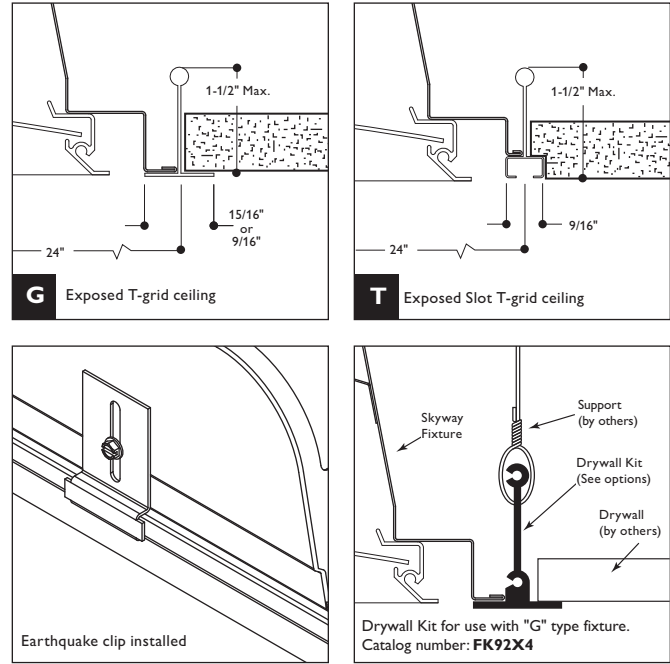
**Electrical Wiring Options:** Consult factory.

**Drywall Kit:** Order Catalog Number: **FK92X4**.

**Fusing:** Internal fast blow fusing: Suffix: **A**.  
Internal slow blow fusing: Suffix: **C**.

**Chicago Plenum:** Suffix: **C**.

### Mounting Methods



Job Information Type:

## Recessed 2'X4' Luminaire, LED

### Photometry

Report Number<sup>1</sup>: G2011246  
 Catalog Number: SKS24GPK36A40ULAG  
 Delivered Lumens: 3559  
 Correlated Color Temp.<sup>2</sup>: 4011K  
 Input Watts: 44.9  
 Efficacy: 79.3 lm/w  
 CRI: 84.6  
 Lamp: LED  
 Luminaire: Skyway recessed LED  
 2'X4' with tri-lens assembly.  
 CIE Type: Direct/Indirect  
 Plane: 0-Deg. 90-Deg.  
 Shielding Angles: 90 90  
 Plane: 0-Deg. 90-Deg.  
 Luminous Length: 45.960 21.720

### Candela Distribution

Vertical Angle	Horizontal Angle			Zonal Lumens
	0	45	90	
0	1808	1808	1808	
5	1781	1806	1810	170
15	1695	1664	1665	473
25	1531	1493	1460	684
35	1258	1129	1045	717
45	845	760	757	606
55	434	507	462	439
65	237	287	268	281
75	139	131	136	153
85	39	30	29	36
90	0	0	0	

<sup>1</sup> Tested using absolute photometry as specified in LM79: IESNA Approved Method for the Electrical and Photometric Measurements of Solid-State Lighting Products.

<sup>2</sup> Correlated Color Temperature within specs as defined in ANSI\_NEMA\_ANSI C78.377-2008: Specifications for the Chromaticity of Solid State Lighting Products.

### Coefficients of Utilization

Ceiling	80%			50%			30%			
	70	50	30	50	30	10	50	30	10	
RC	Zonal Cavity Method									
RW	Effective Floor Reflectance = 20%									
Room Cavity Ratio	1	110	106	102	100	97	94	96	94	92
2	102	94	88	89	84	81	86	82	79	
3	94	84	77	80	74	70	77	72	68	
4	87	76	68	72	66	61	70	64	60	
5	80	69	61	66	59	54	64	58	53	
6	75	63	54	60	53	48	58	52	47	
7	70	57	49	55	48	43	54	47	43	
8	65	53	45	51	44	39	50	43	39	
9	61	49	41	47	40	36	46	40	35	
10	58	45	38	44	37	33	43	37	33	

### Zonal Lumen Summary\*

Zone	Lumens	% Lamp	% Fixt.
0-30	1327	37.3	37.3
0-40	2044	57.4	57.4
0-60	3089	86.8	86.8
0-90	3559	100.0	100.0
0-180	3559	100.0	100.0

\*Total Efficiency

### Average Luminance data in candela / sq. meter

Angle	0°	45°	90°
45	1855.	1668.	1662.
55	1174.	1372.	1250.
65	870.	1054.	984.
75	834.	786.	816.
85	695.	534.	516.

### Additional Ordering Information

Catalog Number	Delivered Lumens	Input Watts	Lumens per Watt	Average initial 8'X8' footcandles	8'X8' Watts per sq. foot	Average initial 8'X10' footcandles	8'X10' Watts per sq. foot
SKS24GPK25A40ULAG	2495	30.1	82.9	39.0	0.47	31.2	0.38
SKS24GPK31A40ULAG	3111	38.5	80.8	48.6	0.60	38.9	0.48
SKS24GPK36A40ULAG	3559	44.9	79.3	55.6	0.70	44.5	0.56
SKS24GPK41A40ULAG	4098	52.9	77.5	64.0	0.83	51.2	0.66



Philips Lightolier  
 e: lol.webmaster@philips.com  
 t: (508) 679-8131, Technical info. (978) 657-7600  
 w: www.lightolier.com

SKS24G March 8, 2012

Specifications are subject to change without notice.  
 © Koninklijke Philips Electronics N.V., 2012. All rights reserved.

**Job Information** Type: