

### Ordering Information

Style	Lamps	Length	Wattage	Voltage	Color	Mounting
<b>SD</b>	<b>2</b>	<b>3</b>		<b>1</b>		
SD = Pierced	2 = 2-Lamp	3 = 3-Foot	7 = 39W 8 = 39W Dimming	1 = 120V	AL = Aluminum WH = White	F = Floor Stand P = Panel Bolt-on E = Expandable Bracket B = Binder Bin

Example = SD2371ALE

### Features

- Housing:** Extruded aluminum. Die-cast end plate mechanically attached with no exposed fasteners.
- Shielding:** Die-formed pierced 18 gauge CRS with a pierced pattern.
- Diffuser:** Translucent acrylic diffuser.
- Finish:** Powder coat baked enamel. Standard colors: white or aluminum.
- Lamp:** 2x39 watt T5HO lamps (included).

### Electrical

**Ballast:** Electronic and meets ANSI starting, end of life protection, THD and sound rating specifications.

**Switching:** On/off switch on stem. Optional cord switch available.

**Wiring:** 3-wire cord with grounded low profile plug. Minimum length 9 feet.

### Labels

UL and cUL

Job Information	Type:
<b>Job Name:</b>	
<b>Cat. No.:</b>	
<b>Lamp(s):</b>	
<b>Notes:</b>	

## Performance

### Candlepower Curve

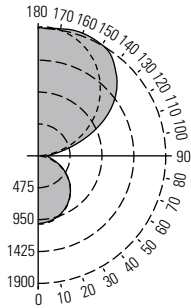
**Report No:**  
ITL54683.IES.MOD

**Catalog No:**  
F7623715xxx

**Lamps:**  
2-F39T5/HO

**Lumens:**  
3500 each

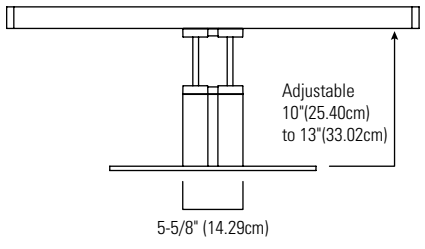
**Efficiency:**  
95.7%



### Coefficients of Utilization

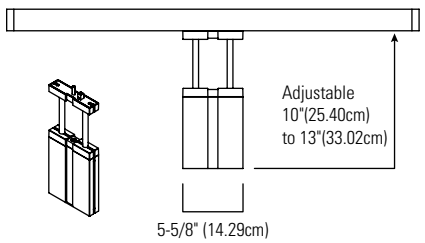
	% Effective Ceiling Cavity Reflectance								
	80			70			50		
	50	30	10	50	30	10	50	30	10
0	81	81	81	73	73	73	58	58	58
1	70	67	64	63	60	58	50	48	47
2	61	56	52	55	51	47	44	41	38
3	53	48	43	48	43	39	38	35	32
4	47	41	36	43	37	33	34	30	27
5	42	36	31	38	32	28	30	26	23
6	37	31	27	34	28	24	27	23	20
7	34	28	23	30	25	21	24	20	18
8	30	24	20	28	22	19	22	18	15
9	28	22	18	25	20	17	20	16	14
10	25	20	16	23	18	15	19	15	12

Zone	Zonal Lumen Summary		
	Lumens	% Barelamp	% Luminaire
0-90	2100	30.0	31.4
90-180	4597	65.7	68.6
0-180	6697	95.7	100.0



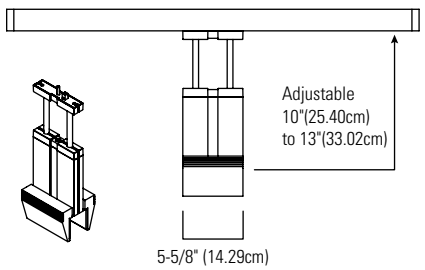
#### Binder Bin Mount Weighted Base

Weighted base allows fixture to sit atop shelves or overhead cabinets. Not recommended for use in seismic areas.



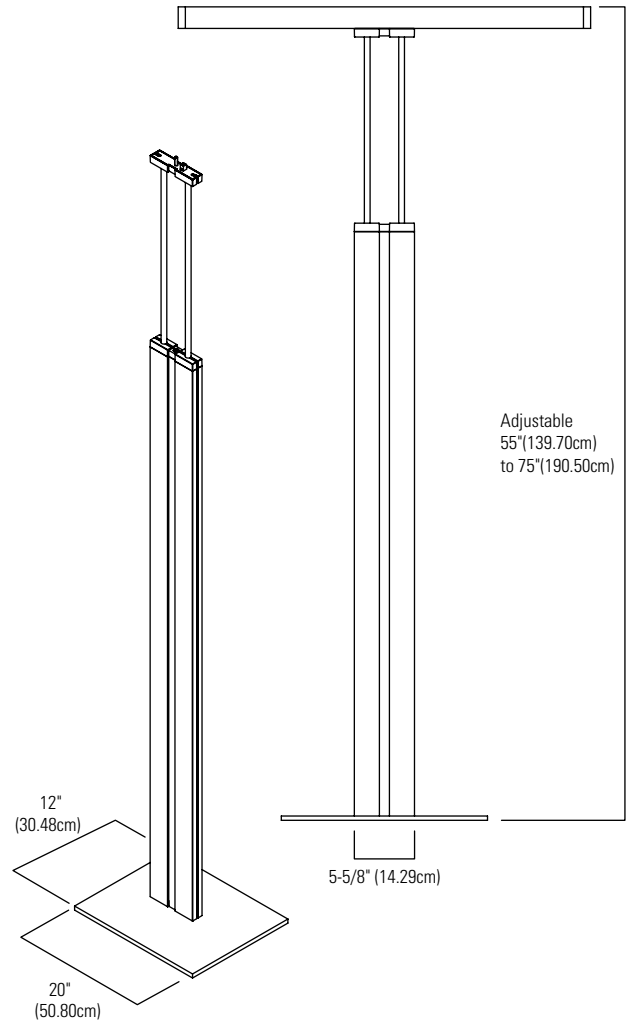
#### Panel Mount (Bolt-On)

Bolts to the top of furniture systems or short walls. A small steel bracket is bolted through the top cap. The stem assembly slides onto this bracket and is held in place with hidden set screws.



#### Expandable Bracket

This adjustable bracket clamps onto furniture systems ranging from 2 inches (5.08cm) to 4 inches (10.16cm) thick.



#### Floor Stand

<b>Job Information</b>	<b>Type:</b>
------------------------	--------------