

# QVS2GPF0B232

## ALTER SMARTVISION

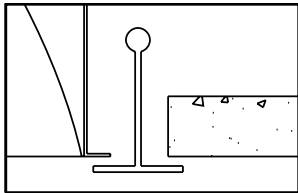
2' X 4' RECESSED DIRECT/INDIRECT FLUORESCENT  
2 LAMP, T8, 5 1/2" DEEP  
MICROPERFORATED MESH LAMP SHIELD  
STATIC

- Efficiency 58.4%.
- Broadcast 4: Broadcast control requires no programming of the iGEN ballasts. Dimming message are sent with a global address from the master Alter Smart Vision luminaire to up to 3 slaves luminaire with an iGEN address able ballast (DA). Each ballast receives the same command and responds uniformly.
- Swing down microperforated lamp shield for easy relamping and maintenance.
- Lamp shield specially cut to accomodate Smart Vision sensor.
- Alter soft white film on inside of mesh conceals lamp image providing balance between reflected and direct light.
- Fully recessed luminaire and lamp compartment.
- 95% Reflective Alter soft white paint finish.
- Specular interior reflector.
- One piece body for easy installation.
- Easy access to ballast through lamp compartment.
- Fits standard T-Grid ceilings.
- Optional acrylic drop-down visual element.

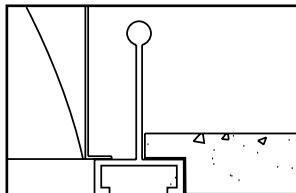


### MOUNTING METHODS/FEATURES

Ceiling compatibility

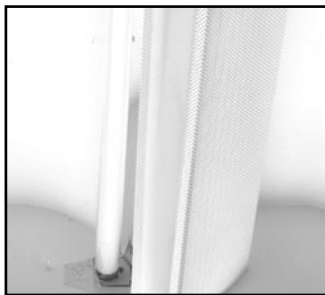


Suited to standard exposed T-grid ceilings

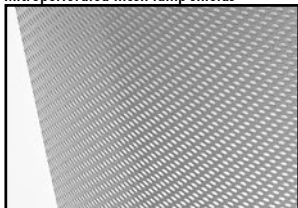


Suited to standard exposed Slot T-grid ceilings

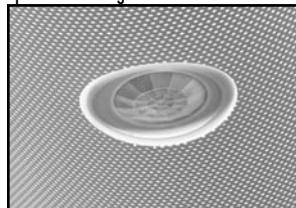
Swing down optical system for easy relamping and maintenance



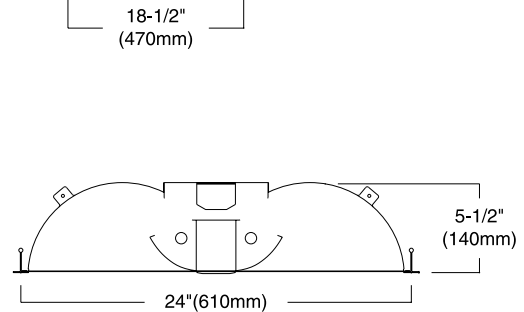
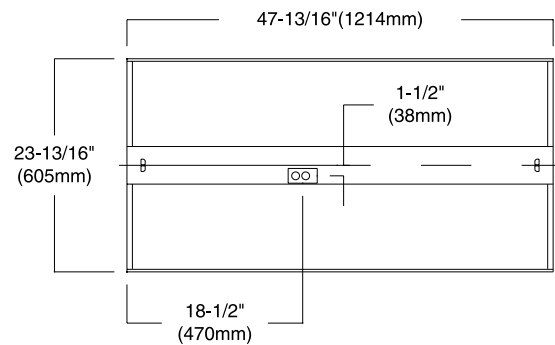
Microperforated mesh lamp shields



integrated motion and light sensor with optional dimming infrared remote control



### DIMENSIONS



FIXTURE TYPE

VOLTS

JOB INFORMATION:	

# QVS2GPFOB232

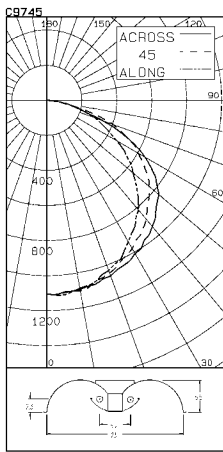
# ALTER SMARTVISION 2' X 4' RECESSED DIRECT/INDIRECT FLUORESCENT

CERTIFIED TEST REPORT NO. LSC9745  
COMPUTED BY LSC PROGRAM \*\*TEST-LITE\*\*

LIGHTOLIER-CFI 2x4 RECESSED LUMINAIRE CAT. NO. QVS2GPFOB232120S0  
WHITE PAINT REFLECT., SILVER BALL. COVER, MICRO-PERF. LAMP SHIELD, OCC. SENSOR  
TWO 32W T8 FLUORESCENT LAMPS. LUMEN RATING = 2950 LMS.  
ONE LIGHTOLIER CONTROLS 120-277V 2-LAMP ELECTRONIC BALLAST NO. HDP232T8UNV

LIGHTING SCIENCES CANADA LTD.  
440 PHILLIP ST., UNIT 19  
WATERLOO, ONTARIO

CERTIFIED TEST REPORT NO. LSC9745  
COMPUTED BY LSC PROGRAM \*\*TEST-LITE\*\*



ANGLE	ALONG	45	ACROSS	OUTPUT LUMENS
0	1103	1103	1103	1103
5	1113	1103	1098	1095
10	1087	1100	1103	1092
15	1071	1068	1069	1074
20	1033	1042	1049	1054
25	999	996	1008	1030
30	931	952	975	1005
35	878	899	925	974
40	815	830	885	923
45	732	770	819	874
50	644	684	762	812
55	557	609	689	736
60	459	531	604	646
65	369	434	511	515
70	290	351	401	359
75	198	255	241	200
80	116	141	103	106
85	36	32	36	39
90	1	0	4	0

ZONAL LUMENS AND PERCENTAGES

ZONE	LUMENS	% LAMP	% LUMINAIRE
0-30	876	14.85	25.44
0-40	1458	24.72	42.33
0-60	2697	45.55	78.00
0-90	3445	58.39	100.00
40-90	1986	33.67	57.67
60-90	757	12.85	22.00
90-180	0	.00	.00
0-180	3445	58.39	100.00

\*\* EFFICIENCY = 58.4% \*\*

LUMINANCE SUMMARY-CD. / SQ. M.

ANGLE	ALONG	45	ACROSS
45	1480	1663	1794
55	1390	1725	1899
65	1249	1735	1750
75	1095	1333	1039
85	584	586	573

S/MH = 1.4  
SC(ALONG) = 1.3, SC(ACROSS) = 1.4  
CERTIFIED BY: DATE: MAY 16, 2003  
PREPARED FOR: LIGHTOLIER-CFI  
CORNWALL, ONTARIO

TESTED ACCORDING TO IES PROCEDURES. TEST DISTANCE EXCEEDS FIVE TIMES THE GREATEST LUMINOUS OPENING OF LUMINAIRE.

LIGHTOLIER-CFI 2x4 RECESSED LUMINAIRE CAT. NO. QVS2GPFOB232120S0  
WHITE PAINT REFLECT., SILVER BALL. COVER, MICRO-PERF. LAMP SHIELD, OCC. SENSOR  
TWO 32W T8 FLUORESCENT LAMPS. LUMEN RATING = 2950 LMS.  
ONE LIGHTOLIER CONTROLS 120-277V 2-LAMP ELECTRONIC BALLAST NO. HDP232T8UNV

COEFFICIENTS OF UTILIZATION

ZONAL CAVITY METHOD

EFFECTIVE FLOOR CAVITY REFLECTANCE = .20

CC WALL	80	70	50	30	10	0
70	50	30	10	70	50	30
50	30	10	50	30	10	50
30	10	50	30	10	50	30
10	50	30	10	50	30	10
0	50	30	10	50	30	10

RCR

0	.70	.70	.70	.70	.68	.68	.68	.68	.65	.65	.65	.62	.62	.62	.60	.60	.60	.58
1	.64	.61	.59	.57	.62	.60	.58	.56	.57	.56	.54	.55	.54	.52	.53	.52	.51	.50
2	.58	.54	.50	.47	.57	.53	.49	.46	.51	.48	.45	.49	.46	.44	.47	.45	.43	.42
3	.53	.47	.43	.39	.52	.46	.42	.39	.45	.41	.38	.43	.40	.38	.42	.39	.37	.36
4	.49	.42	.37	.33	.48	.41	.37	.33	.40	.36	.33	.38	.35	.32	.37	.34	.32	.30
5	.44	.37	.32	.28	.43	.36	.31	.28	.35	.31	.27	.34	.30	.27	.33	.30	.27	.26
6	.41	.33	.28	.24	.40	.32	.27	.24	.31	.27	.24	.30	.26	.23	.29	.26	.23	.22
7	.37	.29	.24	.21	.37	.29	.24	.21	.28	.24	.20	.27	.23	.20	.27	.23	.20	.19
8	.34	.26	.21	.18	.34	.26	.21	.18	.25	.21	.18	.24	.20	.17	.24	.20	.17	.16
9	.32	.24	.19	.15	.31	.23	.19	.15	.23	.18	.15	.22	.18	.15	.21	.18	.15	.14
10	.29	.22	.17	.13	.29	.21	.17	.13	.21	.16	.13	.20	.16	.13	.19	.16	.13	.12

DETERMINED IN ACCORDANCE WITH CURRENT IES PUBLISHED PROCEDURES  
LUMINAIRE INPUT WATTS = 64.4  
LABORATORY RESULT MAY NOT BE REPRESENTATIVE OF FIELD PERFORMANCE.  
BALLAST FACTORS HAVE NOT BEEN APPLIED.

## ORDERING INFORMATION Explanation of Catalogue Number Example: QVS2GPFOB232120DS

<b>QVS</b>	<b>2</b>	<b>G</b>	<b>PF</b>	<b>OB</b>	<b>2</b>	<b>32</b>	<b>120</b>	<b>DS</b>	
QUALITY VISUAL STATIC Recessed direct indirect soft light optical system	FIXTURE WIDTH 2'	CEILING TYPE Standard exposed T-grid ceilings	LAMP SHIELD PF = Micro-perforated	LAMP SHIELD DETAILS OB = One-piece lamp shield with sensor	LAMP QUANTITY	LAMP/FIXTURE LENGTH (NOMINAL 24") 32 = 32W T8	VOLTAGE 120V	OPTIONS R = Radio Interface Filter O = Emergency Lighting System (for Canada) N = Emergency Lighting System (for U.S.)	

BALLAST TYPE

DS = iGEN Broadcast 4 Sensor/ iGEN ballast\*

\* For other voltage, consult your Lightolier representative.

## SPECIFICATIONS

**MATERIALS:** One piece chassis constructed from die formed 20 gauge cold rolled steel. **Reflectors** - 95% reflectance baked white acrylic matte paint finish. Specular interior reflector. Soft white acrylic film on inside of lamp shield conceals lamp image.  
**FINISH:** Chassis exterior - phosphate undercoating, baked white acrylic matte high reflectance paint finish.

**ELECTRICAL:** Rapid start HPF, thermally protected class "P" ballast (Bi-tube type). If K.O.s are within 3" of ballast use wire suitable for at least 90C.  
**LABELS:** Listed by CSA, UL

We reserve the right to change, materials and finish in any way that will not alter installed appearance or reduce function and performance.

Genlyte Thomas Company

631 Airport Road, Fall River, MA 02720 - Tel. (508) 679-8131  
C.F.I. Division of Canlyte, Inc.  
525 Education Road, Cornwall, Ontario  
Canada K6H 6C7 - (613) 938-6221