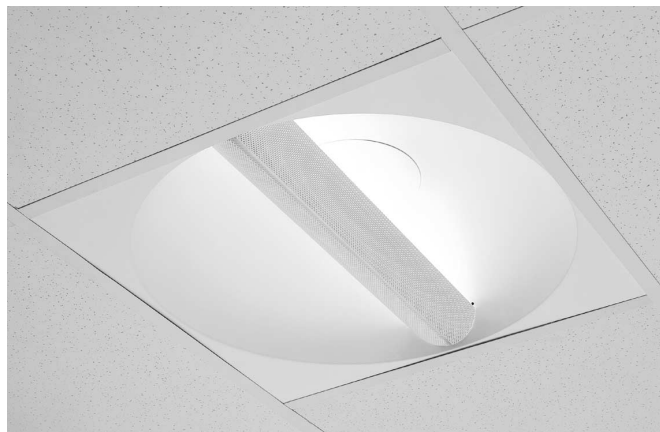


2'x2' ROUND RECESSED DIRECT/INDIRECT FLUORESCENT
1 LAMP, TT5 BI-TUBE, 7 15/16" DEEP
MICROPERFORATED MESH LAMP SHIELD, STATIC

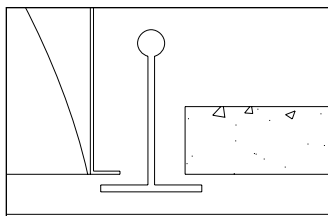
Features

- Efficiency 53.8%.
- Dual swing down microperforated lamp shields separated by luminous strip for easy relamping and maintenance.
- Alter soft white film on inside of mesh conceals lamp image providing balance between reflected and direct light.
- Fully recessed luminaire.
- 95% Reflective Alter soft white paint finish.
- One piece body for easy installation.
- Exclusive socket locks lamp into place.
- Easy access to ballast through lamp compartment.
- Fits standard T-Grid ceilings.



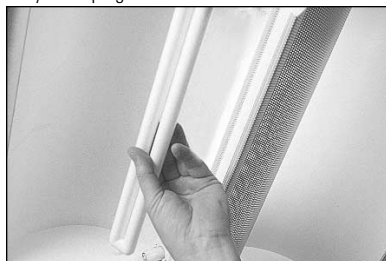
Mounting Methods / Features

Ceiling compatibility

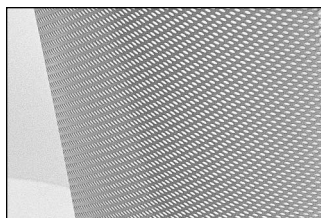


Suited to standard exposed T-grid ceilings

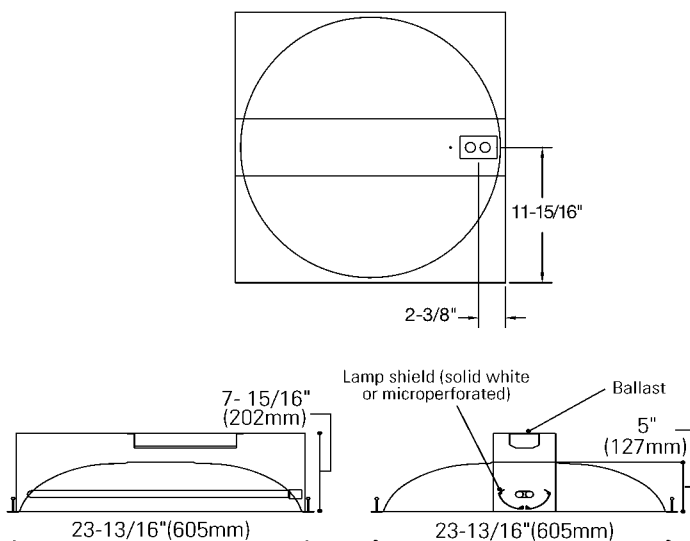
Swing down optical system for easy relamping and maintenance



Microperforated mesh lamp shields



Dimensions



Job Information

Type:

Job Name:

Cat. No.:

Lamp(s):

Volts/Ballast:

Lightolier a Genlyte Thomas Company

www.lightolier.com

Technical Information: (978) 657-7600 • Fax (978) 658-0595

631 Airport Road, Fall River, MA 02720 • (508) 679-8131 • Fax (508) 674-4710

We reserve the right to change details of design, materials and finish.

© 2002 Genlyte Thomas Group LLC (Lightolier Division)

A0902

Section 5 / Folio L50-15

LIGHTOLIER®

ALTER SOFT LIGHTS QVS2GPFOS1FT 1X50W

2'x2' ROUND RECESSED DIRECT/INDIRECT FLUORESCENT 1 LAMP, TT5 BI-TUBE, 7 15/16" DEEP MICROPERFORATED MESH LAMP SHIELD, STATIC

Photometry

LEC LIGHTING SCIENCES CANADA LTD.
440 Phillip St. Unit 19, Waterloo, Ont., Canada N2L 5R9
Tel: (519) 748-3140 Fax: (519) 748-3156

CERTIFIED TEST REPORT NO. LSC7136
COMPUTED BY LSC PROGRAM **TEST-LITE**

CPI ALTER 2x2 RECESSED INDIRECT FIXTURE CAT. NO. QVS2GPFOS1U4120SB
WITH WHITE PAINTED INTERIOR AND PERFORATED LAMP SHIELDS WITH TRANSLUCENT LENSES
ONE 40W PL-L COMPACT FLUORESCENT LAMP. LUMEN RATING = 3150 LMS.
ROBERTSON 120V 1-LAMP MAGNETIC BALLAST NO. RERL178-120

CANDLEPOWER SUMMARY OUTPUT LUMENS

ANGLE ALONG	22.5	45	67.5	ACROSS
0	590	590	590	590
5	588	588	589	588
10	578	580	581	582
15	562	566	569	573
20	545	547	553	558
25	517	524	532	541
30	488	494	508	518
35	454	464	478	489
40	418	427	443	454
45	375	387	406	418
50	329	347	361	376
55	282	297	315	327
60	233	249	267	276
65	186	198	213	220
70	139	148	156	165
75	96	98	92	86
80	53	50	43	48
85	16	15	18	17
90	0	0	0	0

ZONAL LUMENS AND PERCENTAGES

ZONE	LUMENS	% LAMP	% LAMINAIRE
0-30	462	14.67	27.63
0-40	759	24.11	45.42
0-60	1348	42.83	80.66
0-90	1672	53.09	100.00
40-90	912	28.98	54.58
60-90	323	10.27	19.34
90-180	0	.00	.00
0-180	1672	53.09	100.00

LUMINANCE SUMMARY-CD. / SQ. M. PAINT REFLECTANCE = .91 S/MH = 1.3
SC(ALONG) = 1.2, SC(ACROSS) = 1.3

ANGLE ALONG 45 ACROSS
45 1553 1689 1783
55 1439 1616 1731
65 1286 1483 1533
75 1082 1040 972
85 522 593 539

CERTIFIED BY: *Charles Swann* DATE: NOV 6, 1997
PREPARED FOR: CANADIAN FLUORESCENT INDUSTRIES
CORNWALL, ONTARIO

TESTED ACCORDING TO IES PROCEDURES. TEST DISTANCE EXCEEDS FIVE TIMES THE GREATEST LUMINOUS OPENING OF LUMINAIRE.

LIGHTING SCIENCES CANADA LTD.
440 PHILLIP ST. UNIT 19
WATERLOO, ONTARIO CANADA N2L 5R9

CERTIFIED TEST REPORT NO. LSC7136
COMPUTED BY LSC PROGRAM **TEST-LITE**

CPI ALTER 2x2 RECESSED INDIRECT FIXTURE CAT. NO. QVS2GPFOS1U4120SB
WITH WHITE PAINTED INTERIOR AND PERFORATED LAMP SHIELDS WITH TRANSLUCENT LENSES
ONE 40W PL-L COMPACT FLUORESCENT LAMP. LUMEN RATING = 3150 LMS.
ROBERTSON 120V 1-LAMP MAGNETIC BALLAST NO. RERL178-120

COEFFICIENTS OF UTILIZATION
ZONAL CAVITY METHOD
EFFECTIVE FLOOR CAVITY REFLECTANCE = .20

CC WALL	80	70	50	30	10	0
0	.63	.63	.63	.62	.62	.62
1	.58	.56	.54	.52	.57	.55
2	.54	.50	.46	.44	.52	.49
3	.49	.44	.40	.37	.48	.43
4	.45	.39	.35	.32	.44	.39
5	.42	.35	.31	.27	.40	.35
6	.38	.32	.27	.24	.37	.31
7	.35	.28	.24	.21	.34	.28
8	.33	.26	.21	.18	.32	.25
9	.30	.23	.19	.16	.29	.23
10	.28	.21	.17	.14	.27	.21

RCR
0 .63 .63 .63 .63 .62 .62 .62 .62 .59 .59 .59 .56 .56 .56 .54 .54 .54 .53
1 .58 .56 .54 .52 .57 .55 .53 .51 .53 .51 .50 .51 .49 .48 .49 .48 .47 .46
2 .54 .50 .46 .44 .52 .49 .46 .43 .47 .44 .42 .45 .43 .41 .44 .42 .40 .39
3 .49 .44 .40 .37 .48 .43 .39 .36 .42 .38 .36 .40 .38 .35 .39 .37 .35 .34
4 .45 .39 .35 .32 .44 .39 .35 .31 .37 .34 .31 .36 .33 .31 .35 .32 .30 .29
5 .42 .35 .31 .27 .40 .35 .30 .27 .33 .30 .27 .32 .29 .27 .31 .29 .26 .25
6 .38 .32 .27 .24 .37 .31 .27 .24 .30 .26 .23 .29 .26 .23 .28 .25 .23 .22
7 .35 .28 .24 .21 .34 .28 .23 .20 .27 .23 .20 .26 .23 .20 .26 .22 .20 .19
8 .33 .26 .21 .18 .32 .25 .21 .18 .24 .21 .18 .24 .20 .18 .23 .20 .18 .17
9 .30 .23 .19 .16 .29 .23 .19 .16 .22 .18 .16 .22 .18 .16 .21 .18 .15 .15
10 .28 .21 .17 .14 .27 .21 .17 .14 .20 .17 .14 .20 .16 .14 .19 .16 .14 .13

DETERMINED IN ACCORDANCE WITH CURRENT IES PUBLISHED PROCEDURES
LABORATORY RESULT MAY NOT BE REPRESENTATIVE OF FIELD PERFORMANCE.
BALLAST FACTORS HAVE NOT BEEN APPLIED.

Ordering Information

Explanation of Catalog Number. Example: QVS2GPFOS1FT120SB

QVR QUALITY VISUAL STATIC Recessed direct indirect soft light optical system	2 FIXTURE WIDTH: 2'	G CEILING TYPE: Standard exposed T-grid ceilings	PF LAMP SHIELD: PF = Microperforated	OS OS = Open slot (no acrylic)	1 LAMP QUANTITY	FT LAMP/FIXTURE LENGTH: (NOMINAL 24") FT = TT5 Bi-Tube	VOLTAGE: 120V 277V 347V	OPTIONS: R = Radio Interference Filter
---	----------------------------------	---	---	--	---------------------------	--	---	--

*Not available in 347V.

Specifications

MATERIALS: One piece chassis constructed from die formed 20 gauge cold rolled steel. Reflectors - 95% reflectance baked white acrylic matte paint finish. Soft white acrylic film on inside of lamp shield conceals lamp image.

FINISH: Chassis exterior - phosphate undercoating, baked white acrylic matte high reflectance paint finish.

ELECTRICAL: Rapid start HPF, thermally protected class "P" ballast (Bi-tube type). If K.O.s are within 3" of ballast use wire suitable for at least 90C.

LABELS: Listed by



Job Information

Type:

Lightolier a Genlyte Thomas Company www.lightolier.com
Technical Information: (978) 657-7600 • Fax (978) 658-0595
631 Airport Road, Fall River, MA 02720 • (508) 679-8131 • Fax (508) 674-4710
We reserve the right to change details of design, materials and finish.
© 2002 Genlyte Thomas Group LLC (Lightolier Division)
A0902 Section 5 / Folio L50-15

LIGHTOLIER®