

QVE2GPFOS

3 X T5

ALTER ELEGANCE

2' X 4' RECESSED FLUORESCENT

3 LAMP, T5, 3 1/2" DEEP

MICROPERFORATED MESH LAMP SHIELD

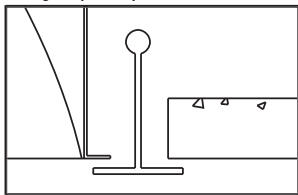
STATIC

- Efficiency 50.8%.
- Use linear T5 technology.
- Only 3 1/2" deep.
- Swing down microperforated lamp shield for easy relamping and maintenance.
- Alter soft white film on inside of mesh conceals lamp image and provide balance between reflected light and direct light.
- Fully recessed luminaire and lamp compartment.
- 95% Reflective Alter soft white paint finish.
- Specular interior reflector.
- One piece body for easy installation.
- Easy access to ballast through lamp compartment.
- Fits standard T-Grid ceilings.
- Optional acrylic drop-down visual element.

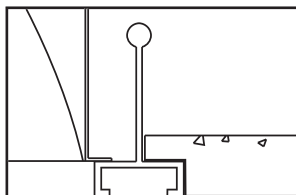


MOUNTING METHODS/FEATURES

Ceiling compatibility

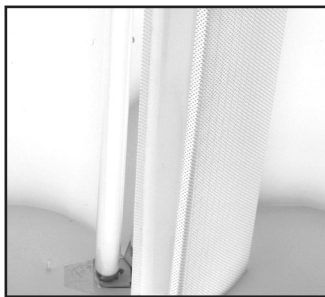


Suited to standard exposed T-grid ceilings

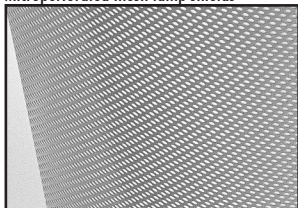


Suited to standard exposed Slot T-grid ceilings

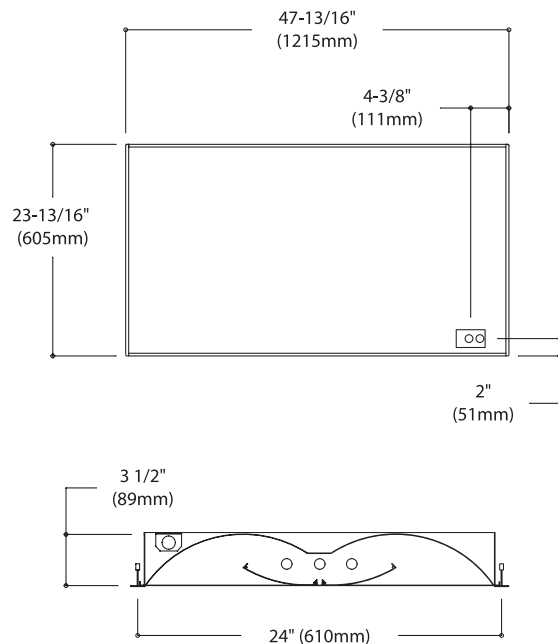
Swing down optical system for easy relamping and maintenance



Microperforated mesh lamp shields



DIMENSIONS



FIXTURE TYPE	VOLTS
JOB INFORMATION: _____	

LIGHTOLIER®
Genlyte Thomas Company

QVE2GPFOS

3 X T5

ALTER ELEGANCE 2' X 4' RECESSED FLUORESCENT

Photometry

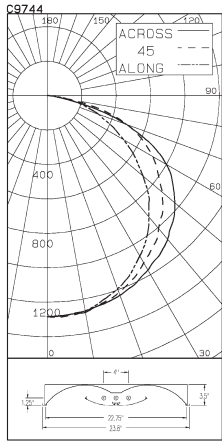
Model No. : QVE2GPFOS328120PI

CERTIFIED TEST REPORT NO. LSC9744
COMPUTED BY LSC PROGRAM **TEST-LITE**

LIGHTING SCIENCES CANADA LTD.
440 PHILLIP ST., UNIT 19
WATERLOO, ONTARIO

LIGHTOLIER-CFI 2x4 RECESSED LUMINAIRE CAT. NO. QVE2GPFOS328120PG
WITH WHITE PAINTED REFLECTORS, SILVER BALLAST COVER, 2 MICRO-PERF. LAMP SHIELDS
THREE 28W T5 FLUORESCENT LAMPS. LUMEN RATING = 2610 LMS.
ENERGY SAVINGS 120-277V 1-LAMP ELECTRONIC BALLAST NO. ES-1-T5-35/28/21/14-UNV-F
ENERGY SAVINGS 120V 2-LAMP ELECTRONIC BALLAST NO. ES-2-T5-28-120-F

CERTIFIED TEST REPORT NO. LSC9744
COMPUTED BY LSC PROGRAM **TEST-LITE**



CANDLEPOWER SUMMARY				OUTPUT LUMENS
ANGLE	ALONG	45	67.5	ACROSS
0	1284	1284	1284	1284
5	1281	1282	1285	1273
10	1270	1277	1273	1271
15	1233	1242	1248	1254
20	1195	1211	1218	1221
25	1144	1159	1177	1194
30	1075	1098	1121	1152
35	1007	1034	1071	1114
40	918	954	1008	1066
45	838	872	950	1000
50	727	787	872	936
55	624	688	786	863
60	512	588	709	781
65	414	500	611	648
70	317	406	495	497
75	213	316	340	289
80	131	206	140	84
85	46	45	29	31
90	2	3	1	0

ZONAL LUMENS AND PERCENTAGES			
ZONE	LUMENS	% LAMP	%LUMINAIRE
0-30	1016	12.98	25.27
0-40	1686	21.54	41.91
0-60	3100	39.59	77.04
0-90	4023	51.39	100.00
40-90	2337	29.85	58.09
60-90	923	11.80	22.96
90-180	0	.00	.00
0-180	4023	51.39	100.00

** EFFICIENCY = 51.4% **

LUMINANCE SUMMARY-CD. / SQ. M.

ANGLE	ALONG	45	ACROSS
45	1713	1951	2122
55	1573	1989	2254
65	1417	2099	2282
75	1188	1902	1511
85	768	483	441

S/MH = 1.4
SC(ALONG) = 1.2, SC(ACROSS) = 1.4
CERTIFIED BY: DATE: MAY 16, 2003
PREPARED FOR: LIGHTOLIER-CFI
CORNWALL, ONTARIO

TESTED ACCORDING TO IES PROCEDURES. TEST DISTANCE EXCEEDS FIVE TIMES THE GREATEST LUMINOUS OPENING OF LUMINAIRE.

LIGHTOLIER-CFI 2x4 RECESSED LUMINAIRE CAT. NO. QVE2GPFOS328120PG
WITH WHITE PAINTED REFLECTORS, SILVER BALLAST COVER, 2 MICRO-PERF. LAMP SHIELDS
THREE 28W T5 FLUORESCENT LAMPS. LUMEN RATING = 2610 LMS.
ENERGY SAVINGS 120-277V 1-LAMP ELECTRONIC BALLAST NO. ES-1-T5-35/28/21/14-UNV-F
ENERGY SAVINGS 120V 2-LAMP ELECTRONIC BALLAST NO. ES-2-T5-28-120-F

COEFFICIENTS OF UTILIZATION

ZONAL CAVITY METHOD

EFFECTIVE FLOOR CAVITY REFLECTANCE = .20

CC WALL	80				70				50				30				10				0
	70	50	30	10	70	50	30	10	50	30	10	50	30	10	50	30	10	50	30	10	
RCR	0	.61	.61	.61	.60	.60	.60	.60	.57	.57	.57	.55	.55	.55	.52	.52	.52	.51	.51	.51	
1	.56	.54	.52	.50	.55	.53	.51	.49	.51	.49	.48	.49	.47	.46	.47	.46	.45	.44	.44	.44	
2	.51	.47	.44	.41	.50	.46	.43	.40	.44	.42	.39	.43	.41	.39	.41	.39	.38	.37	.37	.37	
3	.47	.41	.37	.34	.46	.41	.37	.34	.39	.36	.33	.38	.35	.33	.37	.34	.32	.31	.31	.31	
4	.43	.37	.32	.29	.42	.36	.32	.29	.35	.31	.28	.34	.30	.28	.32	.30	.28	.26	.26	.26	
5	.39	.32	.28	.24	.38	.32	.27	.24	.31	.27	.24	.30	.26	.24	.29	.26	.23	.22	.22	.22	
6	.36	.29	.24	.21	.35	.28	.24	.21	.27	.23	.21	.26	.23	.20	.26	.23	.20	.19	.19	.19	
7	.33	.26	.21	.18	.32	.25	.21	.18	.25	.21	.18	.24	.20	.18	.23	.20	.17	.16	.16	.16	
8	.30	.23	.19	.16	.29	.23	.18	.15	.22	.18	.15	.21	.18	.15	.21	.18	.15	.14	.14	.14	
9	.28	.21	.16	.13	.27	.20	.16	.13	.20	.16	.13	.19	.16	.13	.19	.15	.13	.12	.12	.12	
10	.26	.19	.15	.12	.25	.19	.15	.12	.18	.14	.12	.18	.14	.12	.17	.14	.11	.11	.11	.11	

DETERMINED IN ACCORDANCE WITH CURRENT IES PUBLISHED PROCEDURES
LUMINAIRE INPUT WATTS = 87.2
LABORATORY RESULT MAY NOT BE REPRESENTATIVE OF FIELD PERFORMANCE.
BALLAST FACTORS HAVE NOT BEEN APPLIED.

ORDERING INFORMATION Explanation of Catalogue Number Example: QVE2GPFOS328120PI

QVE	2	G	PF	OS	3	28	120	PI	
ALTER ELEGANCE	FIXTURE WIDTH	CEILING TYPE	LAMP SHIELD	CLEAR POLISHED ACRYLIC DROP DOWN VISUAL ELEMENT	LAMP QUANTITY	LAMP/FIXTURE LENGTH	VOLTAGE UNV (120/277V)	OPTIONS	
Recessed direct indirect soft light optical system	2'	Standard exposed T-grid ceilings	PF = Micro-perforated SD = Solid	OS = Open slot (no acrylic)		28 = 28W T5 54 = 54W T5	120, 277, 347	F = Internal Fusing (consult factory) N = Emergency Lighting System (for U.S.) O = Emergency Lighting System (for Canada) R = Radio Interface Filter	
								BALLAST	
								PI = Electronic linear T5, IS PG = T5 electronic program S. DA = iGEN DALI †	

† Not available in 347V.

SPECIFICATIONS

MATERIALS: One piece chassis constructed from die formed 20 gauge cold rolled steel. **Optic** - 95% reflectance baked white acrylic matte paint finish. Specular interior reflector. Soft white acrylic film on inside of lamp shield conceals lamp image.

FINISH: Chassis exterior - phosphate undercoating, baked white acrylic matte high reflectance paint finish.

ELECTRICAL: HPF, thermally protected class "P" ballast. If K.O.s are within 3" of ballast use wire suitable for at least 90C.

LABELS: Listed by CSA, UL

We reserve the right to change, materials and finish in any way that will not alter installed appearance or reduce function and performance.

LIGHTOLIER
Genlyte Thomas Company

631 Airport Road, Fall River, MA 02720 - Tel. (508) 679-8131
C.F.I. Division of Canlyte, Inc.
525 Education Road, Cornwall, Ontario
Canada K6H 6C7 - (613) 938-6221