

# QVA5GSDOS232 or 28 or 54

## ALTER AIR

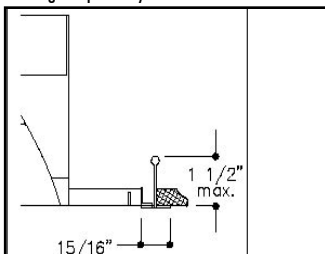
20" X 48" RECESSED DIRECT/INDIRECT FLUORESCENT  
2 LAMP, T8 OR T5, 5-1/8" DEEP  
SOLID LAMP SHIELD  
AIR SUPPLY OR AIR RETURN

- Efficiency 47%.
- Full-length air slot with right angle stiffener for maximum rigidity and no slot interference.
- Dual swing down solid lamp shields separated by luminous strip for easy relamping and maintenance.
- Fully recessed luminaire and with two separate lamp compartments.
- 95% Reflective Alter soft white paint finish.
- Specular interior reflector.
- One piece body for easy installation.
- Easy access to ballast through lamp compartment.
- Fits standard T-Grid ceilings.
- Optional acrylic drop-down visual element.



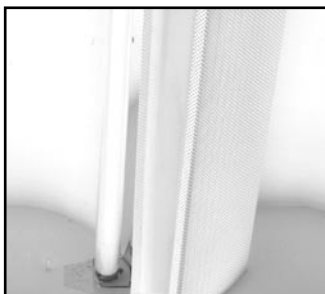
### MOUNTING METHODS/FEATURES

Ceiling compatibility

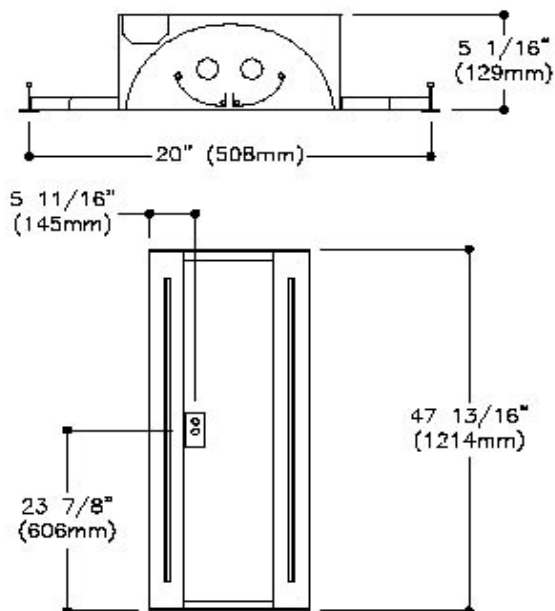


Suited to standard exposed T-grid ceilings

Swing down optical system for easy relamping and maintenance



### DIMENSIONS



FIXTURE TYPE

VOLTS

JOB INFORMATION:	

**LIGHTOLIER**  
Genlyte Thomas Company

# QVA5GSDOS232 or 28 or 54

# ALTER AIR 20" X 48" RECESSED DIRECT/INDIRECT FLUORESCENT

## Photometry

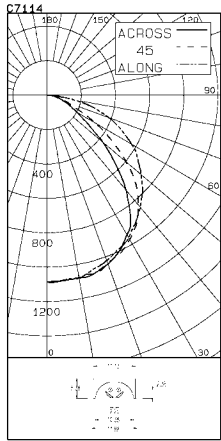
Model No. : QVA5GSDOS232120SO

CERTIFIED TEST REPORT NO. LSC7114  
COMPUTED BY LSC PROGRAM \*\*TEST-LITE\*\*

LIGHTING SCIENCES CANADA LTD.  
440 PHILLIP ST. UNIT 19  
WATERLOO, ONTARIO CANADA N2L 5R9

CFI ALTER 1x4 RECESSED INDIRECT FIXTURE CAT. NO. QV5IGSDOS240120SO  
WITH WHITE PAINTED INTERIOR AND SOLID SPECULAR LAMP SHIELDS  
TWO F32T8/TL841 32W T8 FLUORESCENT LAMPS. LUMEN RATING = 3000 LMS.  
ADVANCE 120V 1 OR 2-LAMP ELECTRONIC BALLAST NO. REL-2P32-RH-TP

CERTIFIED TEST REPORT NO. LSC7114  
COMPUTED BY LSC PROGRAM \*\*TEST-LITE\*\*



CANDLEPOWER SUMMARY				OUTPUT LUMENS
ANGLE	ALONG	45	67.5	ACROSS
0	1086	1086	1086	1086
5	1084	1085	1080	1083
10	1080	1080	1077	1090
15	1048	1061	1075	1073
20	1023	1035	1039	1044
25	988	1003	1015	1003
30	957	960	969	947
35	905	918	912	867
40	850	856	829	758
45	792	795	737	614
50	720	717	606	472
55	647	625	462	326
60	573	528	329	217
65	479	396	200	158
70	386	262	131	113
75	280	127	91	73
80	159	57	44	45
85	45	14	18	21
90	0	0	0	0

CFI ALTER 1x4 RECESSED INDIRECT FIXTURE CAT. NO. QV5IGSDOS240120SO  
WITH WHITE PAINTED INTERIOR AND SOLID SPECULAR LAMP SHIELDS  
TWO F32T8/TL841 32W T8 FLUORESCENT LAMPS. LUMEN RATING = 3000 LMS.  
ADVANCE 120V 1 OR 2-LAMP ELECTRONIC BALLAST NO. REL-2P32-RH-TP

### COEFFICIENTS OF UTILIZATION

#### ZONAL CAVITY METHOD

EFFECTIVE FLOOR CAVITY REFLECTANCE = .20

CC WALL	80				70				50				30				10				0
	70	50	30	10	70	50	30	10	50	30	10	50	30	10	50	30	10	50	30	10	
RCR	0	.56	.56	.56	.56	.54	.54	.54	.54	.52	.52	.52	.50	.50	.50	.48	.48	.48	.47		
1	.52	.50	.48	.47	.51	.49	.47	.46	.47	.46	.44	.45	.44	.43	.43	.43	.42	.42	.41		
2	.48	.44	.42	.39	.47	.44	.41	.39	.42	.40	.38	.40	.39	.37	.39	.38	.36	.35			
3	.44	.40	.36	.34	.43	.39	.36	.33	.38	.35	.33	.36	.34	.32	.35	.33	.32	.31			
4	.41	.36	.32	.29	.40	.35	.32	.29	.34	.31	.28	.33	.30	.28	.32	.30	.28	.27			
5	.37	.32	.28	.25	.36	.31	.27	.25	.30	.27	.25	.29	.26	.24	.28	.26	.24	.23			
6	.34	.28	.25	.22	.33	.28	.24	.22	.27	.24	.21	.26	.23	.21	.26	.23	.21	.20			
7	.32	.26	.22	.19	.31	.25	.22	.19	.25	.21	.19	.24	.21	.19	.23	.21	.18	.18			
8	.29	.23	.19	.17	.28	.23	.19	.16	.22	.19	.16	.22	.18	.16	.21	.18	.16	.15			
9	.27	.21	.17	.14	.26	.20	.17	.14	.20	.17	.14	.19	.16	.14	.19	.16	.14	.13			
10	.25	.19	.15	.13	.24	.19	.15	.13	.18	.15	.13	.18	.15	.12	.17	.14	.12	.12			

### ZONAL LUMENS AND PERCENTAGES

ZONE	LUMENS	% LAMP	% LUMINAIRE
0-30	866	14.44	30.86
0-40	1422	23.70	50.66
0-60	2387	39.79	85.06
0-90	2806	46.78	100.00
40-90	1384	23.05	49.34
60-90	419	6.99	14.94
90-180	0	.00	.00
0-180	2806	46.78	100.00

\*\* EFFICIENCY = 46.8% \*\*

### LUMINANCE SUMMARY-CD. / SQ. M.

ANGLE	ALONG	45	ACROSS
45	3559	3322	2552
55	3585	2570	1617
65	3602	1507	1114
75	3434	1118	863
85	1632	662	748

S/MH = 1.3  
SC = 1.3

CERTIFIED BY: DATE: OCT 10, 1997  
PREPARED FOR: CANADIAN FLUORESCENT INDUSTRIES  
CORNWALL, ONTARIO

TESTED ACCORDING TO IES PROCEDURES. TEST DISTANCE EXCEEDS FIVE TIMES THE GREATEST LUMINOUS OPENING OF LUMINAIRE.

DETERMINED IN ACCORDANCE WITH CURRENT IES PUBLISHED PROCEDURES  
LUMINAIRE INPUT WATTS = 54.1  
LABORATORY RESULT MAY NOT BE REPRESENTATIVE OF FIELD PERFORMANCE.  
BALLAST FACTORS HAVE NOT BEEN APPLIED.

## ORDERING INFORMATION Explanation of Catalogue Number Example: QVA5GSDOS232120SO

<b>QVA</b>	<b>5</b>	<b>G</b>	<b>SD</b>	<b>OS</b>	<b>2</b>	<b>32</b>	<b>120</b>	<b>SO</b>	
QUALITY VISUAL AIR Recessed direct indirect soft light optical system	FIXTURE WIDTH 20"	CEILING TYPE Standard exposed T-grid ceilings	LAMP SHIELD SD = Solid	CLEAR POLISHED ACRYLIC DROP DOWN VISUAL ELEMENT OS = Open slot (no acrylic) GC = Clear acrylic GG = Clear acrylic / Green projected color face GB = Clear acrylic / Blue projected color face GR = Clear acrylic / Red projected color face	LAMP QUANTITY	LAMP/FIXTURE LENGTH (NOMINAL 48") 32 = 32WT8 28 = 28WT8 54 = 54WT8	VOLTAGE 120,277 347, UNV (120/277V)	BALLAST TYPE OC = Magnetic T8 SO = Electronic T8 instant start SR = Electronic T8 rapid start PS = PowerSpec PI = T5 Elect. Instant S. PG = T5 Elect. Program S.	OPTIONS R = Radio Interface Filter O = Emergency Lighting System (for Canada) N = Emergency Lighting System (for U.S.)

## SPECIFICATIONS

**MATERIALS:** One piece chassis constructed from die formed 20 gauge cold rolled steel. **Reflectors** - 95% reflectance baked white acrylic matte paint finish. Specular aluminum interior reflector (only with solid shield). Soft white acrylic film on inside of lamp shield conceals lamp image. **FINISH:** Chassis exterior - phosphate undercoating, baked white acrylic matte high reflectance paint finish.

**ELECTRICAL:** Rapid start HPF, thermally protected class "P" ballast (Bi-tube type). If K.O.s are within 3" of ballast use wire suitable for at least 90C. **LABELS:** Listed by CSA, UL

We reserve the right to change, materials and finish in any way that will not alter installed appearance or reduce function and performance.

Genlyte Thomas Company

631 Airport Road, Fall River, MA 02720 - Tel. (508) 679-8131  
C.F.I. Division of Canlyte, Inc.  
525 Education Road, Cornwall, Ontario  
Canada K6H 6C7 - (613) 938-6221