

QVA2GPSDOS232 or 28 or 54

ALTER AIR

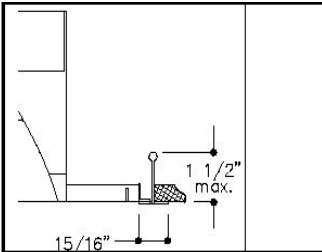
2' X 4' RECESSED DIRECT/INDIRECT FLUORESCENT
 2 LAMP, T8 OR T5, 5 1/8" DEEP
 MICROPERFORATED MESH LAMP SHIELD
 AIR SUPPLY OR AIR RETURN

- Efficiency 49.2%.
- Full-length air slot with right angle stiffener for maximum rigidity and no slot interference.
- Swing down solid lamp shield for easy relamping and maintenance.
- Fully recessed luminaire and lamp compartment.
- 95% Reflective Alter soft white paint finish.
- Specular interior reflector.
- Easy access to ballast through lamp compartment.
- Fits standard T-Grid ceilings.
- Optional acrylic drop-down visual element.



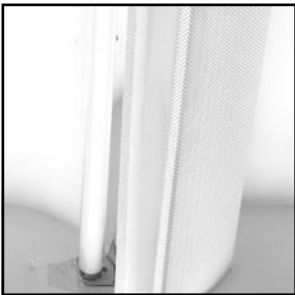
MOUNTING METHODS/FEATURES

Ceiling compatibility

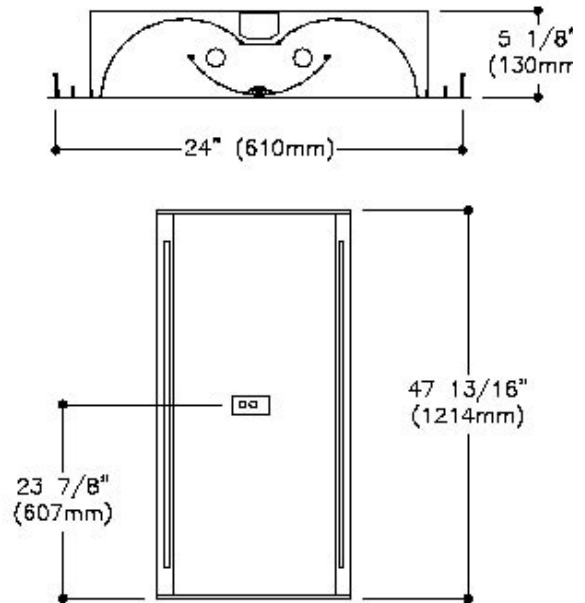


Suited to standard exposed T-grid ceilings

Swing down optical system for easy relamping and maintenance



DIMENSIONS



FIXTURE TYPE	VOLTS
JOB INFORMATION: _____	

LIGHTOLIER[®]
 a Genlyte Thomas Company

QVA2GPSDOS232 or 28 or 54

ALTER AIR 2' X 4' RECESSED DIRECT/INDIRECT FLUORESCENT

Photometry

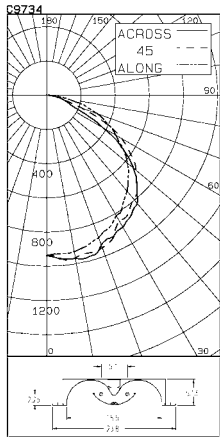
Model No. : QVA2GSDOS232120SO

CERTIFIED TEST REPORT NO. LSC9734
COMPUTED BY LSC PROGRAM **TEST-LITE**

LIGHTOLIER-CFI 2x4 RECESSED LUMINAIRE CAT. NO. QVA2GSDOS232120SO
WHITE PAINTED REFLECTORS, SILVER BALLAST COVER, AND TWO-PIECE SOLID LAMP SHIELD
TWO 32W T8 FLUORESCENT LAMPS. LUMEN RATING = 2950 LMS.
ONE ADVANCE 120V 1 OR 2-LAMP ELECTRONIC BALLAST NO. REL-2F32-SC

LIGHTING SCIENCES CANADA LTD.
440 PHILLIP ST., UNIT 19
WATERLOO, ONTARIO

CERTIFIED TEST REPORT NO. LSC9734
COMPUTED BY LSC PROGRAM **TEST-LITE**



ANGLE	ALONG	45	67.5	ACROSS	OUTPUT LUMENS
0	938	938	938	938	938
5	930	952	959	967	961
10	929	964	965	964	970
15	911	957	955	972	975
20	887	921	949	945	933
25	859	899	920	895	914
30	813	873	850	884	890
35	776	843	835	857	860
40	731	788	792	807	825
45	675	717	740	754	749
50	615	651	680	670	662
55	545	580	599	560	541
60	467	515	507	419	383
65	394	431	373	247	209
70	315	338	214	137	140
75	227	223	101	104	101
80	128	99	66	66	64
85	48	32	26	26	25
90	0	0	0	0	0

ZONAL LUMENS AND PERCENTAGES

ZONE	LUMENS	% LAMP	% LUMINAIRE
0-30	775	13.15	26.74
0-40	1297	21.99	44.72
0-60	2368	40.14	81.63
0-90	2901	49.17	100.00
40-90	1603	27.18	55.28
60-90	533	9.03	18.37
90-180	0	.00	.00
0-180	2901	49.17	100.00

** EFFICIENCY = 49.2% **

LUMINANCE SUMMARY-CD. / SQ. M.

S/MH = 1.4

SC(ALONG) = 1.3, SC(ACROSS) = 1.4

ANGLE	ALONG	45	ACROSS
45	1699	1868	1890
55	1690	1864	1683
65	1658	1574	883
75	1562	691	696
85	970	527	522

CERTIFIED BY: _____ DATE: MAY 5, 2003
PREPARED FOR: LIGHTOLIER-CFI
CORNWALL, ONTARIO

TESTED ACCORDING TO IES PROCEDURES. TEST DISTANCE EXCEEDS FIVE TIMES THE GREATEST LUMINOUS OPENING OF LUMINAIRE.

COEFFICIENTS OF UTILIZATION

ZONAL CAVITY METHOD

EFFECTIVE FLOOR CAVITY REFLECTANCE = .20

CC WALL	80		70		50		30		10		0							
	70	50	30	10	70	50	30	10	50	30	10	50	30	10	0			
RCR	0	.59	.59	.59	.57	.57	.57	.57	.55	.55	.55	.52	.52	.52	.50	.50	.50	.49
1	.54	.52	.50	.48	.53	.51	.49	.48	.49	.47	.46	.47	.46	.45	.45	.44	.43	.42
2	.50	.46	.43	.40	.48	.45	.42	.40	.43	.41	.39	.42	.40	.38	.40	.39	.37	.36
3	.45	.41	.37	.34	.44	.40	.36	.34	.39	.36	.33	.37	.35	.33	.36	.34	.32	.31
4	.42	.36	.32	.29	.41	.36	.32	.29	.34	.31	.28	.33	.30	.28	.32	.30	.28	.27
5	.38	.32	.28	.24	.37	.31	.27	.24	.30	.27	.24	.29	.26	.24	.28	.26	.24	.23
6	.35	.29	.24	.21	.34	.28	.24	.21	.27	.24	.21	.26	.23	.21	.26	.23	.20	.19
7	.32	.26	.21	.18	.31	.25	.21	.18	.24	.21	.18	.24	.20	.18	.23	.20	.18	.17
8	.30	.23	.19	.16	.29	.22	.18	.16	.22	.18	.16	.21	.18	.15	.21	.18	.15	.14
9	.27	.21	.16	.13	.26	.20	.16	.13	.20	.16	.13	.19	.16	.13	.18	.15	.13	.12
10	.25	.19	.14	.12	.25	.18	.14	.12	.18	.14	.12	.17	.14	.12	.17	.14	.12	.11

DETERMINED IN ACCORDANCE WITH CURRENT IES PUBLISHED PROCEDURES
LUMINAIRE INPUT WATTS = 58.2
LABORATORY RESULT MAY NOT BE REPRESENTATIVE OF FIELD PERFORMANCE.
BALLAST FACTORS HAVE NOT BEEN APPLIED.

ORDERING INFORMATION Explanation of Catalogue Number Example: QVA2GSDOS232120SO

QVA	2	G	SD	OS	2	32	120	SO	
QUALITY VISUAL AIR Recessed direct indirect soft light optical system	FIXTURE WIDTH 2'	CEILING TYPE Standard exposed T-grid ceilings	LAMP SHIELD SD = Solid	CLEAR POLISHED ACRYLIC DROP DOWN VISUAL ELEMENT OS = Open slot (no acrylic) OP = One Piece (no center slot) GC = Clear acrylic GG = Clear acrylic / Green projected color face GB = Clear acrylic / Blue projected color face GR = Clear acrylic / Red projected color face	LAMP QUANTITY	LAMP/FIXTURE LENGTH (NOMINAL 48") 32 = 32W T8 28 = 28W T5 54 = 54W T5	VOLTAGE 120,277 347,UNV (120/277V)	BALLAST TYPE OC = Magnetic T8 SO = Electronic T8 instant start SR = Electronic T8 rapid start PG = Electronic T5 Program Start PI = Electronic T5 Instant Start PB = 40W T5 PoerSpec Dimming* PS = PowerSpec PF = T5 PowerSpec Dimming* HDF Dimming T8	OPTIONS R = Radio Interface Filter O = Emergency Lighting System (for Canada) N = Emergency Lighting System (for U.S.)

*Not available in 347V.

SPECIFICATIONS

MATERIALS: One piece chassis constructed from die formed 20 gauge cold rolled steel. **Reflectors** - 95% reflectance baked white acrylic matte paint finish. Specular interior reflector.
FINISH: Chassis exterior - phosphate undercoating, baked white acrylic matte high reflectance paint finish.

ELECTRICAL: Rapid start HPF, thermally protected class "P" ballast. If K.O.s are within 3" of ballast use wire suitable for at least 90C.
LABELS: Listed by CSA, UL

We reserve the right to change, materials and finish in any way that will not alter installed appearance or reduce function and performance.

Genlyte Thomas Company

631 Airport Road, Fall River, MA 02720 - Tel. (508) 679-8131
C.F.I. Division of Canlyte, Inc.
525 Education Road, Cornwall, Ontario
Canada K6H 6C7 - (613) 938-6221