

Features

- Architecturally pleasing rounded slim profile only 3/4" deep x 4-3/4" wide.
- Provides median foot candle level of 55 on 2' x 5' desk top.
- Prismatic acrylic spread lens.
- Flush push button switch.
- Electronic program start <10 THD ballast.
- Lamp T2 13W, CRI=80, color temperature 3500K, lamp is included.
- Nine foot straight black cord.
- Baked pewter polyester enamel finish.
- Meets New York City requirements for task lighting.

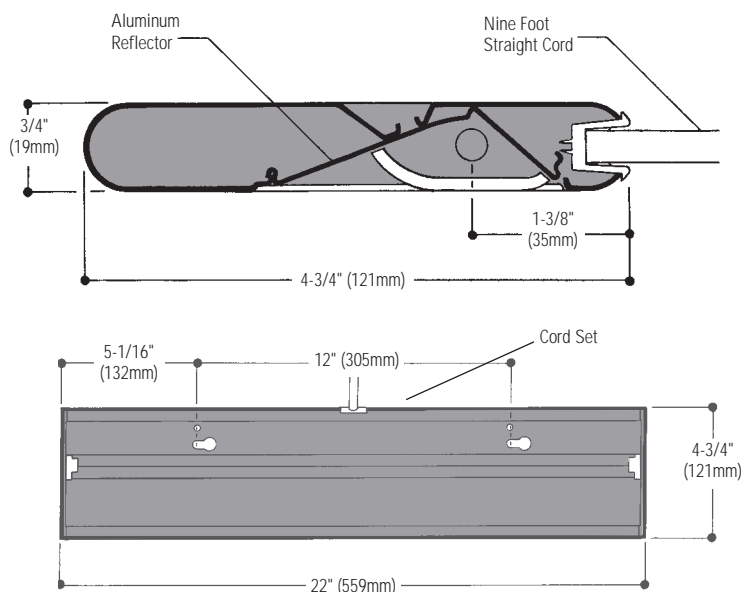


Features

Architecturally pleasing rounded slim profile only 3/4" deep x 4-3/4" wide.



Dimensions



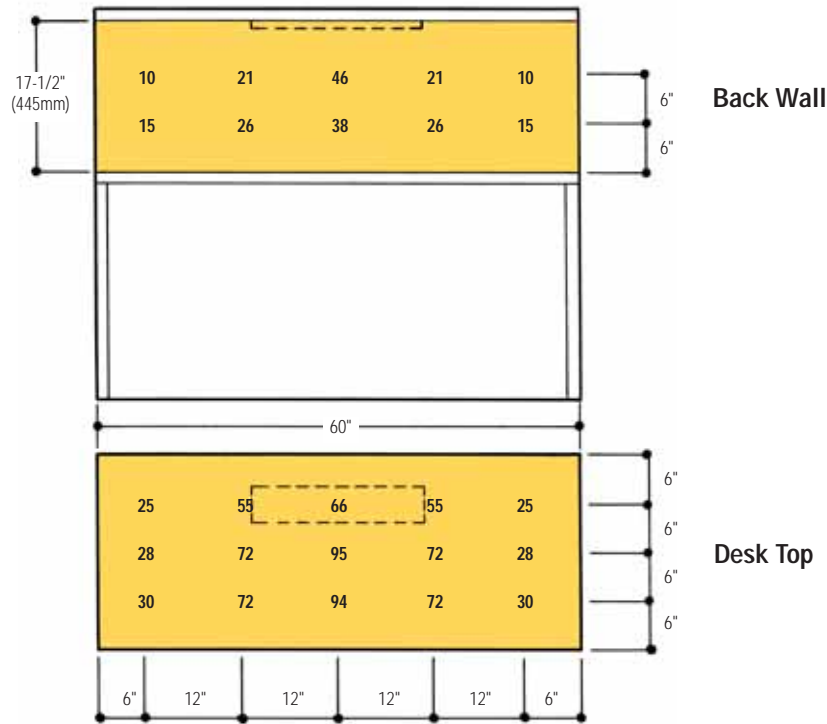
Job Information	Type:
Job Name:	
Cat. No.:	
Lamp(s):	
Volts/Ballast:	

Lightolier a Genlyte Thomas Company www.lightolier.com
 Technical Information: (978) 657-7600 • Fax (978) 658-0595
 631 Airport Road, Fall River, MA 02720 • (508) 679-8131 • Fax (508) 674-4710
 We reserve the right to change details of design, materials and finish.
 Copyright 2004 Lightolier **Section 5/Folio H150-15**

LIGHTOLIER®



Pristine Footcandle Readings



Ordering Information

Explanation of Catalog Number. Example: PC2P13T2120PTCPB

PC	2	P	13	T2	120	PT	CPB	<input type="checkbox"/>
Pristine Series: Task Lighting	Length: 2=22"	Finish: Pewter	Lamp: 13 Watt	Lamp Type: T2=835K installed with fixture	Voltage: 120	Ballast: PT = Elec. Program Start <10 THD for Linear T2 Lamp	9' Black cord & plug	Options: Add appropriate suffix to catalog no. ie: (CH)

Options/Accessories

Chicago Plug: Suffix: CH.

Dimming: Consult factory.

Specifications

Materials: Chassis parts are die-formed cold rolled steel.

Lens: Ribbed acrylic.

Reflector: Aluminum.

End Caps: Polycarbon.

Lamp: T2, 13 watt CRI=80, color temperature 3500K.

Finish: Cavity—pewter baked enamel, 85% reflectance. Phosphate undercoating.

Chassis exterior—pewter baked enamel.

Electrical: Thermally protected class "P" ballast C.B.M. approved, sound rated A, <10 THD, non PCB.

Labels: UL and ULc Listed.

Job Information	Type: <input style="width: 150px;" type="text"/>
-----------------	--

Lightolier a Genlyte Thomas Company www.lightolier.com
 Technical Information: (978) 657-7600 • Fax (978) 658-0595
 631 Airport Road, Fall River, MA 02720 • (508) 679-8131 • Fax (508) 674-4710
 We reserve the right to change details of design, materials and finish.
 Copyright 2004 Lightolier Section5/Folio H150-15

LIGHTOLIER®