

PRISMALYTE *plus* PRA2GRFVA32U or 17

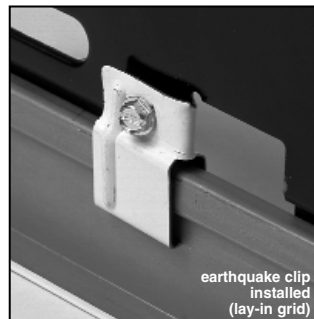
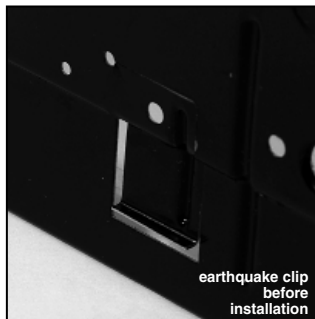
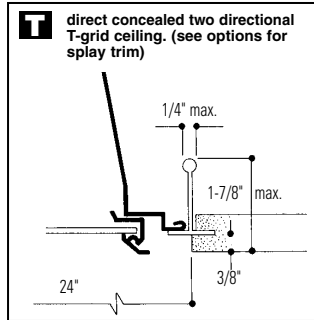
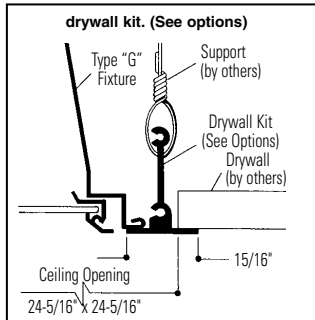
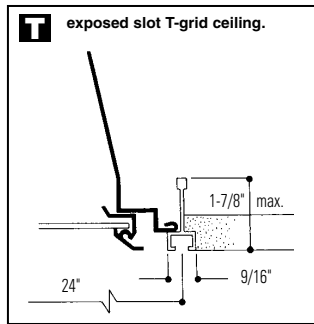
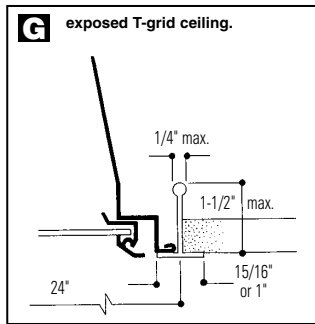
2'x2' RECESSED FLUORESCENT, FLOATING LENS FRAME WITH BLACK REVEAL
 STATIC OR AIR SUPPLY/RETURN, 2 OR 3 LAMP, T8, 1-5/8"U LAMP OR 2' LAMP

Features

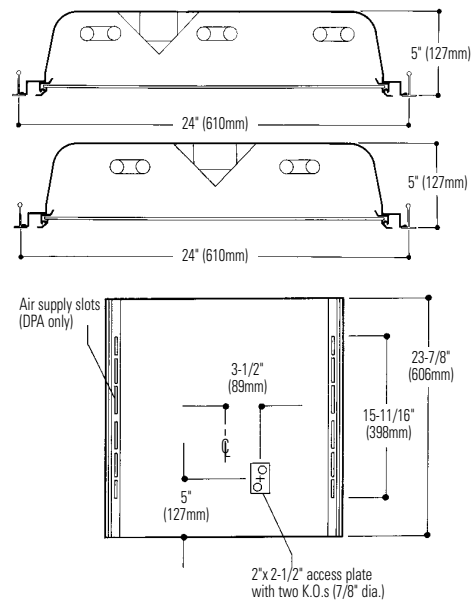
- 5" deep body.
- 2-9/16" lamp to lens for better lamp obscuration.
- 67.0% efficient (3 – 1-5/8"U lamp).
- Black housing exterior for cooler ballast operating temperature.
- Clean contoured interior.
- Eyeleted heat removal vents in fixture ends.
- Hemmed over side rails for maximum safety.
- Fixture ends turned-in for safe handling.
- Built-in earthquake clips.
- Door jamb finished black on four sides for positive light stop.
- True mitered corner aluminum lens frame.
- Spring loaded rooster head latches.
- 18 gauge steel hinges.
- Construction to meet Chicago Plenum requirements is available.



MOUNTING METHOD



DIMENSIONS



Job Information

Type:

Job Name:

Cat. No.:

Lamp(s):

Volts/Ballast:

Lightolier a Genlyte Thomas Company

www.lightolier.com

Technical Information: (978) 657-7600 • Fax (978) 658-0595

631 Airport Road, Fall River, MA 02720 • (508) 679-8131 • Fax (508) 674-4710

We reserve the right to change details of design, materials and finish.

© 2002 Genlyte Thomas Group LLC (Lightolier Division)

A0902

Section 1A/Folio E20-36

LIGHTOLIER



PRISMALYTE plus PRA2GRFVA32U or 17

2'x2' RECESSED FLUORESCENT, FLOATING LENS FRAME WITH BLACK REVEAL STATIC OR AIR SUPPLY/RETURN, 2 OR 3 LAMP, T8, 1-5/8"U LAMP OR 2' LAMP

PHOTOMETRY

GI TESTING LABORATORY
45 Industrial Way
Wilmington, MA 01827
(978) 657-7600

REPORT NO.: G00058 DATE: 03-28-2000
CATALOG NO.: PRA2GRFVA1200Q
LAMP(S): 3 FRO31/A1K, EACH RATED 2725 LUMENS.
LUMINAIRE: NEW 2X2 TROFFER WITH FRA DOOR FRAME
1 COVER, AND 3 U LAMPS
ADVANCE REL-3P32-SC
0.64 AMPS 76.0 WATTS

CANDELA DISTRIBUTION

CANDELA DISTRIBUTION		FLUX	
0.0	22.5	45.0	67.5
0	2399	2399	2399
5	2385	2385	2388
15	2273	2281	2296
25	2059	2076	2113
35	1730	1758	1808
45	1264	1292	1345
55	761	781	815
65	410	393	386
75	219	208	206
85	69	69	71
90	0	0	0

ZONAL LUMEN SUBSUMARY

ZONE	LUMENS	%LAMP	%PIXT
0-30	1851	22.6	33.8
0-40	2979	36.4	54.4
0-60	4750	58.1	86.7
0-90	5476	67.0	100.0
90-180	0	0	0
0-180	5476	67.0	100.0

TOTAL LUMINAIRE EFFICIENCY = 67.0 %
TOTAL REFLECTANCE OF PAINT = 90.0 %
CIE TYPE - DIRECT
FLARE : 0-DEG 90-DEG
SPACING CRITERIA : 1.2 1.3
SHIELDING ANGLES : 90 90
FLARE : 0-DEG 90-DEG
LUMINOUS LENGTH : 21.000 21.000

LUMINANCE DATA IN CANDELA/SQ M

ANGLE AVERAGE AVERAGE AVERAGE	
IN DEG	0-DEG 45-DEG 90-DEG
45	6281. 6683. 7100.
55	4662. 4992. 5495.
65	3409. 3209. 3675.
75	2973. 2796. 3570.
85	2782. 2862. 3306.

THIS REPORT IS BASED ON PUBLISHED INDUSTRY PROCEDURES • FIELD PERFORMANCE MAY DIFFER FROM LABORATORY PERFORMANCE

MODEL NO. PRA2GRFVA32U

Luminaire Efficacy Rating
LER-63.4 Watts-76.0 BF-0.88

coefficients of utilization — zonal cavity method (effective floor cavity reflectance 0.20)

RF	20			20			20			
RC	80			50			30			
RW	70	50	30	50	30	10	50	30	10	
room cavity ratio	1	74	71	68	67	65	63	64	62	61
	2	68	63	59	59	56	53	57	54	52
	3	62	56	51	53	49	46	51	48	45
	4	58	50	45	48	43	40	46	42	39
	5	53	45	40	43	38	35	42	38	35
	6	49	41	35	39	35	31	38	34	31
	7	46	37	32	36	31	28	35	31	28
	8	43	34	29	33	28	25	32	28	25
	9	40	32	26	30	26	23	30	26	23
	10	38	29	24	28	24	21	28	23	21

visual comfort probability (rated lumens per lamp 3150.)

room size		ceiling height				ceiling height			
W	L	8.5	10.0	13.0	16.0	8.5	10.0	13.0	16.0
20	20	50	54	60	67	48	52	56	64
20	30	43	47	51	57	40	44	48	54
20	40	40	43	47	50	37	39	43	47
20	60	37	40	42	46	34	36	38	42
30	20	52	56	60	65	50	54	57	63
30	30	44	48	51	55	42	45	49	53
30	40	40	43	46	49	37	40	43	46
30	60	37	39	41	44	34	36	37	41
30	80	37	38	38	41	33	35	35	38
40	20	53	57	61	65	52	56	60	64
40	30	45	49	52	55	44	47	50	54
40	40	41	44	46	49	39	41	44	47
40	60	38	40	41	44	35	37	38	41
40	80	37	38	38	40	34	35	35	37
40	100	38	38	37	39	34	35	34	35
60	30	47	50	53	56	45	49	51	55
60	40	42	44	47	49	40	43	45	48
60	60	39	40	41	44	36	38	38	42
60	80	38	38	38	40	35	36	35	38
60	100	38	38	36	38	35	35	33	35
100	40	45	47	49	52	44	46	48	51
100	60	42	43	43	46	40	41	41	44
100	80	41	41	39	42	38	38	37	39
100	100	41	40	38	39	38	37	35	36

ORDERING INFORMATION

Explanation of Catalog Number. Example: PRA2GRFVA32U12003RF

PR	2		RF	VA				
PRISMALYTE plus: Floating Lens Frame Recessed Fluorescent Troffer	FIXTURE WIDTH	CEILING TYPE: G= Grid (lay-in T bar) T=Slot grid or two-directional concealed T see options)	LENS FRAME: RF=1/2" regressed floating aluminum frame with 7/16" black reveal four sides.	LENS/SHIELDING TYPE: VA=Virgin acrylic (standard), see options and consult factory	LAMP QUANTITY: 2 or 3 Lamp	LAMP TYPE/ FIXTURE LENGTH: 2U=T8, 1-5/8"U Lamp 17=T8, 2' Lamp (Nominal 24")	VOLTAGE: 120 or 277	BALLAST TYPE: <20THD <10THD S0* HI* O3* H3* PS -
	BODY STYLE: A=Air Handling S=Static							OPTIONS: Add appropriate suffix to catalog no., ie: (RF)

*Instant Start Standard
Other dimming options. Consult factory.

OPTIONS & ACCESSORIES

SPECIAL LENSES: Substitute VB for VA (standard) = .125" nominal pattern 12 with 7.8 oz. average weight per square foot. Substitute VI for VA (standard) = .125" nominal pattern 12 with 6.8 oz. average weight per square foot.

SPLAY TRIM: For T ceiling type only. SUFFIX: CTZ22 S2 SPLAY TRIM.

RADIO INTERFERENCE FILTER: 120 or 277 volt, 50 or 60 Hz. One per fixture standard. SUFFIX: RF.

AIR CLOSURE STRIP: SUFFIX ACS2 (factory installed).

ELECTRICAL WIRING OPTIONS: Consult factory.

DRYWALL KIT: Order Catalog Number: FK92X2.

Request Folio OA30-10.

CHICAGO PLENUM: SUFFIX: CP.

SPECIFICATIONS

PERFORMANCE: In an installation of 3 lamp 31W luminaires in a room cavity ratio of 1, reflectance 80% ceiling, 50% wall, 20% floor, the C.U. shall not be less than .80. To prevent glare the VCP shall be not less than 30 either lengthwise or crosswise (at 100fc level) and the average brightness at 65° shall not exceed 3675 candelas per square meter. To control veiling reflections, luminaire output in the 30°-90° zone shall not be less than 65.8%.

AIR HANDLING: (PRA only) side air passages for air supply or air return. Supply

air is discharged vertically. Optional side closure strips. Air return is also provided through the lamp compartment through fixture body ends.

MATERIALS: Chassis parts are die-formed code gauge cold rolled steel. Housing with side rails hemmed over and housing ends turned-in for safe handling.

FINISH: Chassis exterior—black baked polyester enamel. Cavity—white baked polyester enamel minimum 86% reflectance. Phosphate undercoating.

LENSES: VA (standard) extruded virgin acrylic, 3/16" square based female cones, running 45° to the panel edge, .095" nominal thickness (similar to pattern 12). VB (optional) .125" nominal pattern 12 with 7.8 oz. average weight per square foot. VI (optional) .125" nominal pattern 12 with 6.8 oz. average weight per square foot.

ELECTRICAL: Thermally protected class "P" ballast C.B.M. approved, non PCB. If K.O. is within 3" of ballast, use wire suitable for at least 90°.

LABELS: I.B.E.W./UL and ULc Listed.

Job Information Type:

Lightolier a Genlyte Thomas Company www.lightolier.com

Technical Information: (978) 657-7600 • Fax (978) 658-0595

631 Airport Road, Fall River, MA 02720 • (508) 679-8131 • Fax (508) 674-4710

We reserve the right to change details of design, materials and finish.

© 2002 Genlyte Thomas Group LLC (Lightolier Division)

A0902

Section 1A/Folio E20-36

LIGHTOLIER