

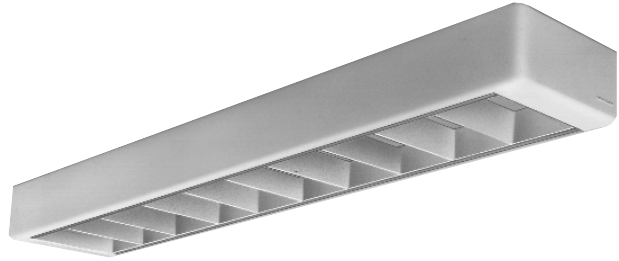
Paralyte S/P PLM/PLJ UPLIGHT/DOWNLIGHT

Page 1 of 2

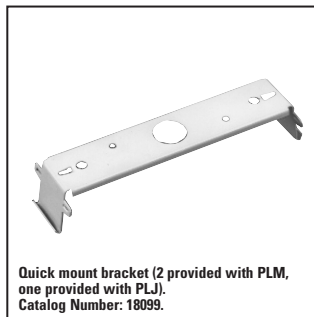
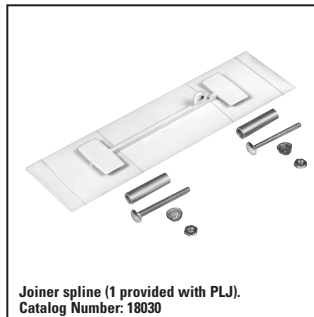
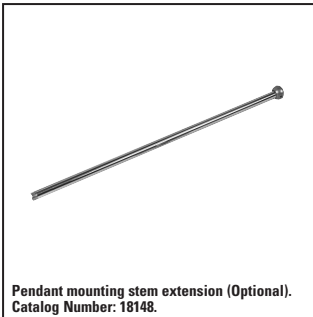
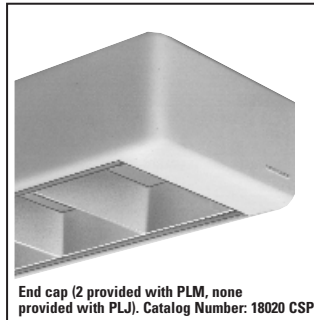
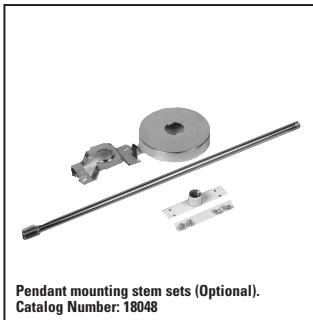
Uplight/Downlight, Pendant, 4-5/8" Deep, 10" Wide,
48" or 96" Nominal Lengths, 2 Lamp, T8 or T12

Features

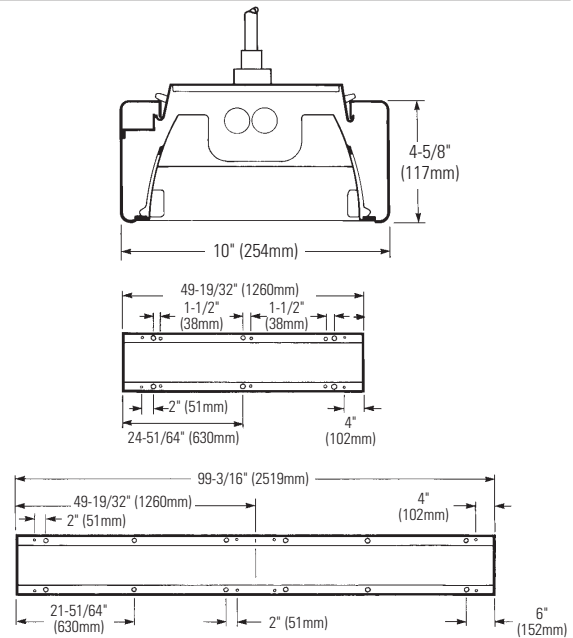
- Uplight/downlight pendant.
- Softly rounded corners and edges create a subtle architectural appearance.
- No visible fasteners.
- Self-aligning ends for hairline joints in continuous row mounting.
- Efficiency 85% (48" length).
- Spacing ratio 2.0.
- Transverse mounted ballast (eliminates unbalanced side-to-side linear weight distribution).
- 20 gauge body.
- Die-cast aluminum end caps.
- Pre-anodized low iridescence semi-specular aluminum parabolic louver with protective film dust bag (standard).
- Spring-loaded latches.
- Bead safety chain allows louver to be suspended safely for relamping.



Mounting Methods/Features



Dimensions



Job Information

Type:

Job Name:

Cat. No.:

Lamp(s):

Volts/Ballast:

Lightolier a Genlyte Thomas Company

www.lightolier.com

Technical Information: (978) 657-7600 • Fax (978) 658-0595

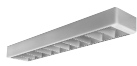
631 Airport Road, Fall River, MA 02720 • (508) 679-8131 • Fax (508) 674-4710

We reserve the right to change details of design, materials and finish.

© 2003 Genlyte Thomas Group LLC (Lightolier Division)

A0902

Section 5/Folio K30-14 Rev. A



Paralyte S/P PLM/PLJ UPLIGHT/DOWNLIGHT

Uplight/Downlight, Pendant, 4-5/8" Deep, 10" Wide, 48" or 96" Nominal Lengths, 2 Lamp, T8 or T12

Photometry

Model No. PL4MP10LX232120SO

LER = FP - 72.6 IW - 58 BF - 0.87

Comparative yearly lighting energy cost per 1000 lumens = \$3.31

TESTING LABORATORY
45 Industrial Way
Wilmington, MA 01887
(978) 657-7600

REPORT NUMBER: ERL7216T8.IES 2/9/03
CATALOG NUMBER: PL4MP10LX232120SO
LUMINAIRE: 10 CELL SEMI-SPECULAR LOUVER
LAMPS: TWO F32 T8, EACH RATED 2850 LUMENS
MOUNTING: SURFACE PENDANT
TOTAL INPUT WATTS: 58 AT 120 VOLTS
THE 0 DEGREE PLANE IS PARALLEL WITH THE LAMPS

CANDELA DISTRIBUTION

	0.0	22.5	45.0	67.5	90.0
0	675	675	675	675	675
5	670	672	672	674	675
15	634	641	659	678	686
25	584	602	679	864	960
35	511	554	900	1162	1223
45	408	543	944	1007	1017
55	281	550	656	634	545
65	102	214	130	41	23
75	6	8	8	11	8
85	0	0	0	0	0
90	0	0	0	0	0

ZONAL LUMEN SUMMARY

ZONE	LUMENS	% LAMP	% FIXT
0-30	588	10	12
0-40	1135	20	23
0-60	2261	40	47
0-90	2381	42	49
90-180	2450	43	51
0-180	4831	85	100

TOTAL LUMEN EFFICIENCY: 85%
CIE TYPE: DIRECT
PLANE: = 0-DEG 90-DEG
SPACING CRITERIA = 1.2 2.0
SHIELDING ANGLE = 180 180
PLANE = 0-DEG 90-DEG
LUMINANCE LENGTH = (?) (?)

LUMINANCE DATA IN CANDELAS/SQUARE METER

ANGLE	AVERAGE	AVERAGE	AVERAGE
IN DEG	0-DEG	45-DEG	90-DEG
45	2281	3886	3918
55	1865	2916	2229
65	864	651	102
75	77	48	42
85	0	0	0

THIS REPORT IS BASED ON PUBLISHED INDUSTRY PROCEDURES • FIELD PERFORMANCE MAY VARY FROM LABORATORY PERFORMANCE.

coefficients of utilization — zonal cavity method

RF	20			20			20			
RC	80			50			30			
RW	70	50	30	50	30	10	50	30	10	
room cavity ratio	1	84	80	77	63	61	59	52	51	50
	2	77	71	66	56	53	50	47	44	43
	3	70	62	56	49	45	42	41	39	36
	4	64	55	49	44	39	36	37	34	31
	5	59	49	42	39	34	31	33	29	27
	6	54	44	37	35	30	27	30	26	23
	7	50	39	33	31	27	23	27	23	20
	8	46	35	29	28	24	20	24	20	18
	9	43	32	26	26	21	18	22	18	16
	10	40	29	23	24	19	16	20	17	14

Ordering Information

Explanation of Catalog Number. Example: PL4MP10LX232120SOGLR

PL Paralyte S/P: Surface/ Pendant with 2" Deep Parabolic Precision Contoured Pre-Anodized Aluminum Louver	Fixture Length: 4 = Nominal 48" 8 = Nominal 96"	Body Style: M = Individual Module J = Joiner	P Fixture Mounting: P=Pendant	10 Number of Cells: 10 (48")	X Top Reflector: X=None	2 Lamp Quantity	Louver Finish: L = Low Iridescence Semi-specular (standard) P = Low Iridescence Specular	Lamp/Fixture Length: 32=T8 (Nominal 48") (Nominal 96") 34=T12 (Nominal 48") (Nominal 96") 2-48" Lamps in tandem	Ballast Type: 1-2 Lamp Mag. T12 LE 2-2 Lamp Mag. T12 LE (96" Unit Only) 1-2 Lamp Elec. T8 S0* H1* 2-2 Lamp Elec. T8 S0* H1* (96" Unit Only) 1-4 Lamp Elec. T8 O4* H4* (96" Unit Only) LOL Dimming T8 PS *Instant Start Standard	Options: Add appropriate suffix to catalog no, ie: (GLR)
---	--	---	--	---	--------------------------------------	---------------------------	---	---	---	--

Other dimming options, consult factory.

Options/accessories

Stem Sets: 1/2" diameter tubing, 18" long, chrome plated finish. Catalog Number: **18048**.

Stem Extension Kit: 18" extension. Catalog Number: **18148**.

Electrical Wiring Options: Consult factory.

Fusing: Internal fast-blow fusing. Suffix: **GLR**.

Internal slow-blow fusing. Suffix: **GMF**.

Specifications

Performance: In an installation of 2 lamp 32W luminaires with a room cavity ratio of 1, with reflectance 80% ceiling, 50% wall, 20% floor, the C.U. shall be not less than .80. The average brightness at 65° shall not exceed 864 candelas per square meter. To control veiling reflections, luminaire output in the 30°- 90° zone shall be not less than 88%.

Materials: Chassis parts are die-formed 20 gauge code cold rolled steel, End caps are die-cast aluminum with soft rounded corners.

Louwer: Pre-anodized aluminum (Coilzak® or equal).

Finish: Louwer—low iridescence semi-specular anodized aluminum (standard).

Specifications (continued)

Chassis exterior—semi-gloss off-white baked enamel, **Cavity**—white baked enamel. Phosphate undercoating.

Electrical: Thermally protected class "P" ballast C.B.M. approved, non PCB. If K.O. is within 3" of ballast, use wire suitable for at least 90°.

Labels: I.B.E.W./UL and C-UL Listed.

Job Information

Type:

Lightolier a Genlyte Thomas Company www.lightolier.com
 Technical Information: (978) 657-7600 • Fax (978) 658-0595
 631 Airport Road, Fall River, MA 02720 • (508) 679-8131 • Fax (508) 674-4710
 We reserve the right to change details of design, materials and finish.
 © 2003 Genlyte Thomas Group LLC (Lightolier Division)
 A0902 **Section 5/Folio K30-14 Rev. A**

LIGHTOLIER®