

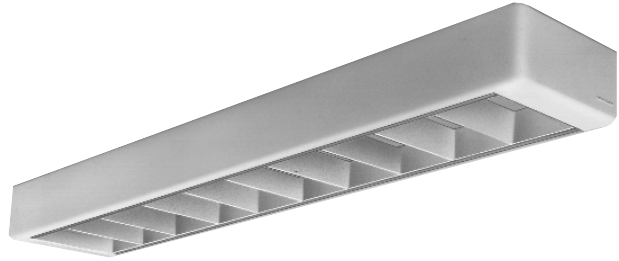
# Paralyte S/P **PLM/PLJ DOWNLIGHT**

Page 1 of 2

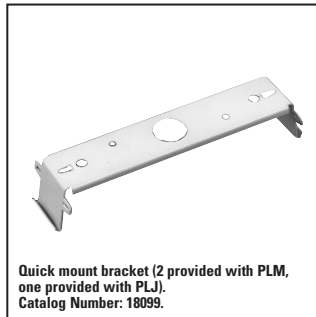
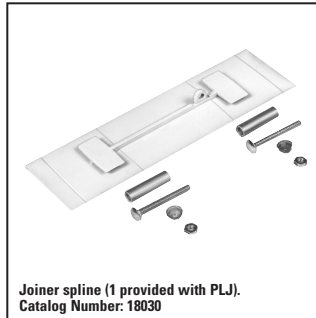
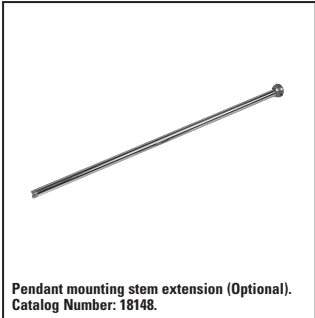
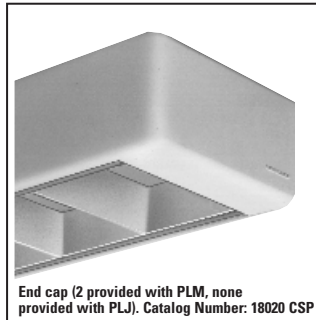
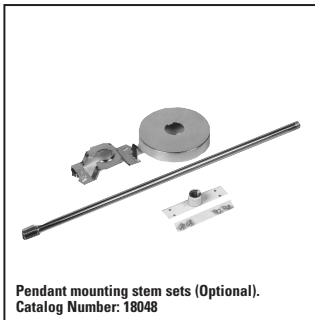
Downlight, Surface/Pendant, 4-5/8" Deep, 10" Wide, 48" or 96" Nominal Lengths, 2 Lamp, T8 or T12

## Features

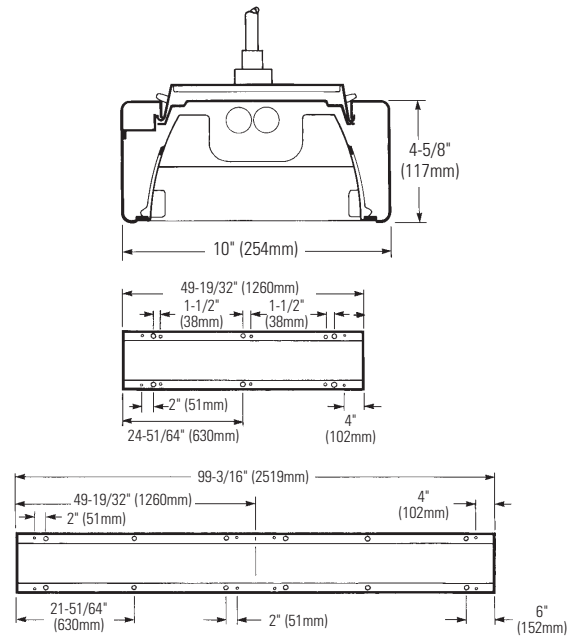
- Downlight surface or pendant.
- Softly rounded corners and edges create a subtle architectural appearance.
- No visible fasteners.
- Self-aligning ends for hairline joints in continuous row mounting.
- Efficiency 69% (48" length).
- Spacing ratio 1.72.
- Transverse mounted ballast (eliminates unbalanced side-to-side linear weight distribution).
- 20 gauge body.
- Die-cast aluminum end caps.
- Pre-anodized low iridescence semi-specular aluminum parabolic louver with protective film dust bag (standard).
- Spring-loaded latches.
- Bead safety chain allows louver to be suspended safely for relamping.



## Mounting Methods/Features



## Dimensions



## Job Information

## Type:

**Job Name:**

**Cat. No.:**

**Lamp(s):**

**Volts/Ballast:**

Lightolier a Genlyte Thomas Company

www.lightolier.com

Technical Information: (978) 657-7600 • Fax (978) 658-0595

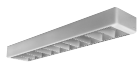
631 Airport Road, Fall River, MA 02720 • (508) 679-8131 • Fax (508) 674-4710

We reserve the right to change details of design, materials and finish.

© 2003 Genlyte Thomas Group LLC (Lightolier Division)

A0902

Section 5/Folio K30-12 Rev. A



# Paralyte S/P PLM/PLJ DOWNLIGHT

Downlight, Surface/Pendant, 4-5/8" Deep, 10" Wide, 48" or 96" Nominal Lengths, 2 Lamp, T8 or T12

## Photometry

Model No. PL4MP10LS232120SO

LER = FP - 59.0 IW - 58 BF - 0.87  
Comparative yearly lighting energy cost per 1000 lumens = \$4.07

**TESTING LABORATORY**  
45 Industrial Way  
Wilmington, MA 01887  
(978) 657-7600

REPORT NUMBER: ERL7215T8.IES 2/9/03  
CATALOG NUMBER: PL4MP10LS232120SO  
LUMINAIRE: 10 CELL SEMI-SPECULAR LOUVER  
LAMPS: TWO F32 T8, EACH RATED 2850 LUMENS  
MOUNTING: SURFACE PENDANT  
TOTAL INPUT WATTS: 58 AT 120 VOLTS  
THE 0 DEGREE PLANE IS PARALLEL WITH THE LAMPS

**CANDELA DISTRIBUTION**

	0.0	22.5	45.0	67.5	90.0
0	1322	1322	1322	1322	1322
5	1320	1323	1329	1338	1340
15	1257	1283	1356	1449	1490
25	1167	1242	1506	1624	1672
35	1043	1221	1486	1625	1675
45	830	1134	1335	1331	1338
55	605	843	872	826	705
65	209	299	176	47	25
75	7	8	7	11	6
85	0	2	2	2	2
90	0	0	0	0	0

**ZONAL LUMEN SUMMARY**

ZONE	LUMENS	% LAMP	% FIXT
0-30	1201	21	31
0-40	2090	37	53
0-60	3709	65	95
0-90	3915	69	100
90-180	0	0	0
0-180	3915	69	100

TOTAL LUMEN EFFICIENCY: 69%  
CIE TYPE: DIRECT  
PLANE: = 0-DEG 90-DEG  
SPACING CRITERIA = 1.25 1.72  
SHIELDING ANGLE = 90 90  
PLANE = 90-DEG 90-DEG  
LUMINANCE LENGTH = (?) (?)

LUMINANCE DATA IN CANDELAS/SQUARE METER  
ANGLE/AVERAGE AVERAGE/AVERAGE  
IN DEG 0-DEG 45-DEG 90-DEG  
45 5237 8227 8243  
55 4593 6622 5356  
65 2156 1820 261  
75 122 122 107  
85 0 91 91

THIS REPORT IS BASED ON PUBLISHED INDUSTRY PROCEDURES • FIELD PERFORMANCE MAY VARY FROM LABORATORY PERFORMANCE.

### coefficients of utilization — zonal cavity method

RF	20			20			20			
RC	80			50			30			
RW	70	50	30	50	30	10	50	30	10	
room cavity ratio	1	76	74	71	69	68	66	67	65	64
	2	70	66	62	62	59	57	60	58	55
	3	65	59	54	56	52	49	54	51	48
	4	60	52	47	50	46	42	48	45	42
	5	55	47	41	45	40	37	44	39	36
	6	51	42	37	41	36	32	39	35	32
	7	47	38	33	37	32	28	36	31	28
	8	44	35	29	34	29	25	33	28	25
	9	41	32	27	31	26	23	30	26	23
	10	38	29	24	28	24	20	28	23	20

## Ordering Information

Explanation of Catalog Number. Example: PL4MP10LS232120SOGLR

<b>PL</b> Paralyte S/P- Surface/Pendant with 2" Deep Parabolic Precision Contoured Pre-anodized Aluminum Louver	<b>Fixture Length:</b> 4 = Nominal 48" 8 = Nominal 96"	<b>Body Style:</b> M = Individual Module J = Joiner	<b>Fixture Mounting:</b> P = Pendant S = Surface	<b>10</b> Number of Cells: 10 (48" Length)	<b>Louver Finish:</b> L = Low Iridescence Semi-specular (standard) P = Low Iridescence Specular	<b>S</b> Top Reflector: S = White Baked Enamel	<b>2</b> Lamp Quantity	<b>Voltage:</b> 120 or 277	<b>Ballast Type:</b> 1-2 Lamp Mag. T12 LE 2-2 Lamp Mag. T12 LE (96" Unit Only) 1-2 Lamp Elec. T8 SO* 2-2 Lamp Elec. T8 SO* (96" Unit Only) 1-4 Lamp Elec. T8 (96" Unit Only) LOL Dimming T8 PS *Instant Start Standard	<b>Options:</b> Add appropriate suffix to catalog no, ie: (GLR) <20THD <10THD HI* HI* H4* -
--	--	---	--	--	---	--	---------------------------	-------------------------------	---	---

Other dimming options, consult factory.

## Options/accessories

**Stem Sets:** 1/2" diameter tubing, 18" long, chrome plated finish. Catalog Number: **18048**.

**Stem Extension Kit:** 18" extension. Catalog Number: **18148**.

**Electrical Wiring Options:** Consult factory.

**Fusing:** Internal fast-blow fusing. Suffix: **GLR**.

Internal slow-blow fusing. Suffix: **GMF**.

## Specifications

**Performance:** In an installation of 2 lamp 32W luminaires with a room cavity ratio of 1, with reflectance 80% ceiling, 50% wall, 20% floor, the C.U. shall be not less than .74. The average brightness at 65° shall not exceed 2156 candelas per square meter. To control veiling reflections, luminaire output in the 30°- 90° zone shall be not less than 69%.

**Materials: Chassis parts** are die-formed 20 gauge code cold rolled steel, End caps are die-cast aluminum with soft rounded corners.

**Louwer:** Pre-anodized aluminum (Coilzak® or equal).

**Finish: Louwer**—low iridescence semi-specular anodized aluminum (standard).

## Specifications (continued)

**Chassis exterior**—semi-gloss off-white baked enamel, **Cavity**—white baked enamel. Phosphate undercoating.

**Electrical:** Thermally protected class "P" ballast C.B.M. approved, non PCB. If K.O. is within 3" of ballast, use wire suitable for at least 90°.

**Labels:** I.B.E.W./UL and C-UL Listed.

## Job Information Type:

**Lightlier** a Genlyte Thomas Company www.lightlier.com  
Technical Information: (978) 657-7600 • Fax (978) 658-0595  
631 Airport Road, Fall River, MA 02720 • (508) 679-8131 • Fax (508) 674-4710  
We reserve the right to change details of design, materials and finish.  
© 2003 Genlyte Thomas Group LLC (Lightlier Division)  
A0902 **Section 5/Folio K30-12 Rev. A**

**LIGHTLIER**