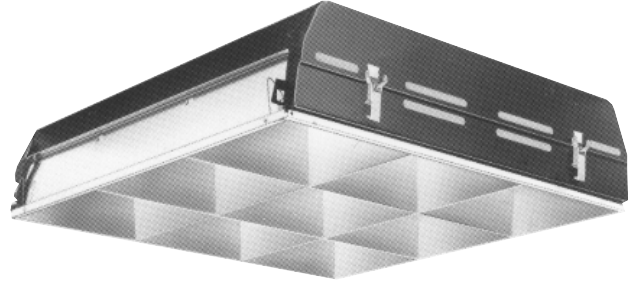


Paralyte 2424 PLA2G9LS26U

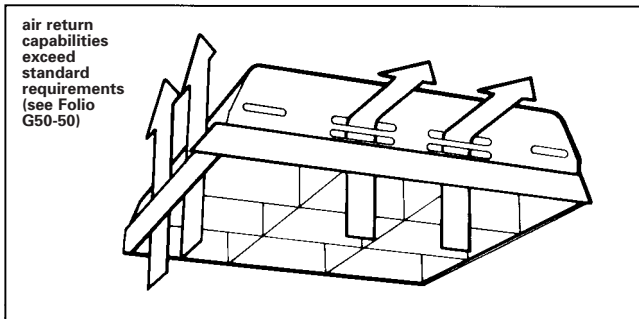
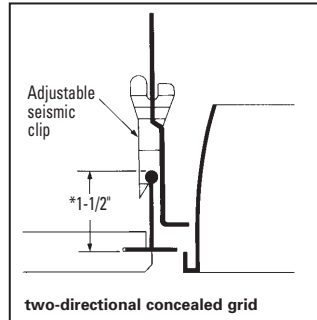
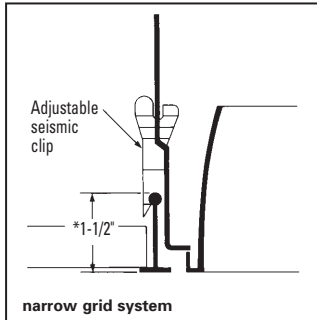
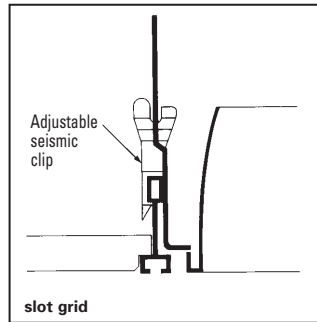
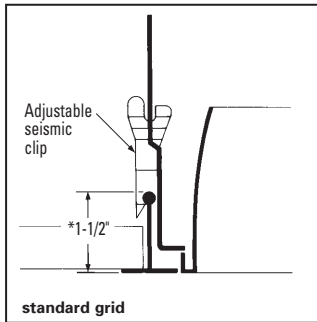
Features

- 23" x 23" louver.
- Efficiency 68.7%.
- One fixture fits 50 different G type and T type ceiling systems.
- Only 5 1/2" deep housing.
- Automatic engaging adjustable seismic clips.
- Pre-anodized aluminum vertical grain parabolic louver.
- 3 1/8" deep louver.
- Low iridescence semi-specular aluminum, standard.
- Spring-loaded latches.
- Protective film dust guard.
- UL-Listed twin knockout access plate.
- Not for continuous row mounting.

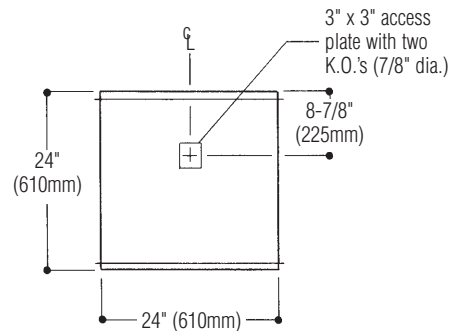
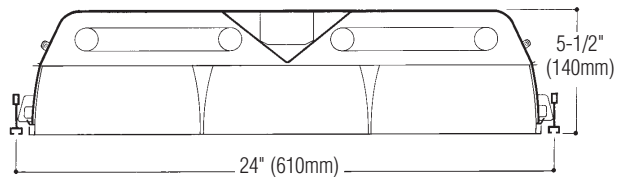


Mounting Methods

*If less than 1 1/2", STC spacer is required, 2 each end.



Dimensions



NOTE: Fixtures may be used for static or air return applications.

Job Information

Type:

Job Name:

Cat. No.:

Lamp(s):

Volts/Ballast:

Lightolier a Genlyte Thomas Company www.lightolier.com
 Technical Information: (978) 657-7600 • Fax (978) 658-0595
 631 Airport Road, Fall River, MA 02720 • (508) 679-8131 • Fax (508) 674-4710
 We reserve the right to change details of design, materials and finish.
 © 2003 Genlyte Thomas Group LLC (Lightolier Division)
 A0902 **Section 2/Folio G50-52 Rev. A**



Paralyte 2424 PLA2G9LS26U

2' x 2' Recessed Fluorescent, 3-1/8" Deep 9 Cell Parabolic Louver, Static and Air Return, 2 Lamp, T8 or T12

Photometry

Model No. PLA2G9LS26U120S0

INDEPENDENT TESTING LABORATORIES, INC. • 3388 LONGHORN ROAD, BOULDER, COLORADO 80302 • PHONE (303) 442-1255 FAX (303) 449-5274

REPORT NUMBER: IFL40489 DATE: 5-12-1993

PREPARED FOR: LIGHTOLIER

CATALOG NUMBER: PLA2G9LS26U120S0

LUMINAIRE: FABRICATED METAL HOUSING, WHITE PAINTED INTERIOR, 9-CELL SEMI-SPECULAR PARABOLIC ALUMINUM LOUVER.

LAMPS: TWO F31T8/TL741/6 FLUORESCENTS, EACH RATED 2650 LUMENS.

BALLAST: ADVANCE REL-2P32-RH-TP

MOUNTING: RECESSED

TOTAL INPUT WATTS= 58.0 AT 120.0 VOLTS

THE 0 DEGREE PLANE IS OPPOSITE THE SOCKETS.

CANDELA DISTRIBUTION	FLUX
0.0	45.0
0.0	1481
5	1463
15	1382
25	1247
35	1092
45	904
55	689
65	367
75	29
85	4
90	0

ZONAL LUMEN SUMMARY	ZONE	LUMENS	%LAMP	%EXIT
0-30	1133	21.4	31.1	
0-40	1893	35.0	50.9	
0-60	3272	61.7	89.9	
0-90	3642	68.7	100.0	
90-180	0	0.0	0.0	
0-180	3642	68.7	100.0	

TOTAL LUMINAIRE EFFICIENCY = 68.7 %

TOTAL REFLECTANCE OF PAINT = 90.6 %

CIE TYPE - DIRECT

PLANE : 0-DEG 90-DEG 180-DEG

SPACING CRITERIA : 1.2 1.3 1.2

SHIELDING ANGLES : 23 23

PLANE : 0-DEG 90-DEG

LUMINOUS LENGTH : 22.500 22.500

LUMINANCE DATA IN CANDELA/SQ M

ANGLE	AVERAGE	AVERAGE
IN DEG	0-DEG	90-DEG 180-DEG
45	3399	4614
55	3677	4930
65	2658	2817
75	343	296
85	140	211

Checked: [Signature]

Approved: [Signature]

THIS REPORT IS BASED ON PUBLISHED INDUSTRY PROCEDURES • FIELD PERFORMANCE MAY VARY FROM LABORATORY PERFORMANCE.

LER = FP - 58.9 IW - 58.0 BF - 0.87

Comparative yearly lighting energy cost per 1000 lumens = \$4.07

coefficients of utilization — zonal cavity method (effective floor cavity reflectance 0.20)

RF	20			20			20			
RC	80			50			30			
RW	70	50	30	50	30	10	50	30	10	
room cavity ratio	1	76	73	71	69	67	65	66	65	63
	2	70	65	61	61	58	56	59	57	54
	3	64	58	53	55	51	47	53	49	47
	4	59	51	46	49	44	41	47	43	40
	5	54	46	40	44	39	35	43	38	35
	6	50	42	36	40	35	31	39	34	31
	7	47	38	32	36	31	28	35	31	27
	8	43	34	29	33	28	25	32	28	25
	9	40	32	26	30	26	22	30	25	22
	10	38	29	24	28	23	20	27	23	20

visual comfort probability (rated lumens per lamp 3150)

W	L	ceiling height				ceiling height			
		8.5	10.0	13.0	16.0	8.5	10.0	13.0	16.0
20	20	71	66	69	79	68	63	63	76
20	30	74	70	66	68	71	67	62	61
20	40	77	73	70	68	74	70	66	63
20	60	79	75	73	71	76	72	69	66
30	20	76	70	67	76	74	68	63	74
30	30	79	73	66	65	76	71	63	60
30	40	81	75	69	66	78	73	67	62
30	60	82	77	72	68	80	75	70	65
30	80	84	79	74	71	81	77	72	68
40	20	79	73	71	75	76	71	67	73
40	30	81	76	69	64	79	74	67	61
40	40	83	78	72	65	81	76	70	63
40	60	84	80	74	68	82	78	72	66
40	80	85	81	76	70	83	79	74	68
40	100	86	82	78	73	84	80	76	70
60	30	82	78	72	67	80	76	70	63
60	40	84	80	74	67	82	78	73	65
60	60	85	81	76	70	83	80	75	68
60	80	86	83	78	72	84	81	77	70
60	100	87	84	80	74	85	82	78	72
100	40	84	80	76	71	82	78	75	69
100	60	86	82	78	73	84	80	77	71
100	80	87	84	80	75	85	82	79	74
100	100	88	85	81	77	86	83	80	75

Ordering Information

Explanation of Catalog Number. Example: PLA2G9LS26U120S0GLR

PL	A	2	G	9		S	2	6U			
Paralyte 2424: 3-1/8" Deep Parabolic Precision Contoured Pre-anodized Aluminum Louver	Body Style: A=Air Handling / Static	Fixture Width	Ceiling Type: G=Grid (lay-in T-bar)	Number of Cells	Louver Finish: L = Low Iridescence Semi-specular (standard) W = White Paint	Ballast Cover: S=Single V Reflector	Lamp Quantity	Lamp/ Fixture Length: 6" U Lamp T8 or T12 (Nominal 24")	Voltage: 120 or 277	Ballast Type: LE <20THD SO* PS	Options: Add appropriate suffix to catalog no. ie. (GLR) <10THD HI* -

*Instant Start Standard

Other dimming options. Consult factory.

Options/Accessories

Prewiring: 3/8" factory prewired cable (three no. 18 AWG leads, 6' long).

Suffix: **FF6**, (Four no. 18 AWG leads, 6' long). Suffix: **FF14**.

Fusing: Internal fast-blow fusing. Suffix: **GLR**.

Internal slow-blow fusing Suffix: **GMF**.

Fluorescent Emergency Lighting System: Factory-installed emergency power battery pack with charger and inverter, concealed in fixture channel. Operates one fluorescent lamp at reduced light output for 90 minutes. Suffix: **EM**.

Radio Interference Filter: 120 or 277 volt, 50 or 60 Hz.

One per fixture. Suffix: **R**. One per ballast. Suffix: **B**.

Electrical Options: Special wiring, fusing or dimming ballasts and installed lamps are available, consult your Lightolier representative or factory.

T-Bar Spacer: If T-bar is less than 1-1/2" deep, order Catalog Number: **STC**. 2 each end is required.

Specifications

Performance: In an installation of 2 lamp 31W luminaires in a room cavity ratio of 1, with reflectance of 80% ceiling, 50% wall, 20% floor, the C.U. shall not be less than 73. To prevent glare the VCP shall not be less than 83 either lengthwise or crosswise (at 100fc level) and the average brightness at 65° shall not exceed 2817 candelas per square meter. To control veiling reflections, luminaire output in the 30°-90° zone shall not be less than 68.9%.

Specifications (continued)

Air Return: Designed to provide optimum air return. Air is returned through the lamp compartment for all ceiling systems and direct to plenum through slots in slot grid and narrow grid ceiling systems.

Materials: Chassis parts are die-formed code gauge cold rolled steel.

Housing is embossed for rigidity with all edges turned up for safe handling.

Louver is pre-anodized aluminum (Coilzak® or equal).

Finish: Louver—semi-specular anodized low iridescence, vertical grain reflector sheet. **Cavity**—white baked polyester minimum 86% reflectance. Phosphate undercoating. **Chassis exterior**—black baked polyester enamel.

Electrical: Thermally protected class "P" ballast C.B.M. approved, non PCB. If K.O. is within 3" of ballast, use wire suitable for at least 90°.

Labels: I.B.E.W./UL and ULc Listed.

Job Information

Type:

Lightolier a Genlyte Thomas Company

www.lightolier.com

Technical Information: (978) 657-7600 • Fax (978) 658-0595

631 Airport Road, Fall River, MA 02720 • (508) 679-8131 • Fax (508) 674-4710

We reserve the right to change details of design, materials and finish.

© 2003 Genlyte Thomas Group LLC (Lightolier Division)

A0902

Section 2/Folio G50-52 Rev. A

