



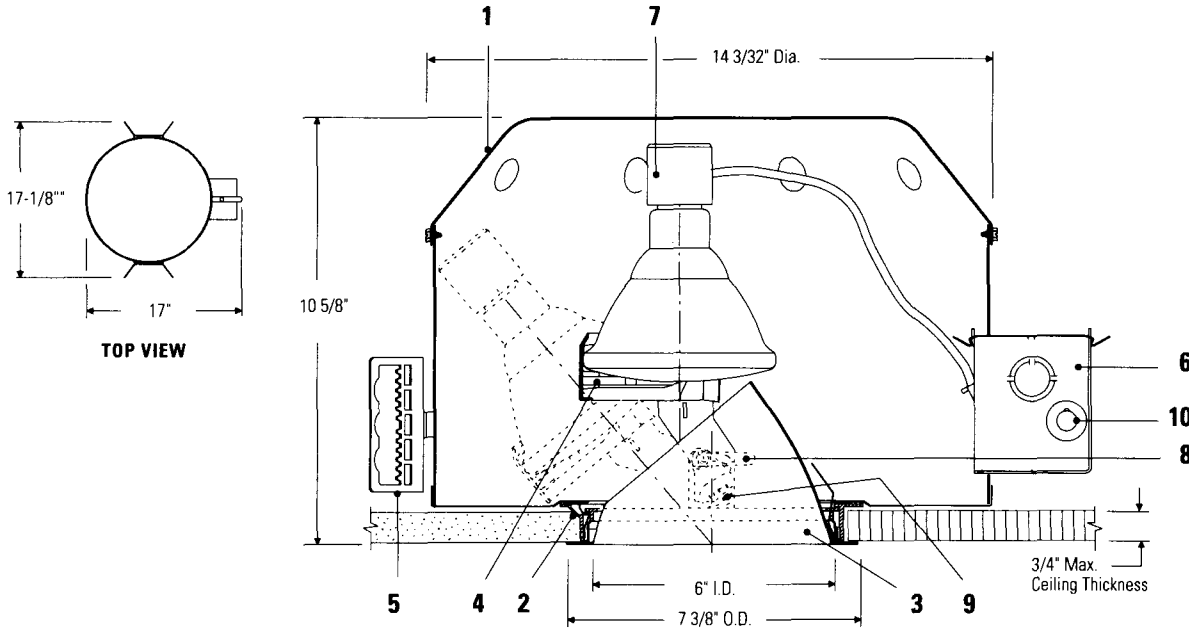
**6" Aperture  
ProSpec® PAR38  
Adjustable Accent Light**

**Calculite™  
Recessed  
Downlighting**

**PAA6P38D**

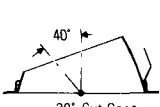
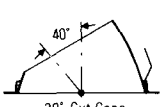
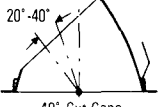
0494

TYPE:



Ceiling Cutout: 6 11/16" Dia.

**Complete Fixture consists of REFLECTOR TRIM & FRAME-IN-KIT. Order each separately.**

Reflector Trim				Frame-in Kit	
Finish					
<b>Self-Flange Polished:</b> Specular Clear Alzak Specular Gold Alzak Specular Black Alzak  <b>Self-Flange White:</b> Specular Clear Alzak Specular Gold Alzak Specular Black Alzak	<input type="checkbox"/> AA6CLP20 <input type="checkbox"/> AA6GDP20 <input type="checkbox"/> AA6BKP20	<input type="checkbox"/> AA6CLP30 <input type="checkbox"/> AA6GDP30 <input type="checkbox"/> AA6BKP30	<input type="checkbox"/> AA6CLP40 <input type="checkbox"/> AA6GDP40 <input type="checkbox"/> AA6BKP40	<input type="checkbox"/> PAA6P38D	
				Lamp: 250W Max. PAR38	

**Features**

- Housing:** Steel .029" (22 ga.) matte black finish. Top Housing: aluminum, .050" (16 ga.) matte black inside. Removable for top relamping.
- Mounting Frame:** Die-cast aluminum suitable for dry or plaster ceilings.
- Aperture Cone:** Specular Alzak® aluminum, .050" (16 ga.). Optional: polished flush trim, pewter or bronze Alzak® finish. Note: when accessories are in place the following restrictions apply: AA6 series 20° cut cone, aiming angle limited to 20° to 40°; AA6 series 30° cut cone, aiming angle limited to 30° to 40°.
- Lampholder Assembly:** Die-cast aluminum "U" shaped lamp and accessory holder provided with tension springs for fast snap-in/snap-out side mounting of lamp and various accessories (see accessory section). Provides lockable 40° vertical and 358° horizontal adjustment. Both adjustments remain locked while relamping. The relationship between the lamp aiming angle and the aperture is consistently maintained by keying cone spring to Lampholder Assembly. Hot aiming can easily be done with the blade of a screwdriver.
- Mounting Brackets:** Adjust vertically from inside and outside of fixture. Durable .059" (16 ga.) steel construction. Use with standard 3/4" or 1 1/2" lathing channels, or 1/2" (1 1/16" O.D.) EMT tubing (by others), or Lightolier accessory mounting bars.

- Junction Box:** 2 7/8" X 3 1/2" X 4"; .063" (14 ga.) galvanized steel. U.L. listed for maximum of 8 No. 12 AWG 90°C through branch circuit wires. Accessible from inside and outside of fixture. Outside J-Box door is hinged for maximum opening. Snap-in plug is provided on inside cover for quick connection with socket harness.
- Lamp Ring/Socket Harness:** Porcelain socket-medium. Nickel plated screw shell. Pre-wired with No. 18 SF1 leads to plastic plug-in connector.
- Vertical Cam Lock:** Die-cast aluminum lever provides cam action vertical adjustment lock, max. 40° adjustment.
- Horizontal Cam Lock:** Spring steel lever provides cam action horizontal adjustment lock, 358° rotation.
- Thermal Protector:** Meets NEC and UL requirements.

**Options & Accessories**

- Mounting bars:** 1950 - 18" set of (2)  
1951 - 27" set of (2)
- T-bar Anchor Clips:** 1956 - set of (4), for use with above

See separate accessory specification sheets. See P6DVL specification sheet for multi-function changeability of features.

**Labels**

U.L. (Suitable for Damp Locations); I.B.E.W. Patent Pending

WE RESERVE THE RIGHT TO CHANGE DETAILS OF DESIGN, MATERIALS AND FINISH, IN ANY WAY THAT WILL NOT ALTER INSTALLED APPEARANCE OR REDUCE FUNCTION AND PERFORMANCE.

**LIGHTOLIER a GENLYTE company.**  
100 Lighting Way, Secaucus, NJ 07096-1508  
(201) 864-3000 • FAX (201) 864-9478

Copyright 1994

**LIGHTOLIER®**