

Ordering Information

| Family | Housing Height | Indirect | Direct | Lower Shielding | Mounting | Length | Housing | Voltage | Finish | Options |
|--------------------|----------------|------------------------------|------------------------------|------------------|-------------------|------------------|-------------------|---|---------------------------|--|
| MS | 3 | | | L | SW | | J | | | |
| MicroSquare | 3 = 3" nom | S = T5 Standard H = T5 HO | S = T5 Standard H = T5 HO | L = Snap-in Lens | SW = Surface Wall | 4 = 4' 8 = 8' | J = Joiner Module | 1 = 120V 2 = 277V U = 120V - 227V | A = Aluminum W = White | 2 = 2 Cct Up/Dn Switched 4 = 4 Thru Wires D = Fluor. Dim. ¹ E = EM Pack ¹ T = Tandem Switch ² |

¹ Voltage 1 or 2 must be selected for Dimming and EM Pack. EM Pack available in 8' fixtures only.

² Tandem switch is only available in 8' length fixtures

Features

- Housing:** Single piece of high purity extruded aluminum, a portion from recycled material.
- Lamps:** One F28T5 or F54T5HO as specified. By others.
- Reflector:** Die-formed semi-specular aluminum.
- Shielding:** Extruded frosted acrylic lens.
- Alignment Mechanism:** The housing and the end cap each have a draw tight mechanism that creates a hairline joint along and at the ends of the run. To operate the mechanism, the installer tightens two screws.
- Finish:** Powder-coated, baked enamel, white or aluminum, as specified. Custom colors available, consult factory.

Electrical

Electronic Ballast: Meets ANSI starting, end-of-life protection and sound rating specifications. Low THD.

Emergency Battery Pack: 90 minute operation, 700 lumens for 54W and 520 lumens for 28W. One additional wire included. Availabl in 8' fixtures only.

Dimming: For 54W T5, Advance Mark X standard (no additional wires required); use compatible dimmer. For 28W T5, ULT Super-Dim standard (2 additional wires included); use compatible dimmer. Ballast not to exceed 1.25"(3.18cm) wide by 1.20" (3.05cm) high.

Connections: Pre-wired with 18 gauge wires and polarized cannon plug connectors for simultaneous mechanical/electrical connection.

Labels

UL, cUL and I.B.E.W.

Mounting

Surface Wall: Each module includes a full-length wall mounting channel. Channel hole pattern accommodates junction box (single gang box rotated 90 degrees) or other appropriate mounting method using customer supplied fasteners.

Ordering Instructions

Individual Fixtures:

- Order one MODULES.
- Order one End Set.

Continuous Rows:

- Determine run length.
- Order the appropriate number of MODULES for the complete run.
- Order one End Set per run.

Job Information

Type:

Job Name:

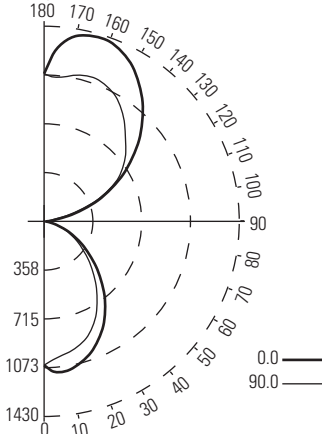
Cat. No.:

Lamp(s):

Notes:

Performance

Candlepower Curve



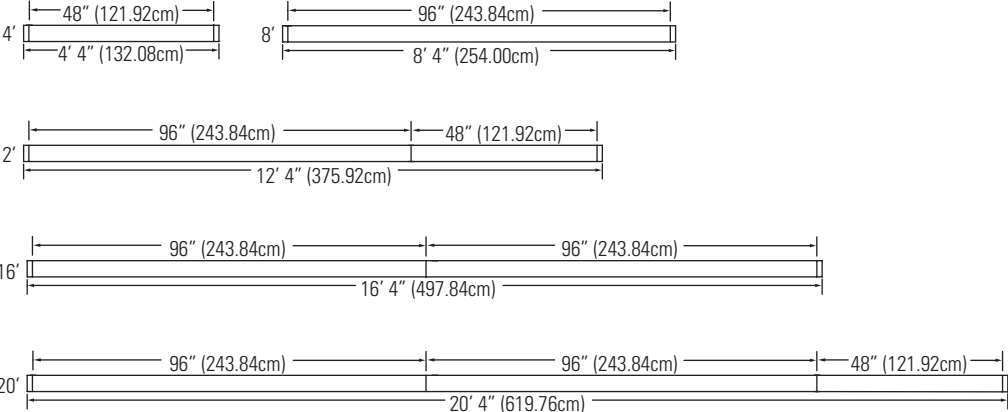
Report No.: LLI030908T.ies
 Lamps: Philips 2-F54T5/835/HO
 Lumens: 10000
 Efficiency: 65.8%
 Cat. No.: MS3HHLPC4UUW
 25°C Rating

| Zone Degree | Candlepower | | | | |
|----------------|-------------|------|------|------|------|
| | 0 | 22 | 45 | 67 | 90 |
| | Candelas | | | | |
| 180 | 1081 | 1081 | 1081 | 1081 | 1081 |
| 175 | 1345 | 1251 | 1131 | 1064 | 1047 |
| 165 | 1430 | 1339 | 1216 | 1147 | 1127 |
| 155 | 1387 | 1305 | 1194 | 1131 | 1108 |
| 145 | 1239 | 1170 | 1099 | 1037 | 1010 |
| 135 | 1036 | 1008 | 935 | 863 | 847 |
| 125 | 804 | 823 | 741 | 728 | 728 |
| 115 | 555 | 572 | 566 | 559 | 548 |
| 105 | 299 | 337 | 347 | 281 | 262 |
| 95 | 66 | 77 | 31 | 21 | 19 |
| 90 | 6 | 7 | 7 | 7 | 7 |
| 85 | 30 | 41 | 38 | 35 | 34 |
| 75 | 114 | 137 | 132 | 118 | 113 |
| 65 | 243 | 262 | 253 | 231 | 220 |
| 55 | 409 | 421 | 399 | 365 | 351 |
| 45 | 602 | 606 | 573 | 529 | 511 |
| 35 | 797 | 796 | 759 | 712 | 693 |
| 25 | 963 | 962 | 924 | 880 | 863 |
| 15 | 1078 | 1076 | 1032 | 983 | 962 |
| 5 | 1132 | 1121 | 1070 | 1020 | 1003 |
| 0 | 1053 | 1053 | 1053 | 1053 | 1053 |

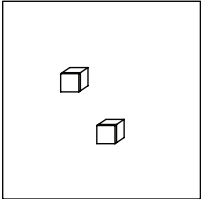
| | | Coefficients Of Utilization | | | | | | | | |
|-------------------|----|--|----|----|--------------------|----|----|----------------------------|----|----|
| | | % Effective Ceiling Cavity Reflectance | | | % Wall Reflectance | | | % Floor Cavity Reflectance | | |
| | | 80 | | | 70 | | | 50 | | |
| Room Cavity Ratio | 0 | 69 | 69 | 69 | 62 | 62 | 62 | 50 | 50 | 50 |
| | 1 | 59 | 57 | 54 | 54 | 52 | 50 | 44 | 42 | 41 |
| | 2 | 52 | 47 | 44 | 47 | 43 | 40 | 38 | 36 | 33 |
| | 3 | 45 | 40 | 36 | 41 | 37 | 33 | 33 | 30 | 28 |
| | 4 | 40 | 34 | 30 | 36 | 32 | 28 | 29 | 26 | 23 |
| | 5 | 35 | 30 | 26 | 32 | 27 | 24 | 26 | 23 | 20 |
| | 6 | 31 | 26 | 22 | 29 | 24 | 21 | 23 | 20 | 17 |
| | 7 | 28 | 23 | 19 | 26 | 21 | 18 | 21 | 18 | 15 |
| | 8 | 25 | 20 | 17 | 23 | 19 | 16 | 19 | 16 | 13 |
| | 9 | 23 | 18 | 15 | 21 | 17 | 14 | 17 | 14 | 12 |
| | 10 | 21 | 16 | 13 | 19 | 15 | 12 | 16 | 13 | 10 |

| Distribution | | | |
|--------------|---------|--------|-------------|
| Zone | Lumens | % Lamp | % Luminaire |
| 0-90 | 2504.17 | 25 | 38.1 |
| 90-180 | 4071 | 40.7 | 61.9 |
| 0-180 | 6575.16 | 65.8 | 100 |

Fixture Dimension and Mounting



Accessories



End Sets
 White: MSQ3ECSWW
 Aluminum: MSQ3ECSWA

Job Information **Type:**