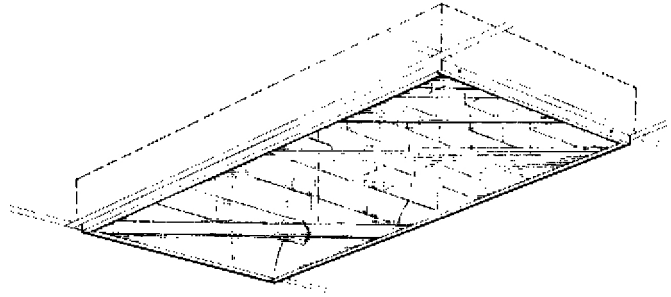


# TAMPER/GERM SHIELD MD\*4 SHIELD

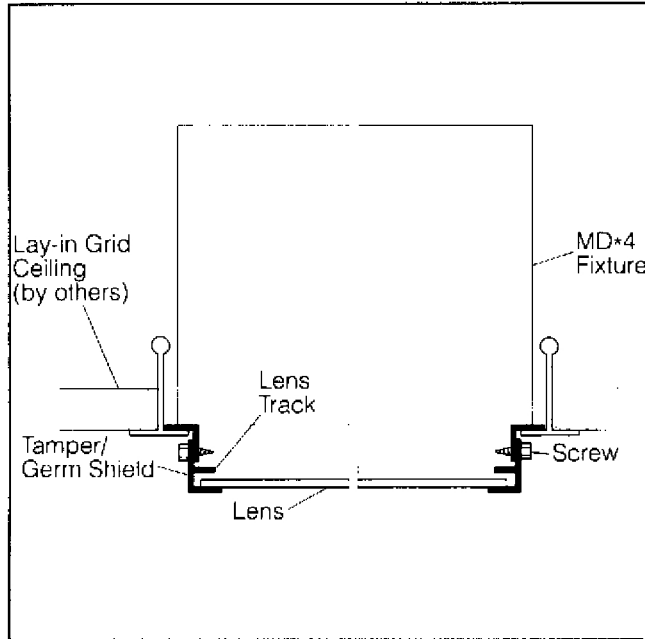
Page 1 of 2 FOR MD\*4 HOSPITAL LIGHTING, LAY-IN GRID CEILING SYSTEMS, 15/16" MAXIMUM FACE

## Features

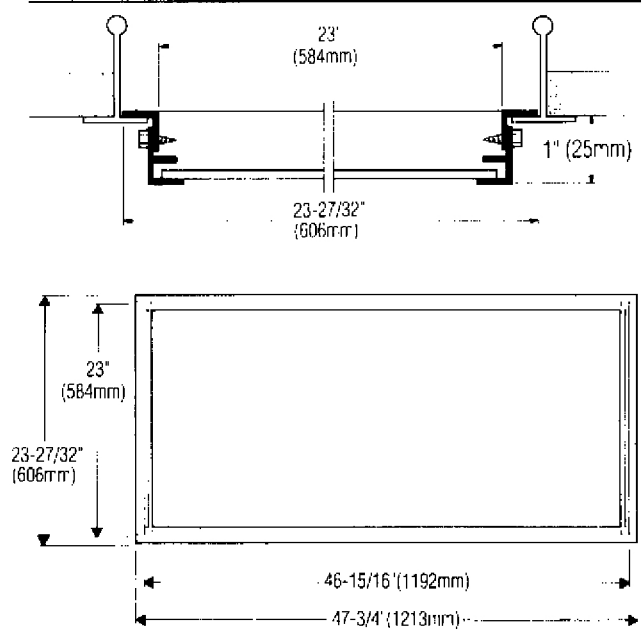
- Ideal for psychiatric wards and germ-free environments.
- Clear 1/8" thick polycarbonate lens.
- Tamper resistant.
- Heavy duty 18 gauge steel frame.
- Slotless hex head mounting screws.
- Smooth surface for easy cleaning.
- Baked white enamel finish.
- Fits lay-in grid ceiling systems with 15/16" maximum face.



## MOUNTING METHODS



## DIMENSIONS



## Ordering Information

Catalog Number **MD4TGS24**

### Job Information

### Type:

**Job Name:**

**Cat. No.:**

**Lamp(s):**

**Volts/Ballast:**

**Lightolier** a Genlyte Thomas Company

[www.lightolier.com](http://www.lightolier.com)

Technical Information: (978) 657-7600 • Fax (978) 658-0595

631 Airport Road, Fall River, MA 02720 • (508) 679-8131 • Fax (508) 674-4710

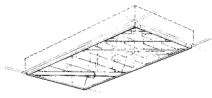
We reserve the right to change details of design, materials and finish.

© 2002 Genlyte Thomas Group LLC (Lightolier Division)

A0902

**Section 8/Folio R40-15**

**LIGHTOLIER**®



# TAMPER/GERM SHIELD MD\*4 SHIELD

Page 2 of 2 FOR MD\*4 HOSPITAL LIGHTING, LAY-IN GRID CEILING SYSTEMS, 15/16" MAXIMUM FACE

## MD\*4 TAMPER/GERM SHIELD INSTALLATION INSTRUCTIONS

**NOTE:** Tamper/Germ Shield must be installed with the Formed Frame End against the Wall and the Removable End of the Frame away from the Wall.

**1** Remove End Frame and Lens, then remove two Side Frames. Angle Tamper/Germ Shield up into Ceiling Opening setting Frame on Lay-in Grid Ceiling Tees (by others). Be sure that Screw Holes for Side Frames and Removable End Frame are below ceiling face.

**2** Angle MD\*4 Fixture up into Ceiling Opening, setting Fixture on Tamper/Germ Shield Frame between Lay-in Grid Ceiling Tees. NOTE: Refer to MD\*4 Installation Instructions (Sheet 59-30981-000) packed with Fixture before proceeding to Step 3.

**3** When Installation of Fixture is complete, replace two Side Frames, slide Lens into Lens Track and secure by replacing Removable End Frame (Reverse of Step 1).

59-31055-000

### Job Information Type:

Lightolier a Genlyte Thomas Company [www.lightolier.com](http://www.lightolier.com)  
 Technical Information: (978) 657-7600 • Fax (978) 658-0595  
 631 Airport Road, Fall River, MA 02720 • (508) 679-8131 • Fax (508) 674-4710  
 We reserve the right to change details of design, materials and finish.  
 © 2002 Genlyte Thomas Group LLC (Lightolier Division)  
 A0902 **Section 8/Folio R40-15**

# LIGHTOLIER®