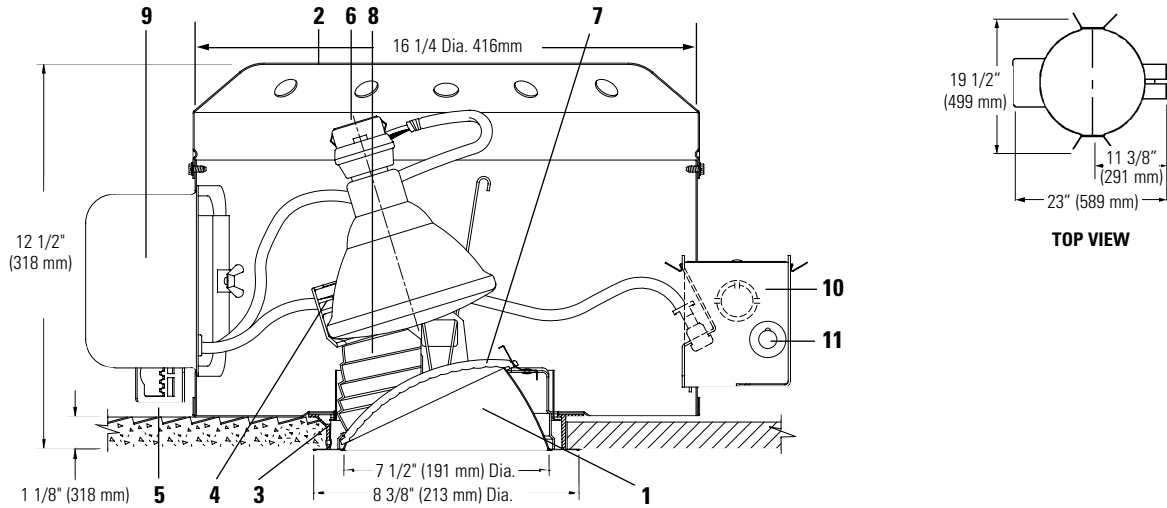




# Calculite® H.I.D. Lensed Wall Washer **LW7/PLW7P38**



**Ceiling Cutout: 8 1/4" (210 mm) Dia.**

**Complete Fixture consists of Reflector Trim & Frame-In Kit. Select each separately.**

Reflector Trim	Frame-In Kit	Lamp
<b>LW7 CLW</b> Specular Clear, White Self-Flange	<b>PLW7P38 70H</b>	70W PAR38 (Flood) Metal Halide
<b>LW7 CLP</b> Specular Clear, Polished Self-Flange	<b>PLW7P38 10H</b>	100W PAR38 (Flood) Metal Halide
<b>LW7 BKW</b> Specular Black*, White Self-Flange		
<b>LW7 BKP</b> Specular Black*, Polished Self-Flange		

## Features

- Aperture Cone:** Specular Alzak® clear or black aluminum 16 ga. Painted white or polished flange. For other finishes, consult factory.
- Housing:** Steel .029" (22ga.) matte black finish. Housing Top: aluminum, .050" (16 ga.), matte black inside. Removable for top relamping.
- Mounting Frames:** Die-cast aluminum suitable for dry or plaster ceilings.
- Lampholder Assembly:** Die-cast aluminum "U" shaped lamp holder provided with tension springs for fast snap-in/snap-out side mounting of lamp.
- Mounting Brackets:** Adjust vertically from the inside or outside of the fixture. Durable .059" (16 ga.) steel construction. Use with standard 3/4" or 1 1/2" lathing channels, or 1/2" EMT tubing (by others) or optional Lightolier mounting bars (1950 or 1951).
- Lamp Socket:** Porcelain pulse-rated socket-medium base. Nickel plated screw shell.
- Spread Lens:** Heat resistant tempered glass designed to evenly spread light on the wall.
- Wall Washer Reflector:** Anodized aluminum, 18ga. Designed to efficiently redirect light toward the wall.
- Ballast Box Assembly:** Can be accessed from below without tools for inspection or servicing.
- Junction Box:** .063" (14 ga.) galvanized steel. U. L. listed for a maximum of (8) No. 12 AWG 90°C through branch circuit wires. Accessible from inside and outside of the fixture. Outside J-Box door is hinged for maximum opening. Snap-in plug is provided on the inside cover for quick connection with socket harness.
- Thermal Protector:** Meets NEC and UL requirements. Thermal insulation shall not be installed within 3" (76mm) of the recessed fixture enclosure, wiring compartment, or ballast, and shall not be so installed above the fixture so as to entrap heat and prevent the free circulation of air.

## Electrical

**Ballast:** 120/277V, magnetic, lag type high reactance autotransformer, high power factor, encased and filled with a special thermally conductive insulation material for heat dissipation and quiet operation.

## Electrical (continued)

Ballast	ANSI Code	Voltage	Max. Amps	Input Watts
70W MH	M98	120/277	1.90/0.80	95
100W MH	M90	120/277	2.60/1.15	130

## Options and Accessories

- Mounting Bars:** 1950 - 18" Set of (2), 1951 - 27" set of (2)
- T-Bar Anchor Clips:** 1956 (set of 4), For use with mounting bars.
- Auxiliary:** Consult Factory
- Emergency Lamp:** Consult Factory
- Fuse:** Add suffix **F1** or **F2** to Frame-In Kit (F1=120V, F2=277V)
- Chicago Air Plenum:** Consult Factory
- Electronic Ballast:** Consult Factory. **EB1** = 120V, **EB2** = 277V.

\*Black finish only recommended for use with Ceramic Arc Tube Metal Halide

## Labels

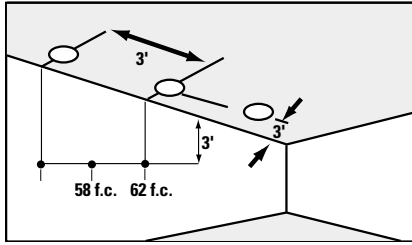
UL (Suitable for Damp Locations), I.B.E.W.

Alzak® is a registered trademark of ALCOA.

Job Information	Type:
<b>Job Name:</b>	
<b>Cat. No.:</b>	
<b>Lamp(s):</b>	
<b>Notes:</b>	

**Lightolier** a Genlyte Thomas Company www.lightolier.com  
 631 Airport Road, Fall River, MA 02720 • (508) 679-8131 • Fax (508) 674-4710  
 We reserve the right to change details of design, materials and finish.  
 © 2002 Genlyte Thomas Group LLC (Lightolier Division) • A0902

**LIGHTOLIER®**



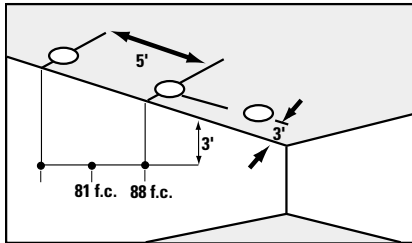
**Lighting Data**

Example: With multiple units with 70W PAR38 WFL Metal Halide lamps, installed 3' from wall and 3' on center, (matching downlights 3' on center), the illumination on the wall 3' down from the ceiling is 62 f.c. beneath and 58 f.c. between fixtures.

Footcandle values are averaged and rounded off and are based on a minimum of five units.

**Footcandles on Wall from Multiple Units – 70W PAR38 WFL Metal Halide (4800 Lumens)**

Distance from Ceiling, ft.	Units 2 Feet From Wall			Units 3 Feet From Wall			Units 4 Feet From Wall											
	2'	3'	4'	2'	3'	4'	2'	3'	4'									
1	62	55	62	51	29	51	19	17	19	16	11	16	8	7	8	7	5	7
2	138	128	138	111	69	111	40	35	40	35	23	35	16	14	16	14	11	14
3	138	134	138	101	83	101	62	58	62	52	38	52	27	23	27	24	17	24
4	108	107	108	75	70	75	65	63	65	52	45	52	35	33	35	31	24	31
5	80	80	80	56	54	56	58	57	58	45	42	45	38	36	38	32	28	32
6	60	60	60	42	41	42	49	48	49	38	36	38	36	35	36	30	27	30
7	45	45	45	32	32	32	40	40	40	31	38	31	32	32	32	26	25	26
8	35	35	35	25	25	25	33	33	33	26	25	26	28	28	28	23	23	23
9	27	28	27	20	20	20	28	28	28	22	22	22	25	25	25	28	28	28
10	22	22	22	17	17	17	23	23	23	18	18	19	22	22	22	18	18	18
11	19	19	19	14	15	14	20	20	20	16	16	16	19	19	19	16	16	16
12	16	16	16	13	13	13	17	18	17	14	14	14	17	17	17	14	14	14
13	14	14	14	12	12	12	16	16	16	13	13	13	16	16	16	13	13	13
14	13	13	13	11	11	11	15	15	15	12	12	12	14	14	14	12	12	12



**Lighting Data**

Example: With multiple units with 100W PAR38 WFL Metal Halide lamps, installed 3' from wall and 3' on center, (matching downlights 3' on center), the illumination on the wall 3' down from the ceiling is 88 f.c. beneath and 81 f.c. between fixtures.

Footcandle values are averaged and rounded off and are based on a minimum of five units.

**Footcandles on Wall from Multiple Units – 100W PAR38 WFL Metal Halide (6800 Lumens)**

Distance from Ceiling, ft.	Units 2 Feet From Wall			Units 3 Feet From Wall			Units 4 Feet From Wall											
	2'	3'	4'	2'	3'	4'	2'	3'	4'									
1	88	78	88	72	41	72	26	23	26	22	16	22	11	10	11	10	7	10
2	196	182	196	157	98	157	57	50	57	49	32	49	23	20	23	20	15	20
3	195	198	195	142	118	142	88	81	88	74	55	74	38	33	38	34	24	34
4	153	151	153	107	99	107	92	89	92	74	63	74	50	47	50	43	35	44
5	114	113	114	79	76	79	82	81	82	64	59	64	53	51	53	45	39	45
6	85	85	85	59	58	59	69	68	69	53	51	54	50	49	50	42	39	42
7	64	64	64	46	45	46	57	57	57	44	43	44	45	45	45	37	36	37
8	49	50	49	36	36	36	47	47	47	37	36	37	40	40	40	33	32	33
9	39	39	39	29	29	29	39	39	39	31	31	31	35	35	35	29	28	29
10	31	32	32	24	24	24	33	33	33	26	26	26	31	31	31	25	25	25
11	26	26	26	20	21	20	28	28	28	23	23	23	27	27	27	22	22	22
12	22	23	23	18	18	18	25	25	25	20	20	20	24	24	24	20	20	20
13	20	20	20	16	16	16	22	22	22	18	18	18	22	22	22	18	18	18
14	18	19	19	15	16	15	21	21	21	17	17	17	20	20	20	17	17	17

**Job Information** **Type:**

Lightolier a Genlyte Thomas Company www.lightolier.com  
 631 Airport Road, Fall River, MA 02720 • (508) 679-8131 • Fax (508) 674-4710  
 We reserve the right to change details of design, materials and finish.  
 © 2002 Genlyte Thomas Group LLC (Lightolier Division) • A0902

**LIGHTOLIER®**