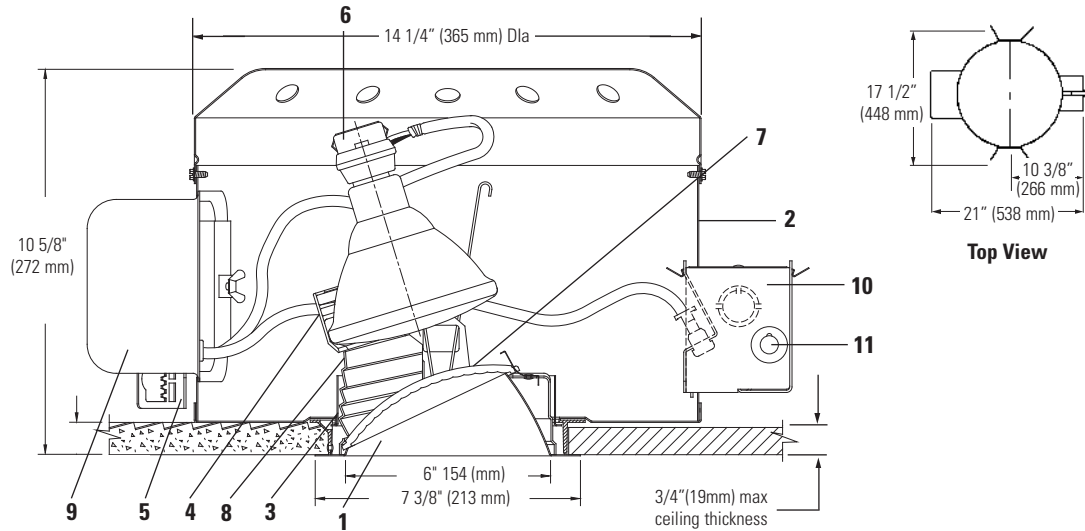




Calculite® H.I.D. Lensed Wall Washer **LW6/PLW6P38**



Ceiling Cutout: 6 11/16" (172 mm) Dia.

Complete Fixture consists of Reflector Trim & Frame-In Kit. Select each separately.

Reflector Trim		Frame-In Kit	Lamp
LW6 CLW	Specular Clear, White Self-Flange	PLW6P3870H	70W PAR38 (Flood) Metal Halide
LW6 CLP	Specular Clear, Polished Self-Flange	PLW6P3810H	100W PAR38 (Flood) Metal Halide
LW6 BKW	Specular Black*, White Self-Flange		
LW6 BKP	Specular Black*, Polished Self-Flange		

Features

- Aperture Cone:** Specular Alzak® clear or black aluminum 16 ga. Painted white or polished flange. For other finishes, consult factory.
- Housing:** Steel .029" (22ga.) matte black finish. Housing Top: aluminum, .050" (16 ga.), matte black inside. Removable for top relamping.
- Mounting Frames:** Die-cast aluminum suitable for dry or plaster ceilings.
- Lampholder Assembly:** Die-cast aluminum "U" shaped lamp holder provided with tension springs for fast snap-in/snap-out side mounting of lamp.
- Mounting Brackets:** Adjust vertically from the inside or outside of the fixture. Durable .059" (16 ga.) steel construction. Use with standard 3/4" or 1 1/2" lathing channels, or 1/2" EMT tubing (by others) or optional Lightolier mounting bars (1950 or 1951).
- Lamp Socket:** Porcelain pulse-rated socket-medium base. Nickel plated screw shell.
- Spread Lens:** Heat resistant tempered glass designed to evenly spread light on the wall.
- Wall Washer Reflector:** Anodized aluminum, 18ga. Designed to efficiently redirect light toward the wall.
- Ballast Assembly:** Can be accessible from below without tools for inspection or servicing.
- Junction Box:** .063" (14 ga.) galvanized steel. U. L. listed for a maximum of (8) No. 12 AWG 90°C through branch circuit wires. Accessible from inside and outside of the fixture. Outside J-Box door is hinged for maximum opening. Snap-in plug is provided on the inside cover for quick connection with socket harness.
- Thermal Protector:** Meets NEC and UL requirements. Thermal insulation shall not be installed within 3" (76mm) of the recessed fixture enclosure, wiring compartment, or ballast, and shall not be so installed above the fixture so as to entrap heat and prevent the free circulation of air.

Electrical

Ballast: 120/277V, magnetic, lag type high reactance autotransformer, high power factor, encased and filled with a special thermally conductive insulation material for heat dissipation and quiet operation.

Electrical (continued)

Ballast	ANSI Code	Voltage	Max. Amps	Input Watts
70W MH	M98	120/277	1.90/0.80	95
100W MH	M90	120/277	2.60/1.15	130

Options and Accessories

- Mounting Bars:** 1950 - 18" Set of (2), 1951 - 27" set of (2)
- T-Bar Anchor Clips:** 1956 (set of 4). For use with mounting bars.
- Auxiliary:** Consult Factory
- Emergency Lamp:** Consult Factory
- Fuse:** Add suffix **F1** or **F2** to Frame-In Kit (F1=120V, F2=277V)
- Chicago Air Plenum:** Consult Factory
- Electronic Ballast:** Consult factory. **EB1**=120V **EB2**=277V

*Black finish only recommended for use with ceramic arc tube Metal Halide.

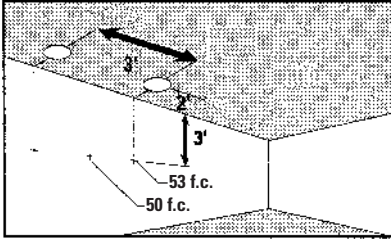
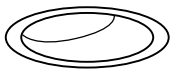
Labels

- UL (Suitable for Damp Locations), I.B.E.W.
- Alzak® is a registered trademark of ALCOA.

Job Information	Type:
Job Name:	
Cat. No.:	
Lamp(s):	
Notes:	

Lightolier a Genlyte Thomas Company www.lightolier.com
 631 Airport Road, Fall River, MA 02720 • (508) 679-8131 • Fax (508) 674-4710
 We reserve the right to change details of design, materials and finish.
 © 2011 Genlyte Thomas Group LLC (Lightolier Division) • B0711

LIGHTOLIER®



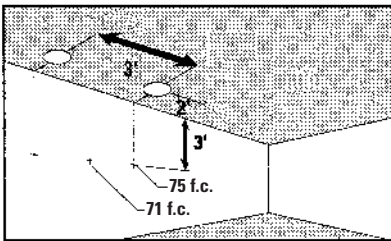
Lighting Data

Example: With multiple units, using 70W PAR38WFL Metal Halide lamps located 3' from wall and 3' on center, (matching downlights 3' on center), the illumination on the wall 3' down from the ceiling is 53 f.c. beneath and 50 f.c. between fixtures.

Footcandle values are averaged and rounded off and are based on a minimum of five units.

Footcandles on Wall from Multiple Units – 70W PAR38 WFL Metal Halide (4800 lumens)

Distance from Ceiling, ft.	UNITS 2 FEET FROM WALL			UNITS 3 FEET FROM WALL			UNITS 4 FEET FROM WALL			UNITS 5 FEET FROM WALL								
	2'	3'	4'	2'	3'	4'	2'	3'	4'	2'	3'	4'						
1	63	57	63	50	32	50	20	18	20	17	12	17	9	8	9	8	6	8
2	118	112	118	93	62	93	38	34	38	32	23	32	16	15	16	14	11	14
3	111	109	111	81	68	81	53	50	53	44	34	44	25	23	25	22	17	22
4	85	85	86	60	56	60	53	51	53	42	37	43	30	29	30	26	22	26
5	63	63	63	44	43	44	46	46	47	36	34	36	31	30	31	26	23	26
6	47	47	47	33	33	33	39	38	39	30	29	30	29	28	29	24	22	24
7	35	36	35	25	25	25	32	32	32	25	24	25	26	25	26	21	20	21
8	27	27	27	20	20	20	26	26	26	21	20	21	22	22	22	18	18	18
9	22	22	22	16	16	16	22	22	22	17	17	17	20	20	20	16	16	16
10	18	18	18	13	14	13	18	19	18	15	15	15	17	17	17	14	14	14
11	15	15	15	12	12	12	16	16	16	13	13	13	15	15	15	13	13	13
12	13	13	13	10	10	10	14	14	14	11	11	11	14	14	14	11	11	11
13	11	11	11	9	9	9	12	13	12	10	10	10	12	12	12	10	10	10
14	10	11	11	9	9	9	11	12	11	9	10	9	11	11	11	10	10	10



Lighting Data

Example: With multiple units, using 100W PAR38WFL Metal Halide lamps located 3' from wall and 3' on center, (matching downlights 3' on center), the illumination on the wall 3' down from the ceiling is 75 f.c. beneath and 71 f.c. between fixtures.

Footcandle values are averaged and rounded off and are based on a minimum of five units.

Footcandles on Wall from Multiple Units – 100W PAR38 WFL Metal Halide (6800 lumens)

Distance from Ceiling, ft.	UNITS 2 FEET FROM WALL			UNITS 3 FEET FROM WALL			UNITS 4 FEET FROM WALL			UNITS 5 FEET FROM WALL								
	2'	3'	4'	2'	3'	4'	2'	3'	4'	2'	3'	4'						
1	89	81	89	70	45	70	28	25	28	24	17	24	12	11	12	11	9	11
2	167	159	168	131	88	131	54	49	54	46	33	46	23	21	23	20	16	20
3	158	154	158	115	96	115	75	71	75	62	48	62	35	32	35	31	24	31
4	121	120	121	85	80	85	75	73	75	60	52	60	43	41	43	37	31	37
5	89	90	89	62	61	62	66	65	66	52	48	52	44	42	44	37	33	37
6	67	67	67	47	46	47	55	55	55	42	41	42	41	40	41	34	31	34
7	50	50	50	36	36	36	45	45	45	35	34	35	36	36	36	30	29	30
8	39	39	39	28	28	28	37	37	37	29	29	29	32	32	32	26	26	26
9	30	31	31	23	23	23	31	31	31	24	24	24	28	28	28	23	23	23
10	25	25	25	19	19	19	26	26	26	21	21	21	24	24	24	20	20	20
11	21	21	21	16	16	16	22	22	22	18	18	18	21	22	22	18	18	18
12	18	18	18	14	15	14	20	20	20	16	16	16	19	19	19	16	16	16
13	16	16	16	13	13	13	18	18	18	14	14	14	17	18	17	15	15	15
14	15	15	15	12	13	12	16	16	16	13	13	13	16	16	16	13	14	14

LIGHTOLIER

Job Information **Type:**

Lightolier a Genlyte Thomas Company www.lightolier.com
 631 Airport Road, Fall River, MA 02720 • (508) 679-8131 • Fax (508) 674-4710
 We reserve the right to change details of design, materials and finish.
 © 2011 Genlyte Thomas Group LLC (Lightolier Division) • B0711