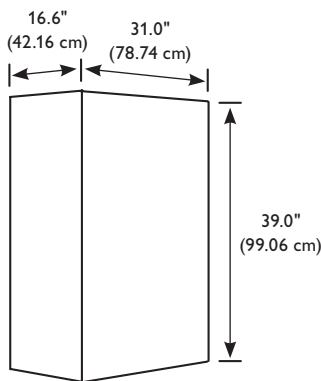


LUPS Series

550-1,500 VA UNINTERRUPTIBLE POWER SUPPLY

Page 1 of 2

LUPS550A



Overall Characteristics

Features: 82-86% throughput efficiency. Single conversion UPS, no transfer time. Operating temperature range of 32°F (0°C) to 104°F (40°C); 65°F (19°C) to 85°F (30°C) for batteries. Standard 90 minutes of operating time, 10 and 20 minute operating times available. Full-time, isolating transformer. Variable range regulator allows wider range of acceptable input voltage variation. ANSI/IEEE C62.41 category A & B surge voltage withstand capability.

Application: Operates incandescent, electronic ballast loads and HID lighting loads as well as critical loads requiring conditioned emergency power.

Housing: Free standing, NEMA 1 enclosure with locking doors and acid-resistant powder coat finish. Multiple conduit entries available.

Battery: Maintenance free, sealed lead calcium battery with an expected life up to 10 years, and optimum operating range of 65°F (19°C) to 85°F (30°C).

Input: Input power factor is self-correcting to > 0.95. Frequency range 60.0 Hz \pm 2.5 Hz. Input voltage tolerance is +10% to -15%. Input harmonics is < 8% THD.

Output: Solid state PWM inverter with sine wave output. Output voltage regulation is \pm 3% of nominal at full load. Output frequency is 60 Hz + 0.2%. Load power factor capability is 0.6 lagging to unity. Overload rating is 125% for 10 minutes.

Charger: Low voltage disconnect (LVD). Recharge time is UL 924 compliant.

Standard Metering/

Controls: AC input and output voltage, AC input breaker, and AC output breaker. Battery disconnect device and automatic battery monitor with alarm. LED indicating lamps for system on utility, system on battery, and low battery warning.

Code Compliance

UL 924 and UL 924 auxiliary equipment listed.

Warranty

One year electronics warranty. One year full, nine years pro-rata battery warranty. Extended warranty options available.

Job Information	Type:
Job Name:	
Cat. No.:	
Notes:	

PHILIPS

LIGHTOLIER

LUPS Series

550-1,500 VA UNINTERRUPTIBLE POWER SUPPLY

Ordering Information

Series

LUPS = LUPS Uninterruptible Power Supply for Emergency Lighting Applications, 90 Min. Backup

LUPSX = 10 Min. Backup

LUPSY = 20 Min. Backup

VA Rating

550 = 550 VA
1000 = 1,000 VA
1500 = 1,500 VA

Voltage Configuration

A = 120 V Input/Output
B = 277 V Input/Output

Optional Output Circuit Breakers

OCB1 = 550 VA
OCB3 = 1,000, 1,500 VA

Factory Installed Options

FSU = Start-Up Service
EXT = Extended Warranty¹

Note

1) EXT option only available with FSU.

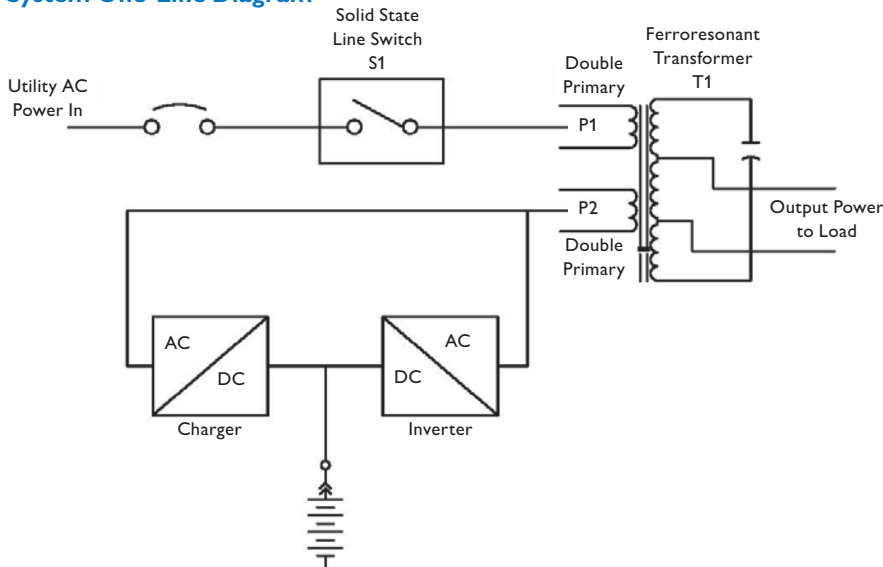
System Input/Output Ratings

MODEL	CAPACITY	Input (select one)		AVAILABLE OUTPUT		BREAKERS INCLUDED	HEAT REJECTION (BTU/HR)
		AC INPUT VOLTAGES	INPUT AMPS ¹	VOLTAGES/MAX LOAD AMPS			
				120 V	277V		
LUPS550	550 VA	120	6.5	4.6		1	410
		277	2.8		2.0	1	
LUPS1000	1,000 VA	120	11.5	8.3		3	545
		277	5.0		3.6	3	
LUPS1500	1,500 VA	120	17.2	12.5		3	615
		277	7.4		5.4	3	

Note

1) Maximum input current.

System One-Line Diagram



	550 VA	1000 VA	1500 VA
CABINET & ELECTRONICS	223 lbs (101.0 kg)	223 lbs (101.0 kg)	262 lbs (119.0 kg)
SEALED LEAD CALCIUM BATTERY			
10 Min Backup	44 lbs (19.9 kg)	59 lbs (26.8 kg)	88 lbs (39.9 kg)
20 Min Backup	54 lbs (24.5 kg)	88 lbs (39.9 kg)	108 lbs (49.0 kg)
90 Min Backup	121 lbs (55.0 kg)	203 lbs (92.0 kg)	288 lbs (131.0 kg)



Philips Lightolier
e: lol.webmaster@philips.com
t: (508) 679-8131
w: www.lightolier.com

LUPS Series September 2, 2011

Specifications are subject to change without notice.
© Koninklijke Philips Electronics N.V., 2011. All rights reserved.

Job Information Type: