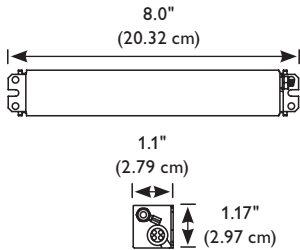


# LPTC Series

## FLUORESCENT LIGHTING TRANSFER CIRCUIT

Page 1 of 2

### LPTC



### Features

**Illumination:** Emergency illumination is provided to designated fluorescent fixtures by transferring backup generator or inverter power to the AC ballast. The designated emergency fixture can be locally switched, and will provide full-rated light output when operating from emergency power.

**Housing:** Housing and cover are constructed of 24 gauge galvanized steel. Low profile housing allows mounting in most low-profile fluorescent fixtures with low-profile AC ballast.

**Operating Temperature Range:**  
32°F (0°C) to 131°F (55°C)

### Electronics: 120/277 VAC

dual input voltage with all inputs fused to 3 A.

### Electrical Specifications:

(120/277 VAC) .27 mA, 1.48 W  
All inputs fused to 3 A

### Code Compliance

UL 924 "Auxiliary Power and Lighting Equipment" listed. UL damp location listing standard. NFPA 101, NEC, BOCA, OSHA and IBC illumination standards.

### Warranty

Five years full warranty.

Job Information	Type:
Job Name:	
Cat. No.:	
Notes:	

**PHILIPS**  
**LIGHTOLIER**

# LPTC Series

## FLUORESCENT LIGHTING TRANSFER CIRCUIT

Page 2 of 2

### Ordering Information

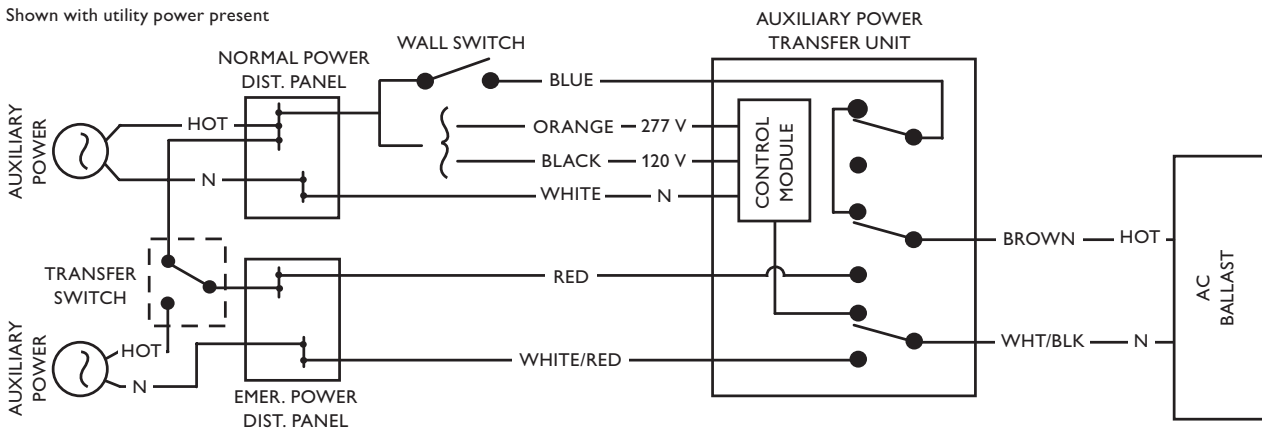
**LPTC**

Series

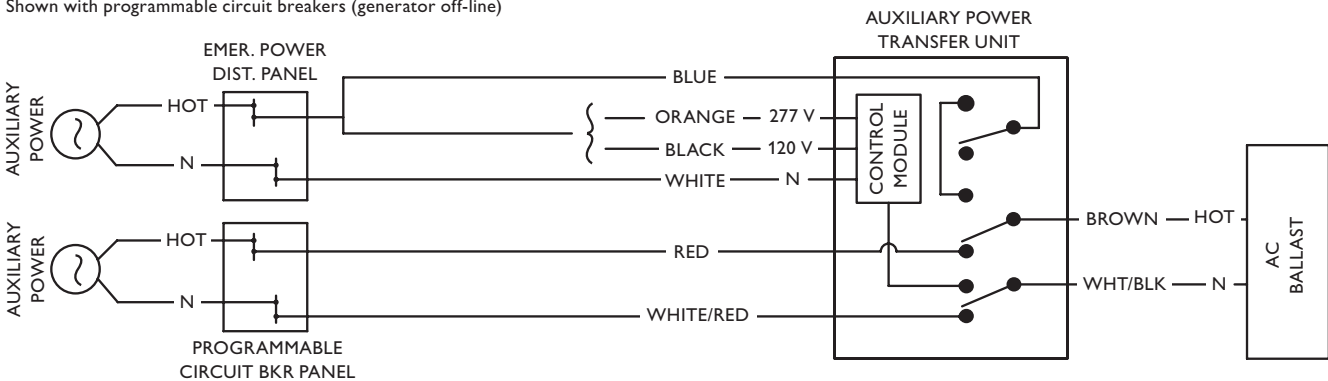
**LPTC** = Auxiliary  
Power Transfer Circuit

### Typical Wiring Diagram

Shown with utility power present



Shown with programmable circuit breakers (generator off-line)



Philips Lightolier  
e: lol.webmaster@philips.com  
t: (508) 679-8131  
w: www.lightolier.com

LPTC Series August 11, 2011

Specifications are subject to change without notice.  
© Koninklijke Philips Electronics N.V., 2011. All rights reserved.

**Job Information** Type: