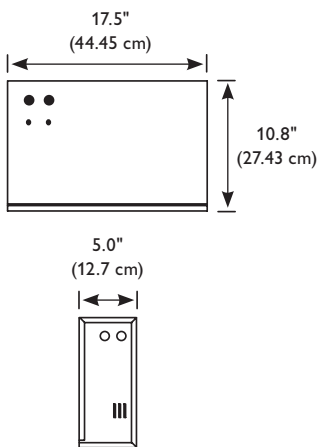


LPE Series

SYSTEM FOR NORMAL AND EMERGENCY POWER

Page 1 of 2

LPE



Features

Illumination: The LPE Series is designed to provide continuous low-voltage normal power and emergency power to support 12 VAC LP Series and LP Series Bollard luminaires.

Housing: The LPE Series is constructed of heavy 18 gauge die-formed steel and has an easily removable front cover for inspection, service, and maintenance. Top and side knockouts are conveniently located to route output circuits or to hardwire if used in a commercial application. The LPE Series is designed specifically for wall mounting and is provided with keyhole slots on the back for ease of installation.

Operating Temperature Range:
65°F (19°C) to 85°F (30°C)

Controls:

The LPE Series supports two front mounted toggle switches for control of two 75 W luminaire output circuits. A momentary push switch is located on the right side of the power system, and when actuated, will simulate a power failure to engage the emergency battery power supply. Also located on the right side of power system is a red LED indicator lamp, that when illuminated, indicates a system normal operation with utility power available.

Electronics: The LPE Series electronics consists of three sections to include a fully automatic battery charging system, output isolation transformer, and a power failure sensing control circuit that automatically routes battery power to LP Series luminaires in the event of a power failure.

Electrical Specifications:

Input:
120 VAC, 60 Hz, 1.9 A max
Normal output:
12 VAC, 60 Hz, 150 VA/150 W
Emergency output:
12 VDC, 150 W via (2) 75 W circuits

Code Compliance

ETL listed to UL standard 924.

Warranty

Three year full warranty on electronics. One year full warranty on batteries, with additional four year pro-rata warranty coverage.

Job Information	Type:
Job Name:	
Cat. No.:	
Notes:	

PHILIPS
LIGHTOLIER

LPE Series

SYSTEM FOR NORMAL AND EMERGENCY POWER

Page 2 of 2

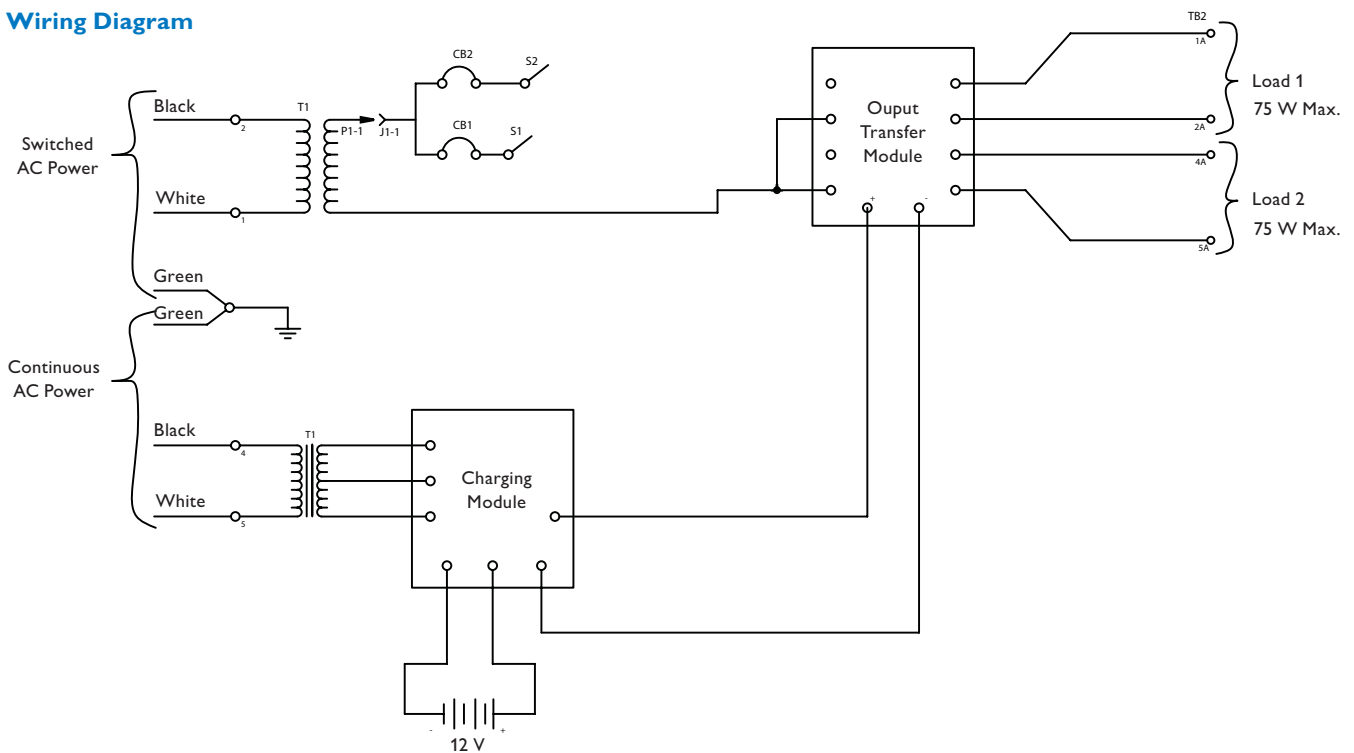
Ordering Information

LPE

Series

LPE = LPE Series
Power System

Wiring Diagram



Philips Lightolier
e: lol.webmaster@philips.com
t: (508) 679-8131
w: www.lightolier.com

LPE Series September 13, 2011

Specifications are subject to change without notice.
© Koninklijke Philips Electronics N.V., 2011. All rights reserved.

Job Information Type: