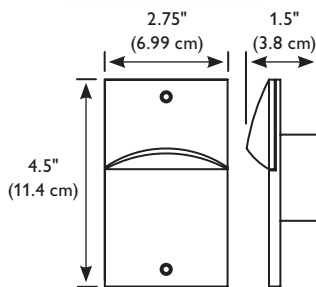


LP Series

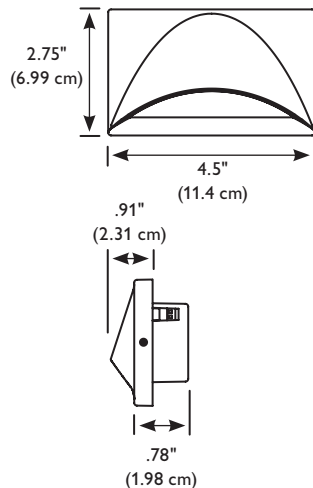
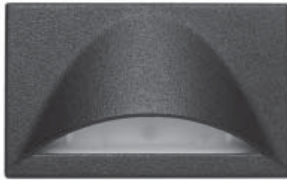
Low Level Recessed LED Luminaire

Page 1 of 2

LP1SBK



LPH1SBK



Features

Illumination: The LP Series LED utilizes three high performance white LEDs combined with a solid-state integral driver circuit. A user-selectable, three level intensity control or an optional line voltage dimmable driver (120 VAC models only) are available. The LP Series operates at 3,500 K nominal with a CRI of 80.

Housing: Assembled from premium die cast aluminum components and painted in a durable powder coat finish. Numerous standard finishes available with optional finishes available for custom projects. Assembled as a one-piece device that includes the LED light engine, integral power supply, three level intensity control or line voltage dimmable driver (120 VAC models only). All LED and electrical components are protected by both a polycarbonate lens, and high impact power supply case that will be located within the junction box.

Electrical Specifications:
Current at dip switch setting
12 VDC: low 0.140 A, medium 0.330 A, high 0.430 A
12 VAC: low 0.220 A, medium 0.465 A, high 0.585 A
120 VAC: low 0.035 A, medium 0.065 A, high 0.085 A
120 VAC line voltage dimmable: 60 Hz, 0.072 A

Operation: “Normally On” remote power supplies are available from 100VA to 500VA in 12 VAC. Power supplies (120 VAC input) conform to UL 1598 and are rated as Class 2 Distribution systems. All power supplies are furnished in a UL type 3R enclosure and are provided with thermal type secondary output circuit protection. (Suggested for use with Lightolier’s LPS Series) “Normally Off/Emergency” remote power can be provided by any Lightolier 12V emergency lighting product with additional remote capacity. (Suggested for use with Lightolier catalog No. C3250 or C3275.) “Normally On/Emergency” remote power can be provided by Lightolier LM emergency power system. The LM system will support up to 14 LP Series luminaires operating in both continuous duty and emergency operation for 90 minutes.

Electronics: Designed with all solid-state components with a rating of 10 years of continuous “normally on” use. Electrical connection is made via two flying leads. Standard product incorporates dip switches on rear of product allowing three levels of intensity. An optional line voltage dimmable driver is available on 120 VAC models. The line voltage dimmable driver requires a reverse-phase ELV dimming system.

Operating Temperature Range: Standard wet location -31°F (-35°C) to 104°F (40°C)

Code Compliance
UL 1598 and 924 listed. UL listed for wet locations. NFPA 101, NEC, BOCA, OSHA and IBC illumination standards. Meets ADA specifications for wall mounted lighting fixtures.

Warranty
Five-year full electronics warranty.






Job Information	Type:
Job Name:	
Cat. No.:	
Notes:	

PHILIPS
LIGHTOLIER

LP Series

Low Level Recessed LED Luminaire

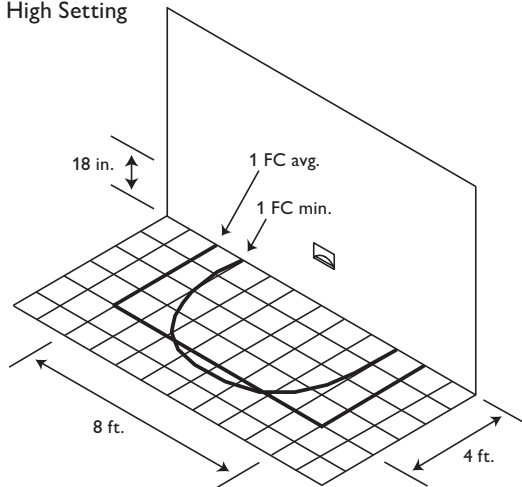
Ordering Information

				
Series	Input Voltage	Lens	Finish	Driver Option
LP = Low Level Emergency Lighting Product LPH = Horizontal Low Level Emergency Lighting Product	1 = 12V AC, DC 2 = 120 VAC	S = Satin	WH = White BK = Black IV = Ivory A = Aluminum G = Gunmetal BR = Ornamental Bronze AC = Aged Copper VG = Velvet Green GA = Granite N = Nickel	Blank = Adjustable Dip Switch Dim = Line Voltage Dimmable ¹

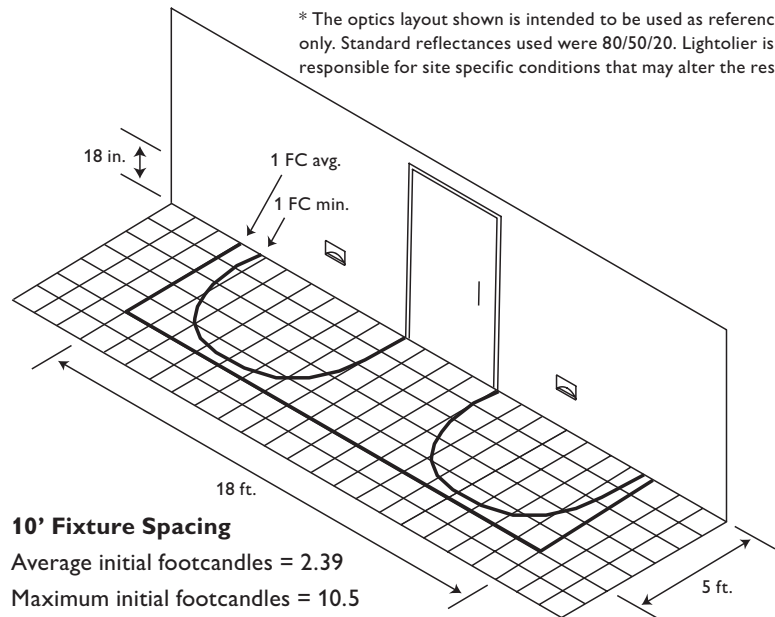
Note
1) Line voltage dimmable driver available only with 120 VAC (LP2, LPH2) models.

Optics

Wall Mounted 18" AFF
High Setting



Average initial footcandles = 3.11
Maximum initial footcandles = 10.1
Minimum initial footcandles = 0.4
Maximum to minimum ratio = 25.25



10' Fixture Spacing
Average initial footcandles = 2.39
Maximum initial footcandles = 10.5
Minimum initial footcandles = 0.3
Maximum to minimum ratio = 35.00

* The optics layout shown is intended to be used as reference only. Standard reflectances used were 80/50/20. Lightolier is not responsible for site specific conditions that may alter the results.

Lumen Output

The following data represents absolute lumen output in accordance with test method IESNA LM-79-08.

	Vertical, Lumens			Horizontal, Lumens			
	Low	Med	High	Low	Med	High	
12 VAC/VDC	57.1	123.5	156.0	12 VAC/VDC	54.2	113.1	148.8
120 VAC	65.5	123.8	156.0	120 VAC	62.9	119.3	148.7
120 VAC DIM		162.6		120 VAC DIM		128.7	



Philips Lightolier
e: lol.webmaster@philips.com
t: (508) 679-8131
w: www.lightolier.com

LP Series April 24, 2012

Specifications are subject to change without notice.
© Koninklijke Philips Electronics N.V., 2012. All rights reserved.

Job Information Type: