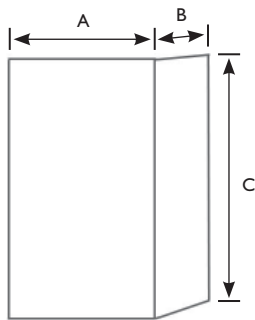


LOT Series

1.5-4.2 kVA SINGLE PHASE UPS

LOT



	1.5-3.5 kVA	4.2 kVA
Width (A)	36"	36"
Depth (B)	24"	24"
Height (C)	72"	80"

Overall Characteristics

Features: 90% throughput efficiency with 85% emergency efficiency. Operating temperature range 32°F (0°C) to 104°F (40°C). Fault current rating of 42 kAIC. Audible noise less than 50 dB at 3 ft on "A" weighted scale. Automatic low battery voltage disconnect. Double conversion with no interruption. Solid state pulse width modulated inverter. Internal, make before break maintenance by-pass. Standard UL 924 compliant, 90 minute battery back up. UL 924 auxiliary equipment 10 and 20 minute back up available. Microprocessor control and diagnostic system. LED array system status panel. Fault annunciating audible alarm. Current limiting start sequence. Optional output circuit breakers (OCB) and circuit breakers with trip alarm (OCBA). Optional normally off load (NOL) energizes only during power outage, normally off load with time delay (TDT) also available. Free standing NEMA 1 enclosure. Lockable control access panel. Seismic anchoring compatible.

Application: The solid state pulse width modulated (PWM) inverter offers enhanced load compatibility. It operates incandescent, magnetic, and electronic ballast fluorescent, high power factor compact fluorescent and high intensity discharge (HID) luminaries. Provides conditioned, uninterruptible power for other types of critical loads. Consult factory for non-lighting load applications.

Input: Input power factor correcting to 0.99. Frequency range 60 Hz, ±2.5 Hz. Input harmonic current distortion < 5%THD. UL1449, ANSI/IEEE C62.41 surge suppression.

Output: Sine wave output. Voltage regulation ±2%. Frequency regulation is synchronized to utility and free running 60 Hz, ±0.5%. Output voltage distortion maximum 3% THD with linear load. Load power factor capability 0.7 lead to 0.7 lag. Overload capability 125% for 10 seconds.

Code Compliance

UL 924 and UL 924 auxiliary equipment listed.

Warranty

Lightolier will provide parts and on-site labor for the first 12 months following start-up of the product, and parts only for an additional 12 months. If factory start-up is not executed within 120 days of shipment, Lightolier will provide a parts warranty for 12 months from the date of shipment. Consult factory for extended warranty and service option.

Job Information	Type:
Job Name:	
Cat. No.:	
Notes:	

LOT Series

1.5-4.2 kVA SINGLE PHASE UPS

Ordering Information

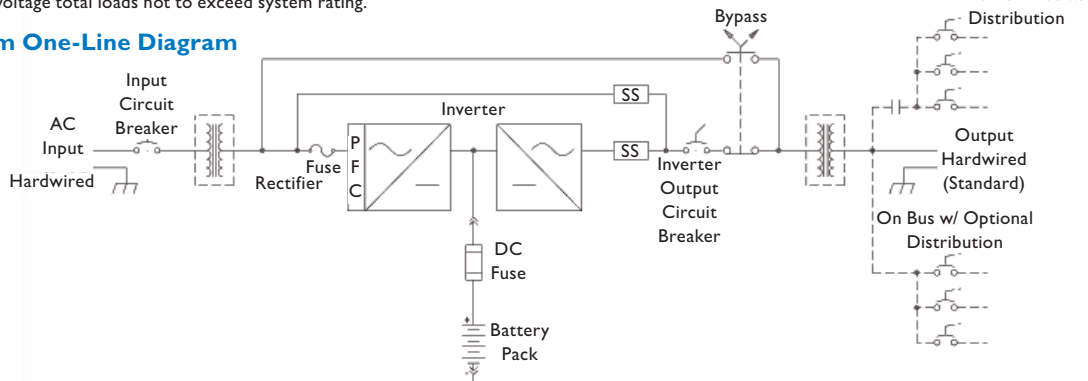
Series	Input Voltage	Output Voltage	Unit Size	Battery Time	NoI	Qty Circuit Breakers	Breakers On 2nd Voltage	# NoI Circuit Breakers	NoI Voltage	Qty NoI 2nd Voltage
LOT = Single Phase UPS System for Emergency Lighting Applications	A = 120 V G = 120/240 V J = 277 V L = 120/208 V	A = 120 V G = 120/240 V J = 277 V L = 120/208 V Y = 120/277 V	1.5 = 1.5 kVA 2.2 = 2.2 kVA 3.0 = 3.0 kVA 3.5 = 3.5 kVA 4.2 = 4.2 kVA	S = 90 Min X = 10 Min Y = 20 Min	0 = None 1 = Yes T = NoI w/ TDT	00X = Hardwire 01X = 1 OCB 02X = 2 OCB 03X = 3 OCB 04X = 4 OCB . 20X = 20 OCB ----- 01A = 1 OCBA 02A = 2 OCBA 03A = 3 OCBA . 10A = 10 OCBA (max. pole spaces 20)	00 = 2nd Voltage Hardwire or No 2nd Voltage 01 02 03 . 19	A = 1 B = 2 C = 3 D = 4 E = 5 F = 6 G = 7 H = 8 I = 9 J = 10 K = 11 L = 12 M = 13 N = 14 O = 15 P = 16 Q = 17 R = 18 S = 19 T = 20 Z = No NoI	1 = First 2 = Second 3 = Both 0 = No NoI	A = 1 B = 2 C = 3 D = 4 E = 5 F = 6 G = 7 H = 8 I = 9 J = 10 K = 11 L = 12 M = 13 N = 14 O = 15 P = 16 Q = 17 R = 18 S = 19 Z = No NoI

System Input/Output Ratings

System Rating (kW/kVA)	1.5	2.2	3.0	3.5	4.2
Input Volt. (V) : Input Curr. (A)	120 : 22.1 120/240 : N/A 277 : 9.8 120/208 : N/A	120 : 26.7 120/240 : N/A 277 : 11.9 120/208 : N/A	120 : 39.4 120/240 : 19.1 277 : 17.1 120/208 : 22.1	120 : 45.0 120/240 : 21.8 277 : 19.5 120/208 : 25.2	120 : 47.0 120/240 : 23.5 277 : 20.3 120/208 : 27.0
Output Volt. : Output Current*	120 : 12.5 120/240 : N/A 277 : 5.4 120/208 : N/A 120/277 : 12.5/5.4	120 : 18.3 120/240 : N/A 277 : 7.9 120/208 : N/A 120/277 : 18.3/7.9	120 : 25.0 120/240 : 25/12.5 277 : 10.8 120/208 : 25/14.4 120/277 : 25/10.8	120 : 29.2 120/240 : 29.2/14.6 277 : 12.6 120/208 : 29.2/16.8 120/277 : 29.2/12.6	120 : 35.0 120/240 : 35/17.5 277 : 15.2 120/208 : 35/20.2 120/277 : 35/15.2
OCB Pole Spaces Available					
Without Trip Alarm	20	20	20	20	20
With Trip Alarm	10	10	10	10	10
Heat Rejection (btu/hr)	716	1050	1432	1670	2005
Weight (lbs)					
Electronics	650	650	640	640	840
90 Min Battery	445	445	610	610	760
20 Min Battery	90	195	330	330	350
10 Min Battery	60	90	195	195	230

* Multi-voltage total loads not to exceed system rating.

System One-Line Diagram



Philips Lightolier
 e: lol.webmaster@philips.com
 t: (508) 679-8131
 w: www.lightolier.com

LOT Series - 1.5-4.2 September 7, 2011

Specifications are subject to change without notice.
 © Koninklijke Philips Electronics N.V., 2011. All rights reserved.

Job Information Type: