

LM Series

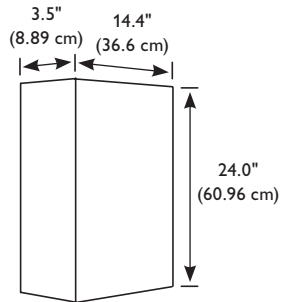
150 VA INTERRUPTIBLE POWER SUPPLY

Page 1 of 2

LM1SM



LM1CM



Overall Characteristics

Features: 80% throughput efficiency. Operating temperature range of 32°F (0°C) to 104°F (40°C); 95°F (35°C) for batteries. 50 ms maximum transfer time. Standard 90 minutes of operating time. Permissible relative humidity for service 0 - 95%.

Application: Operates incandescent and fluorescent electronic ballast loads. Not recommended for HID lighting loads. Operates luminaires on a designated emergency circuit at full illumination during power outage, from a remote location.

Housing: NEMA 1 enclosure, galvanized cabinet with a white powder coat finished door. Mounting options include: surface wall mount and ceiling plenum mount. Multiple conduit entries available.

Battery: Maintenance free, sealed nickel cadmium battery with an expected life up to 10 years, and optimum operating range of 65°F (19°C) to 85°F (30°C).

Inverter: Square wave output. Completely solid-state PWM inverter. Output voltage regulation is $\pm 10\%$ of nominal at full load during emergency operation. Frequency is 60.0 ± 1 Hz. Inverter efficiency is $> 70\%$. Load power factor capability is 0.6 lagging to unity. Brownout protection is 75% of nominal line voltage. Low voltage disconnect (LVD).

Charger: Constant current charge regime. Recharge time is 24 hours. Self-contained charger module. Efficiency is 90% minimum.

Indicators/Controls: Local status panel indicators. Remote status panel (ceiling mount only). Optional light switch override capability. Fused AC output. Automatic battery monitor with alarm.

Code Compliance

ETL listed to UL 924.

Warranty

Two years full electronics warranty. Five years full, five years pro-rata battery warranty.

Job Information Type:

Job Name:

Cat. No.:

Notes:

PHILIPS

LIGHTOLIER

LM Series

150 VA INTERRUPTIBLE POWER SUPPLY

Ordering Information

LM96000

Series

Input/Output Voltage

Mounting Configuration

LM96000 = Interruptible Power Supply for Emergency Lighting Applications

- 1 = 120 V/120 V Without Light Switch Option
- 2 = 120 V/120 V With Light Switch Option
- 3 = 277 V/277 V Without Light Switch Option
- 4 = 277 V/277 V With Light Switch Option
- 5 = 120 V/12 V Without Light Switch Option
- 6 = 120 V/12 V With Light Switch Option
- 7 = 277 V/12 V Without Light Switch Option
- 8 = 277 V/12 V With Light Switch Option

- CM** = Ceiling Plenum Installation*
- SM** = Surface Wall Mount

Note
* (1) MICKIT and (1) MIRDIS accessories included

Accessories (order as a separate item)

- MIRDIS** = Remote Display Assembly For System Status Monitoring Up To 20 Feet Away From LM
- MICKIT** = 20 Foot Cable Kit For Connection of Remote Display Assembly

System Input/Output Ratings

MODEL	CAPACITY	Input (select one)		Output (select one)
		AC INPUT VOLTAGES	INPUT AMPS ¹	AVAILABLE OUTPUT VOLTAGES/MAX LOAD AMPS
LM	150 VA	120	1.60	1.25 A (120 V)
		277	0.89	0.54 A (277 V)
				12.5 A (12 V)

Note

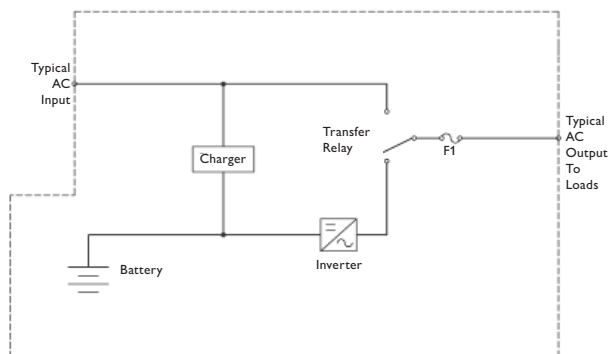
1) Maximum input current.

FLUORESCENT LAMP CAPACITY	42 W	26 W	14 W
QUANTITY (FULL LUMEN)	3	5	10

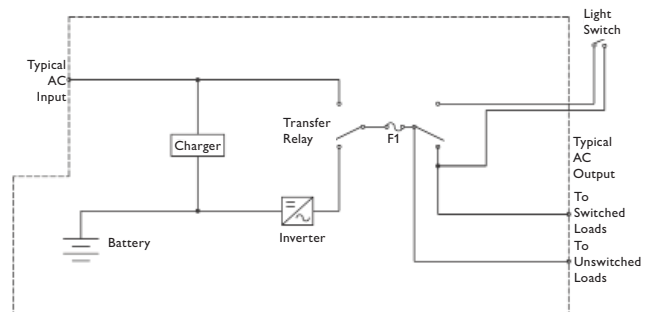
	150 VA
TOTAL UNIT WITH BATTERY	50 lbs (22.7 kg)

System One-Line Diagram

Typical Unit



Typical Unit with Light Switch



Philips Lightolier
e: lol.webmaster@philips.com
t: (508) 679-8131
w: www.lightolier.com

LM Series September 22, 2011

Specifications are subject to change without notice.
© Koninklijke Philips Electronics N.V., 2011. All rights reserved.

Job Information Type: