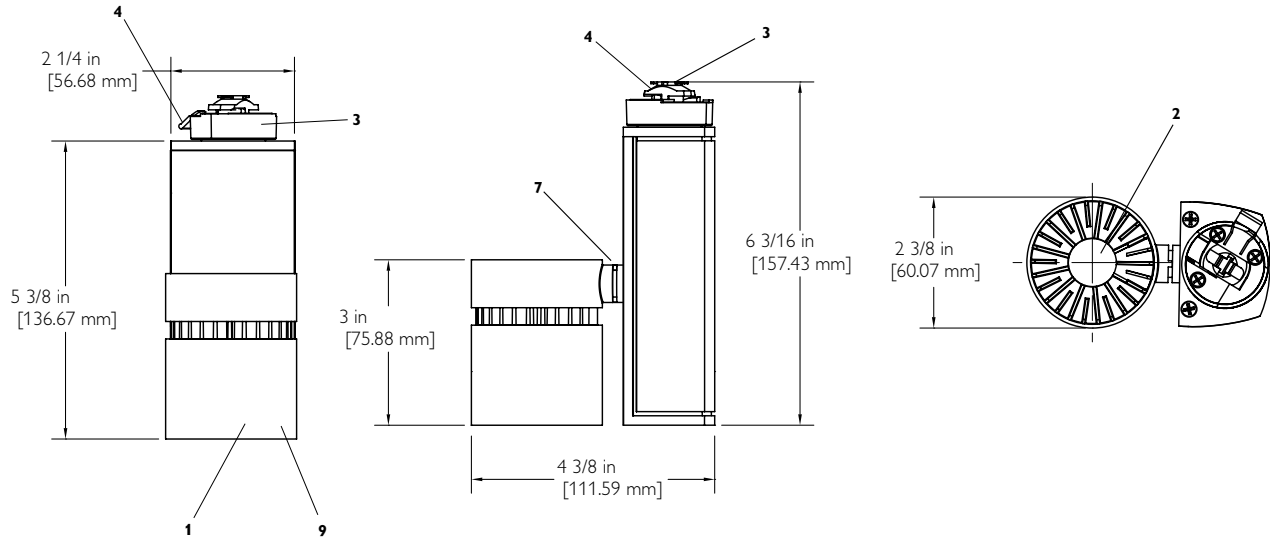


Lytespan Mini LED Micro Cylinder



Features

- LED board:** metal core board. 4 tightly packed high brightness white led's.
- Integrated housing heat sink:** die-cast aluminum maintains LED junction temperature for minimum 50,000 hr lifetime at 70% lumen maintenance.
- Track Attachment Fitting:** Molded polycarbonate. Integral color in gray, black or white. Rotates into track and locks into place with the use of push tabs.
- Push Tab:** Molded polycarbonate. Locks and detaches unit.
- Track Adaptor Housing:** Die-cast aluminum.
- Movable Brass Contact:** Brass extends for connection to second circuit (Advent track only).
- Pivot Mounts:** Allows for 350° horizontal and 320° vertical rotation.
- Driver Housing:** Extruded housing with die-cast aluminum covers.
- Interchangeable optics:** sold separately.

Finish

All painted finishes: Baked enamel.

Labels

CULus Listed, for dry locations only.

Ordering Information

Cat. No.	Finish	CCT	CRI
LLAV0030AL	Aluminum	3000K	85
LLAV0030BK	Black		
LLAV0030WH	White		
LLAV0027AL	Aluminum	2700K	83
LLAV0027BK	Black		
LLAV0027WH	White		

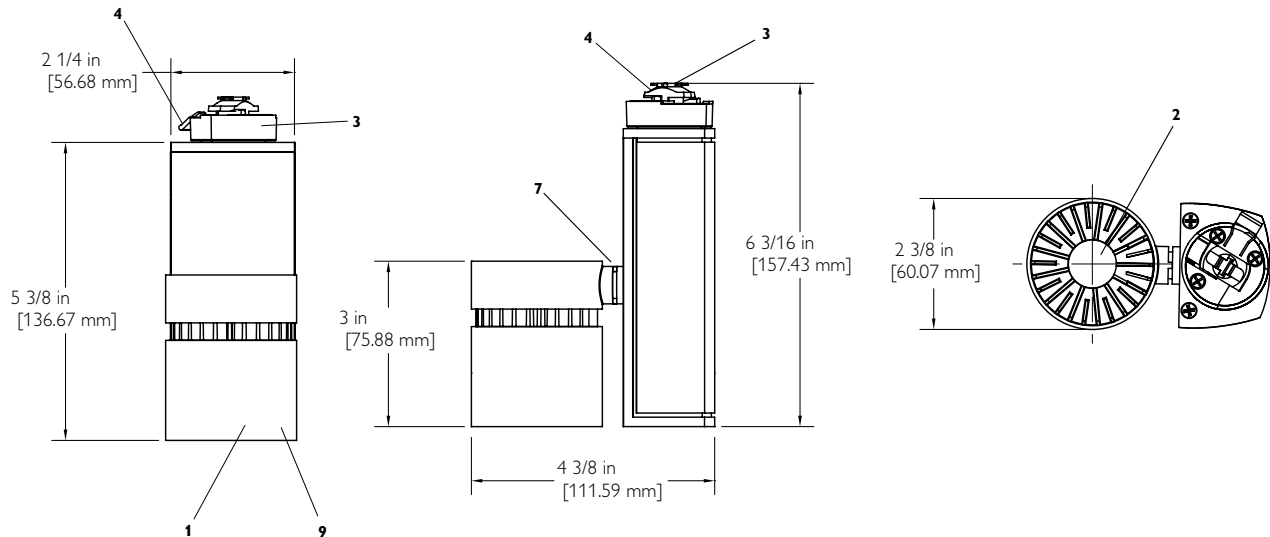
Job Information Type:

Job Name:

Cat. No.:

Notes:

Lytespan Mini LED Micro Cylinder



Accessories

Accessory Holder

(When using two accessories must use holder)

LLA0V00AHBK Accessory Holder Black

Snoot

22SR6WH Snoot 2" dia. white

22SR6BK Snoot 2" dia. black

22SR6AL Snoot 2" dia. aluminum

Louver

AL2HC 2" Diam Hex Cell Louver

Diffusion or Color Filters

AF2, ADF2 Series

Mounting

All Monopoint, Multipoint, recessed track, suspension track, suspension stems, sloped ceiling adapter, Basic, Advent and Radius Track systems only. Ceiling and horizontal or vertical wall mounted. Not compatible with ProSpec track system.

Finish

All painted finishes are baked enamel.

Reflector Options (Sold Separately)

Ordered Separately. Field Changeable

LLAV00RS Mini LED Micro Cylinder Spot Ref

LLAV00RNF Mini LED Micro Cylinder, Narrow Flood Ref

LLAV00RF Mini LED Micro Cylinder Flood Ref

LLAV00RSSOL Mini LED Micro Cylinder, Spot Ref w/Solite

LLV00RNF SOL Mini LED Micro Cylinder Narrow Flood Ref w/Solite

LLAV00RF SOL Mini LED Micro Cylinder, Flood Ref w/Solite

Electrical

Electronic power supply input voltage: 120V, 60 Hz

Input power: 10W Efficacy: Approximately 44.8 LM/W

High power factor >0.9 ELV dimming available

Dimming

Lightolier Controls: ZP425QE

Lutron Skylark: SELV-300P-WH

Leviton Decora: IPE04-ILX

Labels

cULus listed. 5 year warranty,

Job Information	Type:
------------------------	--------------

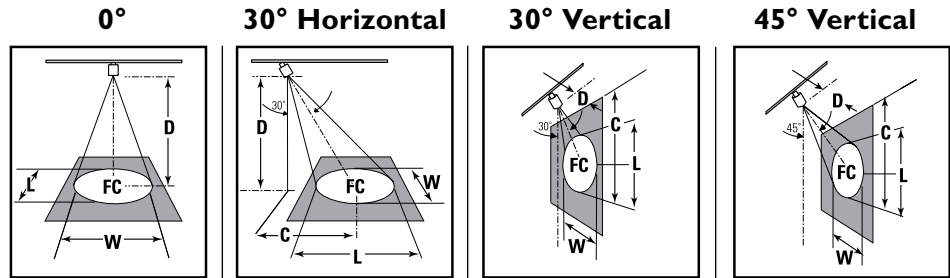
Lytespan Mini LED Micro Cylinder

Aiming Angle:

L Beam length **D** Distance
W Beam Width **A** Aiming Angle
C Distance to center beam **FC** Footcandles

L and **W** are the outer points where the candle power drops to 50% of the maximum. **FC** are the initial footcandles at the center of the beam. Data shown is for 3000K, for 2700K multiply FC by 0.91.

CBCP = Center Beam Candle Power.



	Beam Spread (To 50% CBCP)	CBCP	Rated Life (Hrs.)	0°					30° Horizontal					30° Vertical					45° Vertical				
				D	FC	L	W	D	C	FC	L	W	D	C	FC	L	W	D	C	FC	L	W	
LLAV0030 w/Clear Lens 20° Spot		1883		6	52	2.4'	2.4'	5	2.9'	49	2.8'	2.3'	2	3.5'	59	3.7'	1.6'	2	2.0'	166	1.7'	1.2'	
				7	38	2.8'	2.8'	6	3.5'	34	3.3'	2.8'	3	5.2'	26	5.6'	2.4'	3	3.0'	74	2.5'	1.7'	
				8	29	3.3'	3.3'	7	4.0'	25	3.9'	3.3'	4	6.9'	15	7.4'	3.3'	4	4.0'	42	3.4'	2.3'	
				9	23	3.7'	3.7'	8	4.6	19	4.4'	3.8	5	8.7	9	9.3	4.1	5	5.0	27	4.2	2.9	
LLAV0030 w/Clear Lens 26° Narrow Flood		1592		5	64	2.3'	2.3'	5	2.9'	41'	3.1'	2.7'	2	3.5'	50	4.4'	1.8'	2	2.0'	141	2.0'	1.3'	
				6	44	2.8'	2.8'	6	3.5'	29'	3.8'	3.2'	3	5.2'	22	6.6'	2.8'	3	3.0'	63	2.9'	2.0'	
				7	32	3.2'	3.2'	7	4.0'	21'	4.4'	3.7'	4	6.9'	12	8.8'	3.7'	4	4.0'	35	3.9'	2.6'	
				8	25	3.7	3.7	8	4.6	16	5.0	4.3	6	10.4	6	13.2	5.5	6	6.0	16	5.9	3.9	
LLAV0030 w/Clear Lens 37° Flood		933		5	37	3.2'	3.2'	5	2.9'	24'	4.5'	3.8'	1.5	2.6'	52	5.7'	1.9'	2	2.0'	82	2.9'	1.8'	
				6	26	3.9'	3.9'	6	3.5'	17'	5.4'	4.5'	2	3.5'	29	7.6'	2.6'	3	3.0'	37	4.4'	2.8'	
				7	19	4.5'	4.5'	7	4.0'	12'	6.3'	5.3'	3	5.2'	13	11.4'	3.9'	4	4.0'	21	5.8'	3.7'	
				8	14	5.2'	5.2'	8	4.6'	9'	7.2'	6.0'	4	6.9'	7	15.2'	5.2'	6	6.0'	9	8.7'	5.5'	
LLAV0030 w/Solite Lens 26° Spot		1398		6	39	2.8'	2.8'	5'	2.9'	36	3.1'	2.7'	2'	3.5'	44	4.4'	1.8'	2'	2.0'	124'	2.0'	1.3'	
				7	29	3.2'	3.2'	6'	3.5'	25	3.8'	3.2'	3'	5.2'	19	6.6'	2.8'	3'	3.0'	55'	2.9'	2.0'	
				8	22	3.7'	3.7'	7'	4.0'	19	4.4'	3.7'	4'	6.9'	11	8.8'	3.7'	4'	4.0'	31'	3.9'	2.6'	
				9	17	4.2'	4.2'	8'	4.6'	14	5.0	4.3	5'	8.7	7	11.0	4.6'	5'	5.0'	20'	4.9'	3.3'	
LLAV0030 w/Solite Lens 28° Narrow Flood		1354		5	54	2.5"	2.5"	5'	2.9'	35	3.4'	2.9'	2'	3.5'	42	4.9'	2.0'	2'	2.0'	124	2.1'	1.4'	
				6	38	3.0	3.0'	6'	3.5'	24	4.1'	3.5'	3'	5.2'	19	7.4'	3.0'	3'	3.0'	55	3.2'	2.1'	
				7	28	3.5'	3.5'	7'	4.0'	18	4.8'	4.0'	4'	6.9'	11	9.8'	4.0'	4'	4.0'	31	4.3'	2.8'	
				8	21	4.0'	4.0'	8'	4.6	14	5.4'	4.6'	6'	10.4'	5	14.7'	6.0'	6'	6.0'	20	6.4'	4.2'	
LLAV0030 w/Solite Lens 36° Flood		919		5	37	3.2'	3.2'	5	2.9'	24	4.5'	3.8'	1.5	2.6'	51	5.7'	1.9'	2	2.0'	81	2.9'	1.9'	
				6	26	3.9'	3.9'	6	3.5'	17	5.4'	4.5'	2	3.5'	29	7.6'	2.6'	3	3.0'	36	4.4'	2.8'	
				7	19	4.5'	4.5'	7	4.0'	12	6.3'	5.3'	3	5.2'	13	11.4'	3.9'	4	4.0'	20	5.8'	3.8'	
				8	14	5.2'	5.2'	8	4.6'	9	7.2'	6.0'	4	6.9'	7	15.2'	5.2'	6	6.0'	9	8.7'	5.7'	



Philips Lightolier
 e: lol.webmaster@philips.com
 t: (508) 679-8131
 w: www.lightolier.com

LLAV00 May 26, 2011

Specifications are subject to change without notice.
 © Koninklijke Philips Electronics N.V., 2010. All rights reserved.

Job Information Type: