

Catalog No.	Finish	Specifications	Mounting
LLACTWWH	White	120V - 60Hz	Lytespan Radius, Basic or Advent Track. Not compatible with monopoints, multipoints, extension wands or sloped ceiling adapters. Not for use with ProSpec Track.
LLACTWBK	Black		
LLACTWAL	Aluminum		

Features

- Lytespan Attachment Fitting:** Molded polycarbonate. Integral color. Fitter twists into the track. May rotate up to 180° for alignment with track bead.
- Movable Contact:** Solid brass. Extends for connection to 2nd circuit when using Advent track.
- Ground Contact:** Solid brass
- Polarity keyway**
- Locking Lever:** Steel. Provides secure mechanical attachment of unit to track.
- Pivot Mounting:** Die-cast aluminum
- Power Control Module:** Extruded aluminum. High power factor power supply unit. Thermally protected, Class 2, short circuit protection. Solid state controller and driver. Providing power and data to accurately control LED array. Thermally protected.
- Synchronizer:** Printed circuit board (PCB) mounted. Synchronizes two or more luminaires when used with dynamic light shows without the need of data cables.
- 4-Button Controller:** 4 button interface allows selection of light show and variation of the light intensity. Molded polycarbonate. Digital.
- DMX Connector:** Two RJ45e jacks mounted on printed circuit board (PCB), for DMX connection and an exit for daisy chain mounting. Uses standard CAT5 round 8 conductor stranded twisted pair shielded network cables.
- Pivot w/Lock:** Die-cast aluminum. Adjusts the aiming angle up to 120° with a locking screw, using a 3/16 Allen key tool.
- LED Optic Housing:** Extruded aluminum. Integral heat sink and color mixing chamber.
- LED Array:** 48 High-power linear lighting emission diodes (LED) red, green, blue and amber (RGBA). Thermally protected with color sensor for accurate color adjustment for life.

Features (continued)

- LED Optics:** Asymmetrical MicroBlend technology ensures smooth washing and color uniformity and minimizes undesirable color fringing.
- Lens:** Tempered glass, fine prisms provide additional mixing at the aperture and minimizes the appearance of the individual RGBA sources.

Dimming

Not compatible w/dimmers.

Finish

All painted finishes are baked powder or enamel.

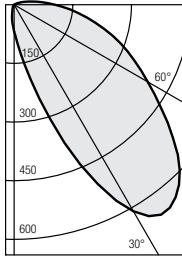
Labels

cULus, Certified for dry locations only.

Job Information	Type:
Job Name:	
Cat. No.:	
Lamp(s):	
Notes:	

631 Airport Road, Fall River, MA 02720 • (508) 679-8131 • Fax (508) 674-4710
 We reserve the right to change details of design, materials and finish.
 www.lightolier.com © 2008 Philips Group • A0708

Lighting Data (All data is based on 3000K color temperature and 45° tilt)

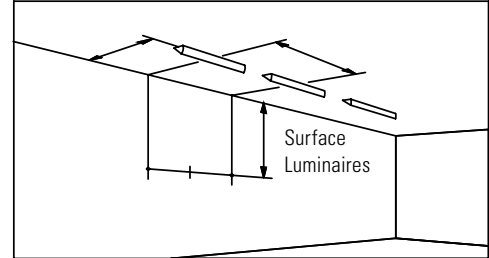


Color Temperature: 3000K

Max. Tilt: 45°

Report No: 22906

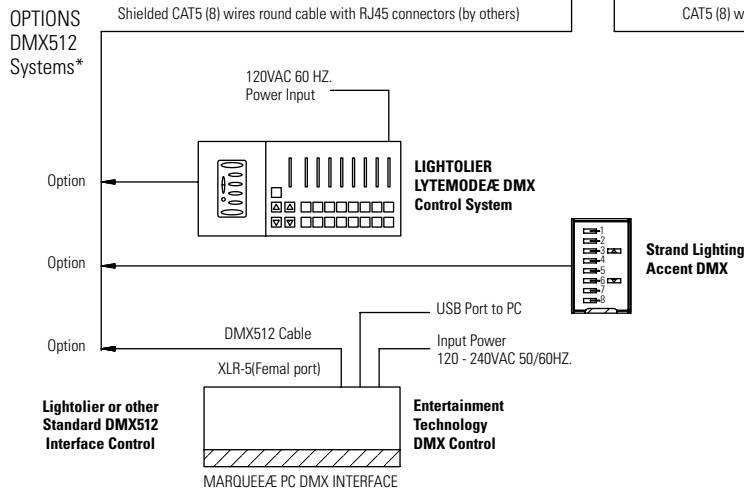
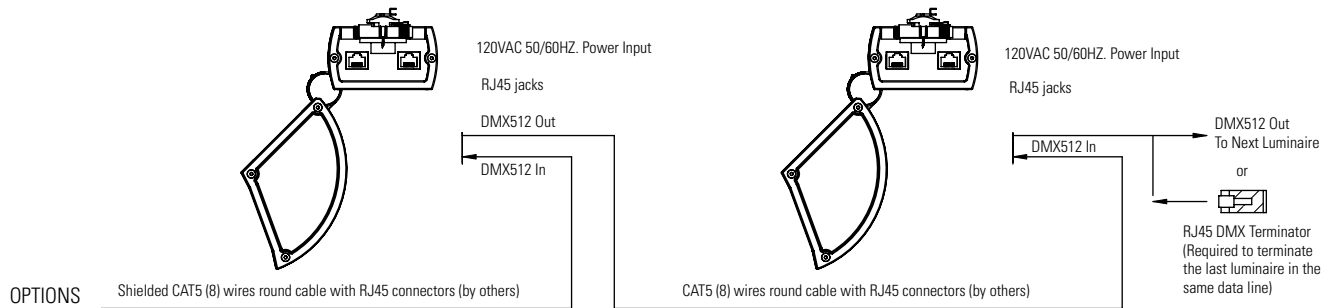
Example: With multiple units located 3' from wall and spaced 4' on center, the illumination on the wall 3' down from ceiling will be 30 f.c. beneath units and 29 f.c. between units. Footcandle values are averaged and rounded off and are based on a minimum of five units.



2' From Wall - Single					2' From Wall - 2' On Center				2' From Wall - 3' On Center				2' From Wall - 4' On Center				
1	1	12	56	12	1	1	84	83	84	1	64	48	64	1	59	25	59
2	2	17	49	17	2	2	87	87	87	2	61	56	61	2	53	34	59
3	2	12	26	12	2	3	57	57	57	3	38	38	38	3	31	26	31
4	2	7	12	7	2	4	31	31	31	4	21	21	21	4	16	15	16
5	1	4	5	4	1	5	18	18	18	5	12	12	12	5	9	9	9
6	1	2	3	2	1	6	11	11	11	6	8	7	8	6	5	5	5
7	1	1	1	1	1	7	8	8	8	7	5	5	5	7	4	4	4
8	1	1	1	1	1	8	6	6	6	8	4	4	4	8	3	3	3
9	0	1	1	1	0	9	4	4	4	9	3	3	3	9	2	2	2

3' From Wall - Single					3' From Wall - 3' On Center				3' From Wall - 4' On Center				3' From Wall - 5' On Center				3' From Wall - 6' On Center				
1	2	10	25	10	2	1	34	32	34	1	28	20	28	1	27	13	27	1	26	8	25
2	3	13	27	13	3	2	41	41	41	2	33	28	33	2	30	19	30	2	28	13	28
3	3	13	23	13	3	3	40	40	40	3	30	29	30	3	26	21	26	3	25	15	25
4	3	10	15	10	3	4	31	31	31	4	23	23	23	4	19	18	19	4	17	13	17
5	3	7	9	7	3	5	22	22	22	5	16	16	16	5	13	13	13	5	11	10	11
6	2	4	5	4	2	6	15	15	15	6	11	11	11	6	9	9	9	6	7	7	7
7	2	3	3	3	2	7	10	10	10	7	7	7	7	7	6	6	6	7	5	5	5
8	1	2	2	2	1	8	7	7	7	8	5	5	5	8	4	4	4	8	3	3	3
9	1	1	1	1	1	9	5	5	5	9	4	4	4	9	3	3	3	9	3	3	3

DMX Network



Accessories
Addressable Interface Kit: Cat. No. **CLEDAIK**
 Load addresses and select operating mode for DMX protocol, load serial numbers and specific lighting preset, update firmware to each LED lighting unit
DMX Terminator: Cat. No. **CLEDDMXTERM**

Compatible DMX controls by Lightolier Controls www.lolcontrols.com

Job Information **Type:**

631 Airport Road, Fall River, MA 02720 • (508) 679-8131 • Fax (508) 674-4710
 We reserve the right to change details of design, materials and finish.
www.lightolier.com © 2008 Philips Group • A0708