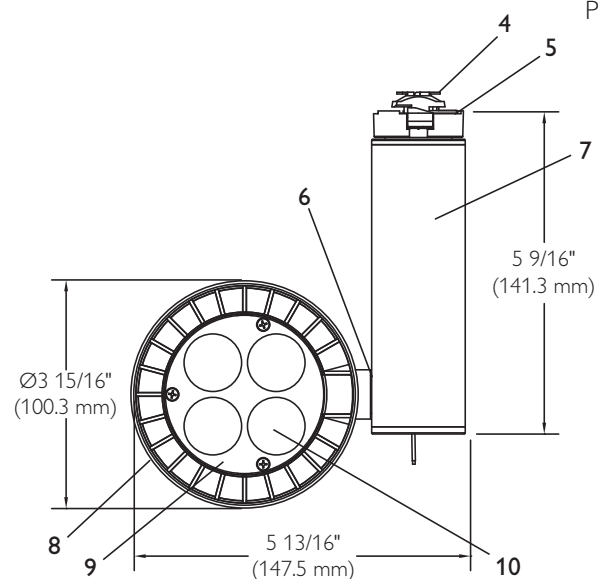
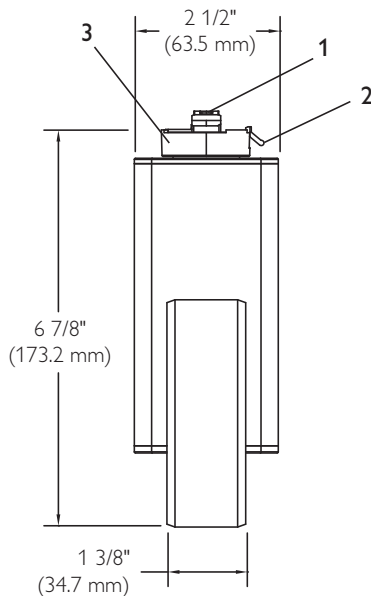


Lytespan Spot LED



Features

- 1. Track attachment fitting:** Molded polycarbonate. Integral color in gray, black or white. Rotates into track and locks into place with the use of push tab.
- 2. Push tab:** Molded polycarbonate. Locks and detaches unit.
- 3. Track adapter housing:** Die cast aluminum. Steel eyelet friction connection. Rotates 350°.
- 4. Movable contact:** Solid Brass. Extends for connection to 2nd circuit in Advent track.
- 5. Ground contact:** Solid Brass.
- 6. Vertical pivot mount:** Stainless steel eyelet friction connection. Rotates +/-90° from vertical aim to floor.
- 7. Driver housing:** Extruded aluminum with die cast aluminum end caps.
- 8. Integrated heat sink:** Die cast aluminum effectively cools leds providing a minimum 50,000 hr lifetime at 70% lumen maintenance.
- 9. Optic assembly:** Efficient TIR (total internal reflection) optically clear thermoplastic lenses held securely by frosted translucent thermoplastic holder. Positive securement into luminaire with screws and accurately positioned on leds with locating pins. Prevents dust and contaminants from entering led compartment.
- 10. Light source:** 4 high brightness white led. 80-85 CRI, LEDs selected for tight color consistency between luminaires single 3 step MacAdam ellipse max.

Accessory holder: LLABSAHBK

Accepts two accessories.

Snoot: 23SN30WH/BK/AL

Louver: AL3HC Series

Diffusion/special filters: AF3 Series

Color filters: ADF3 Series*

*will project colored light on ceiling.

Mounting

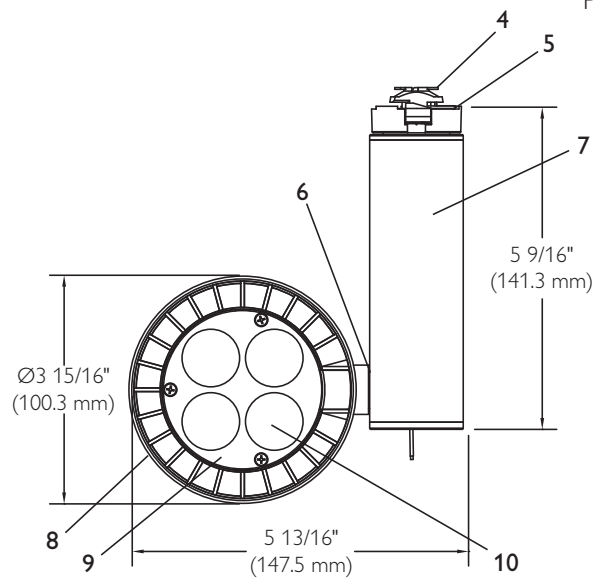
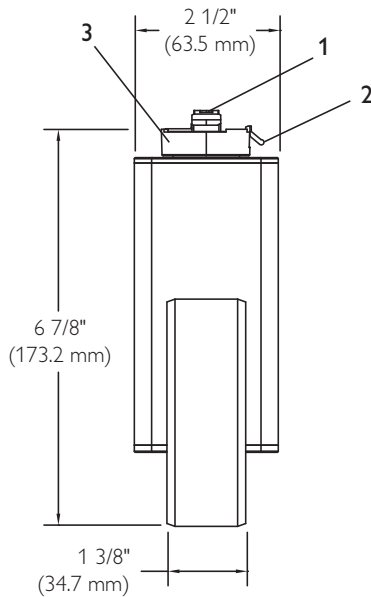
For use with Lytespan Basic, Advent, Radius track, and monopoints. May be used with Lytespan to ProSpec adaptor 26075BK/WH when ProSpec track is preferred.

Finish

Powder coated finish

Job Information	Type:
Job Name:	
Cat. No.:	
Notes:	

Lytespan Spot LED



Ordering information

Cat. No.	Finish	Description	CCT	CRI
LLABS30RSWH	White	Spot	3000K	85
LLABS30RSAL	Aluminum			
LLABS30RSBK	Black			
LLABS30RNFWH	White	Narrow Flood	3000K	85
LLABS30RNFAL	Aluminum			
LLABS30RNFBK	Black			
LLABS30RFWH	White	Flood	3000K	85
LLABS30RFAL	Aluminum			
LLABS30RFBK	Black			
LLABS27RSWH	White	Spot	2700K	85
LLABS27RSAL	Aluminum			
LLABS27RSBK	Black			
LLABS27RNFWH	White	Narrow Flood	2700K	85
LLABS27RNFAL	Aluminum			
LLABS27RNFBK	Black			
LLABS27RFWH	White	Flood	2700K	85
LLABS27RFAL	Aluminum			
LLABS27RFBK	Black			

Electrical

Input voltage: 120V 50/60Hz

Lumen maintenance: >70% of initial lumens @ 50,000hrs.

Photometric performance: Tested in accordance to LM79

Nominal input power: 10W

Power factor: >.9

Beam Spread (3000K)	Lumens	CBCP	Input Power (W)
Spot 10°	604	15.452	9.87
Narrow Flood 22°	566	2.636	9.87
Flood 35°	543	1267	9.87

Dimming: ELV

Lightolier Controls: ZP425QE

Lutron Skylark: SELV-300P-WH

Leviton Illuma TECH: IPE04-1LX

Refer to LED-DIM spec sheet for more details.

Labels

cULus listed.

Warranty: 5 years

Job Information	Type:
------------------------	--------------

PHILIPS

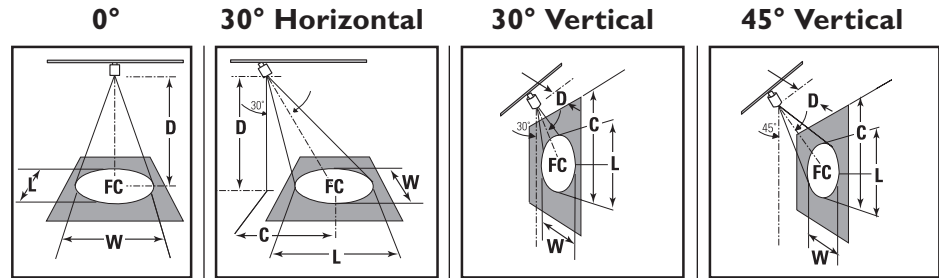
LIGHTOLIER




Aiming angle

L Beam length **D** Distance
W Beam Width **A** Aiming Angle
C Distance to center beam **FC** Footcandles

L and **W** are the outer points where the candle power drops to 50% of the maximum. **FC** are the initial footcandles at the center of the beam. Data shown is for 3000K, for 2700K multiply FC by 0.91.

CBCP = Center Beam Candle Power.



	Beam Spread (To 50% CBCP)	CBCP	Rated Life (Hrs.)	0°				30° Horizontal				30° Vertical				45° Vertical						
				D	FC	L	W	D	C	FC	L	W	D	C	FC	L	W	D	C	FC	L	W
LLABS30RS		15,452	50,000	10	155	1.7	1.7	10	5.8	100	2.3	2.0	4	6.9	121	2.9	1.4	5	5.0	219	1.8	1.2
				12	107	2.1	2.1	12	6.9	70	2.8	2.4	5	8.7	77	3.6	1.7	6	6.0	152	2.1	1.5
				14	79	2.4	2.4	14	8.1	51	3.3	2.8	6	10.4	54	4.3	2.1	7	7.0	111	2.5	1.7
				16	60	2.8	2.8	16	9.2	39	3.7	3.2	7	12.1	39	5.0	2.4	8	8.0	85	2.8	2.0
LLAB130RNF		2,636	50,000	5	105	1.9	1.9	5	2.9	68	2.6	2.2	2	3.5	82	3.5	1.6	2	3.0	104	2.4	2.4
				6	73	2.3	2.3	6	3.5	48	3.1	2.7	3	5.2	37	5.3	2.3	3	4.0	58	3.2	3.2
				7	54	2.7	2.7	7	4.0	35	3.7	3.1	4	6.9	21	7.0	3.1	4	5.0	37	4.0	4.0
				8	41	3.1	3.1	8	4.6	27	4.2	3.6	6	8.7	13	8.8	3.9	6	6.0	26	4.8	4.8
LAB130RF		1,267	50,000	5	51	3.2	3.2	5	2.9	33	4.3	3.6	2	3.5	40	7.2	2.5	2	3.0	50	4.2	2.7
				6	35	3.8	3.8	6	3.5	23	5.2	4.4	3	5.2	18	10.8	3.8	3	4.0	28	5.6	3.6
				7	26	4.4	4.4	7	4.0	17	6.1	5.1	4	6.9	10	14.4	5.0	4	5.0	18	7.0	4.5
				8	20	5.0	5.0	8	4.6	13	7.0	5.8	6	8.7	6	18.0	6.3	6	6.0	12	8.4	5.4



Philips Lightolier
 e: lol.webmaster@philips.com
 t: (508) 679-8131
 w: www.lightolier.com

LLABS March 20, 2012

Specifications are subject to change without notice.
 © Koninklijke Philips Electronics N.V., 2010. All rights reserved.

Job Information **Type:**