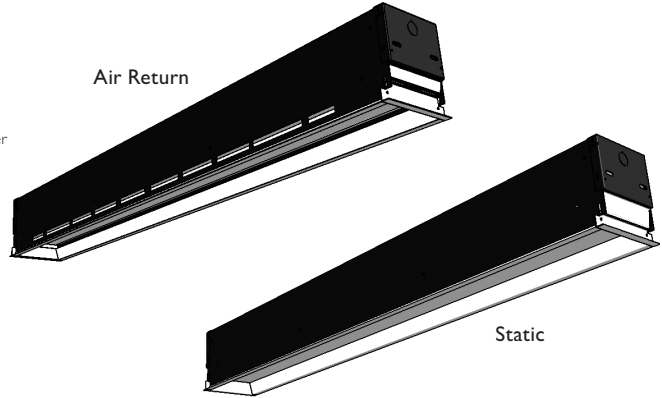
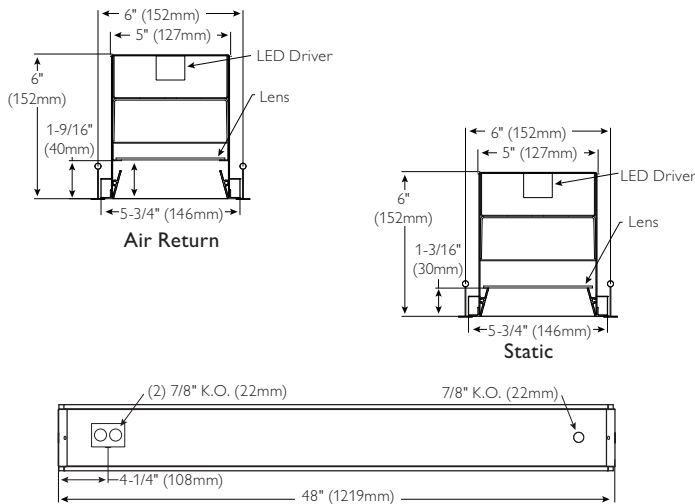


Lytecel 6 Lens

Linear Recessed Luminaire, LED



Ordering Information

Lytecel 6	Body Style	Fixture Size	Ceiling Type	Lens Style	Lumen Category	Color Temp	Voltage	Driver Type	Options
LI Linear Recessed	A = Air Return S = Static	64 = 6" X 48" (Nominal size)	G = 9/16" or 15/16" Grid T = Slot Grid D = 9/16" Tegalur Grid	PN = .08 White Acrylic	20A = 2000 lumens 25A = 2500 lumens 28A = 2800 lumens 31A = 3100 lumens (Approximate delivered values. Consult IES file)	40 = 4000K Consult representative for other color temperature options. (Approximate values. Consult IES file)	U = Universal 120-277v	LAG = LED Driver	Add appropriate suffix to catalog no., i.e.: (C)

Features

- Non-visible return air openings.
- Air return lens regressed 1-9/16", static regressed 1-3/16".
- Air return models meet UL 1598, Paragraph 9.2.2.5 requirements.
- Extruded aluminum fixture trim flat white polyester powder coated.
- Extruded .080 white opalescent acrylic lens.
- Only 6" deep body.
- Can provide 42 initial footcandles at 0.66 watts per square foot.
- Delivers 2864 lumens with just 44.9 input watts.
- Field replaceable LED array and drivers accessible from below.
- Integrated thermal management system conducts heat away from LEDs and transfers it to the surrounding environment.
- High efficiency LEDs have 50,000 hour rated life at L₇₀.
- Predicted L70 lifetime is based on LED manufacturer's supplied LM-80 data and in-situ laboratory testing.
- 20 gauge steel housing.

- UL-Listed twin knockout access plate.
- 2 hold-down clips standard.
- Meets NYC Code requirements.
- Compatible with Armstrong TECHZONE ceiling systems.
- Five-year warranty on luminaire, LED boards and driver.

Job Information	Type:
Job Name:	
Cat. No.:	
Notes:	

PHILIPS
LIGHTOLIER

Lytecel 6 Lens

Linear Recessed Luminaire, LED

Page 2 of 3

Specifications

Materials: Chassis Parts—20 gauge cold rolled steel.

Finish: Chassis exterior—black baked polyester enamel.

Air Handling- Side air slots for air return.

Electrical: LED boards and drivers are RoHS (Restriction of Hazardous Substances) compliant.

Labels: I.B.E.W. UL and ULc Listed.

Options & Accessories

Access Plate: Top Wiring access plate is shipped with fixture as standard. When access plates are required in advance for wiring convenience, specify separately.

Order Catalog Number: **ACP5 CSP**.

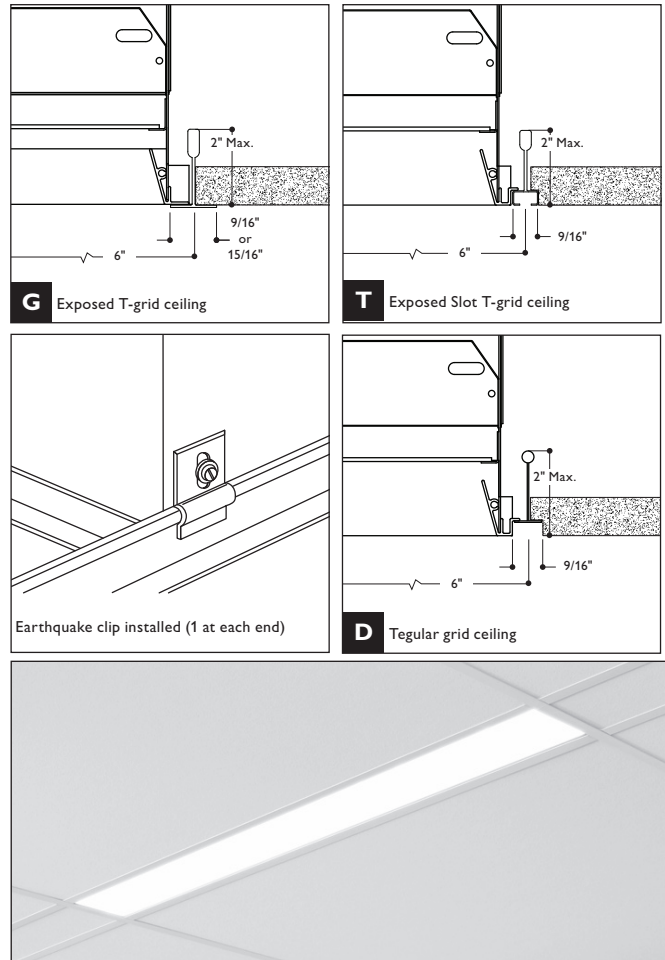
Electrical/Wiring Options: Consult factory.

EM Pack or Dimming: Consult factory.

Fusing: Internal fast-blow fusing. Suffix: **A**.
Internal slow-blow fusing. Suffix: **C**.

Chicago Plenum: Suffix: **C**.

Mounting Options



Shown installed in an Armstrong TECHZONE ceiling.

Job Information Type:

PHILIPS
LIGHTOLIER

Lytecel 6 Lens

Linear Recessed Luminaire, LED

Photometry

Report Number¹: G2011131
 Catalog Number: LIA64GPN28A40ULAG
 Delivered Lumens: 2864
 Correlated Color Temp.²: 3930K
 Input Watts: 44.9
 Efficacy: 63.8 lm/w
 CRI: 84.9
 Lamp: LED
 Luminaire: Lytecel 6 recessed LED with PN lens.
 CIE Type: Direct/Indirect
 Plane: 0-Deg. 90-Deg.
 Shielding Angles: 90 90
 Plane: 0-Deg. 90-Deg.
 Luminous Length: 46.680 4.680

Candela Distribution

Vertical Angle	Horizontal Angle		Zonal Lumens
	0	45 90	
0	1223	1223 1223	
5	1204	1214 1222	115
15	1153	1142 1133	323
25	1060	1012 972	468
35	931	837 813	537
45	777	671 629	529
55	599	482 416	437
65	403	277 210	286
75	201	96 97	133
85	37	32 30	36
90	4	9 10	

¹ Tested using absolute photometry as specified in LM79: IESNA Approved Method for the Electrical and Photometric Measurements of Solid-State Lighting Products.
² Correlated Color Temperature within specs as defined in ANSI_NEMA_ANSLG C78.377-2008: Specifications for the Chromaticity of Solid State Lighting Products.

Coefficients of Utilization

Ceiling	80%			50%			30%			
	70	50	30	50	30	10	50	30	10	
RC	Zonal Cavity Method									
RW	Effective Floor Reflectance = 20%									
Room Cavity Ratio	1	110	105	101	99	96	93	95	93	90
2	100	93	86	87	83	78	84	80	77	
3	92	82	74	78	72	67	75	70	65	
4	85	73	65	70	63	57	67	61	57	
5	78	66	57	63	56	50	61	54	50	
6	72	60	51	57	50	44	55	49	44	
7	67	54	46	52	45	39	50	44	39	
8	63	50	41	48	40	35	46	40	35	
9	59	46	38	44	37	32	43	36	32	
10	55	42	35	41	34	29	40	34	29	

Zonal Lumen Summary*

Zone	Lumens	% Lamp	% Fixt.
0-30	906	31.6	31.6
0-40	1443	50.4	50.4
0-60	2409	84.1	84.1
0-90	2864	100.0	100.0
0-180	2864	100.0	100.0

*Total Efficiency

Average Luminance data in candela / sq. meter

Angle	0°	45°	90°
45	7794.	6730.	6309.
55	7407.	5960.	5144.
65	6763.	4649.	3524.
75	5508.	2631.	2658.
85	3011.	2604.	2441.

Additional Ordering Information

Catalog Number	Delivered Lumens	Input Watts	Lumens per Watt	Average initial 8'X8'6" footcandles	8'X8'6" Watts per sq. foot	Average initial 8'X10'6" footcandles	8'X10'6" Watts per sq. foot
LIA64GPN20A40ULAG	2011	30.0	67.0	30	0.44	24	0.36
LIA64GPN25A40ULAG	2500	38.4	65.1	37	0.56	30	0.46
LIA64GPN28A40ULAG	2864	44.9	63.8	42	0.66	34	0.53
LIA64GPN31A40ULAG	3174	50.8	62.5	47	0.75	38	0.60



Philips Lightolier
 e: lol.webmaster@philips.com
 t: (508) 679-8131, Technical info. (978) 657-7600
 w: www.lightolier.com

LIA64GPN March 7, 2012

Specifications are subject to change without notice.
 © Koninklijke Philips Electronics N.V., 2012. All rights reserved.

Job Information Type: