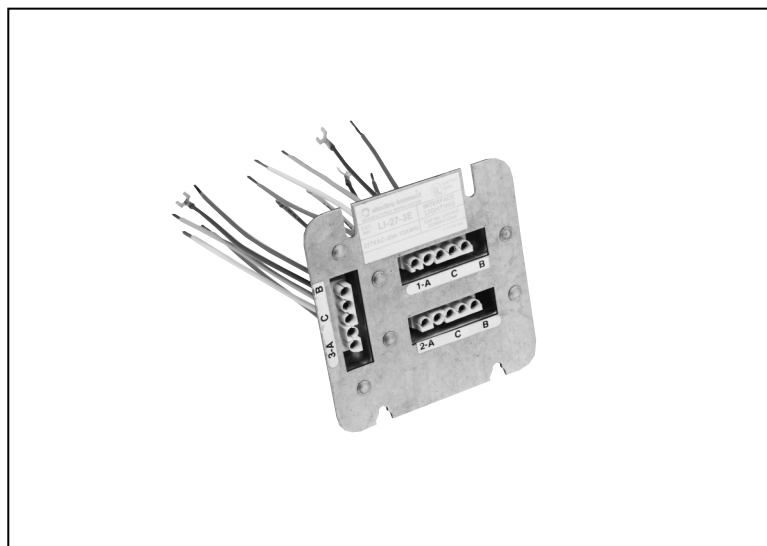
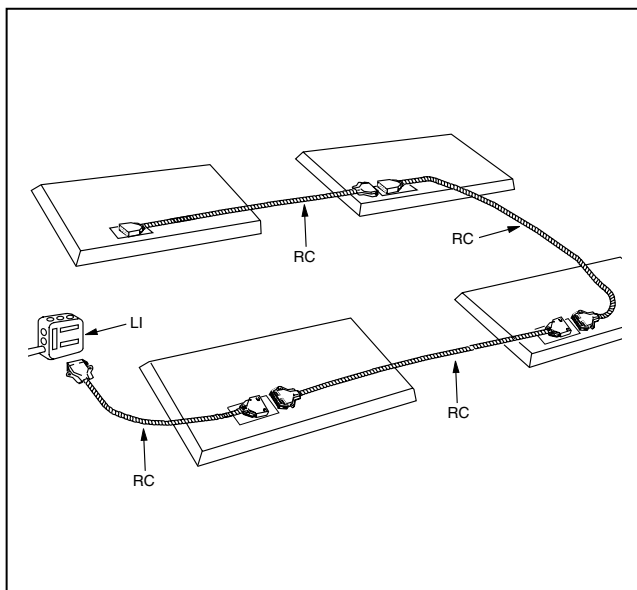


## FEATURES

- Keyhole slots for direct mounting to a 4 11/16" square junction box.
- Three 20 amp multi-wire circuit capability per connector.
- Three power-out connectors, flush mounted, prewired with #12 AWG THHN stranded copper wire, 600 volt.
- Interface plate formed from 14 gauge cold rolled steel.
- I.B.E.W. UL and C-UL Labeled.

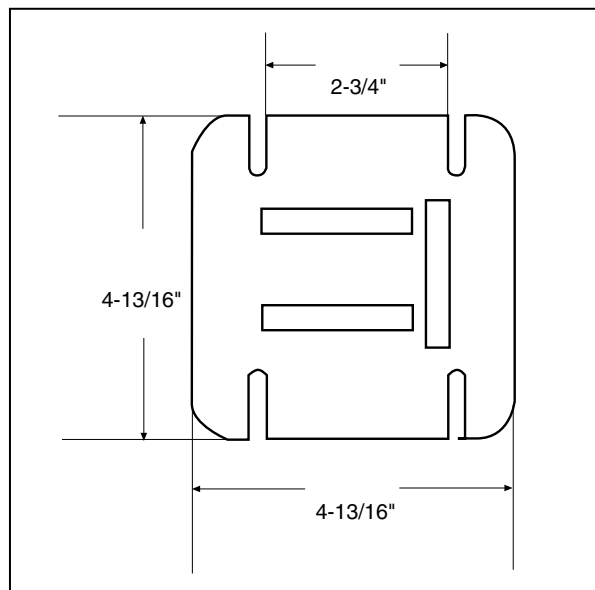


## APPLICATION



Distribution interface is starting point for the Electro/Connect flexible wiring system. Branch circuits are brought to the interface from a lighting panelboard by conventional conduit and wire. The circuits are spliced to the leads of the interface for distribution, as required. The (LI) is mounted to a 4 11/16" square junction box.

## DIMENSIONS



### Job Information

### Type:

**Job Name:**

**Cat. No.:**

**Lamp(s):**

**Volts/Ballast:**

Lightolier a Genlyte Thomas Company

www.lightolier.com

Technical Information: (978) 657-7600 • Fax (978) 658-0595

631 Airport Road, Fall River, MA 02720 • (508) 679-8131 • Fax (508) 674-4710

We reserve the right to change details of design, materials and finish.

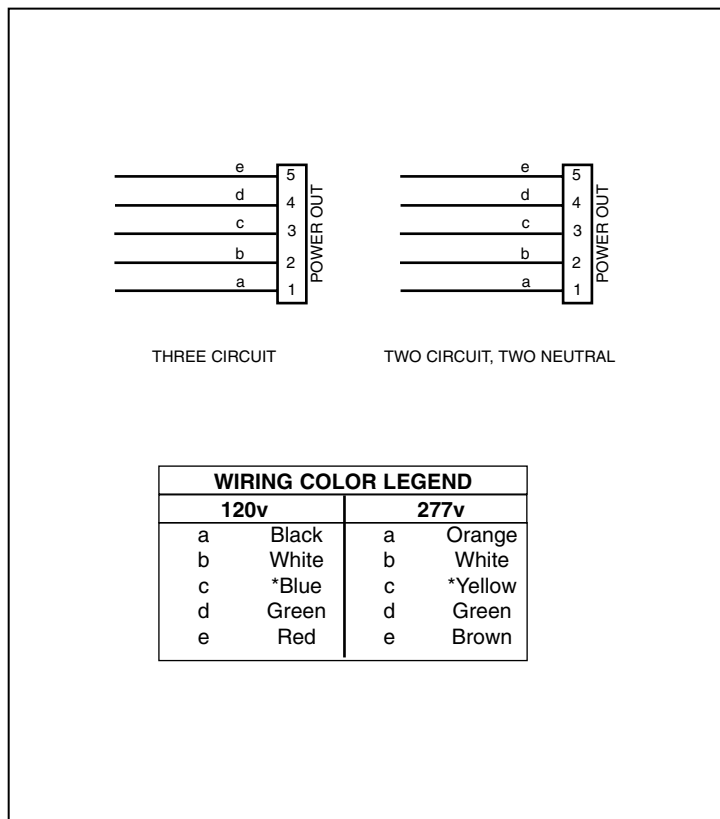
© 2002 Genlyte Thomas Group LLC (Lightolier Division)

A0902

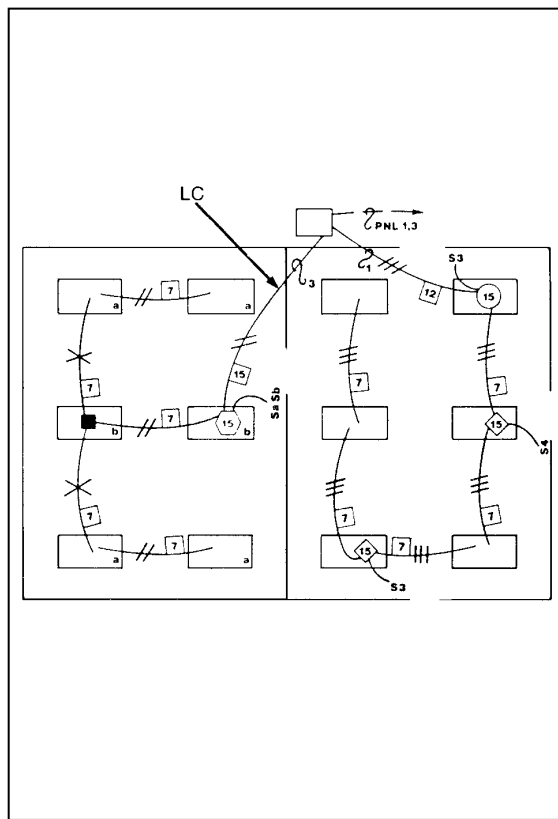
**OPTIONS/ACCESSORIES/Folio OA40-13**

# LIGHTOLIER®

## WIRING DIAGRAM

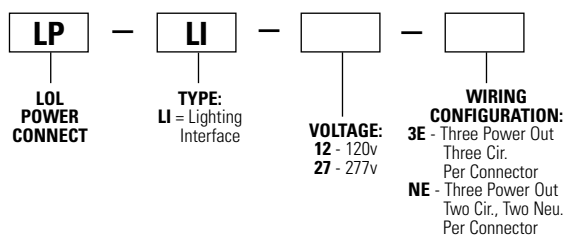


## WIRING



## ORDERING INFORMATION

Explanation of Catalog Number. Example: LP-LI-12-3E



Note: A deep box with extension ring is recommended when using more than three circuits per junction box.

## SPECIFICATIONS

- I.B.E.W. UL and C-UL Listed.
- Three 20 amp multi-wire circuit capability per connector.
- Three power-out connectors, flush mounted, prewired with #12 AWG THHN stranded copper wire, 600 volt.
- Interface plate formed from 14 gauge cold rolled steel.
- Keyhole slots for direct mounting to a 4 11/16" square junction box.

## Job Information

## Type:

**Lightolier** a Genlyte Thomas Company [www.lightolier.com](http://www.lightolier.com)  
 Technical Information: (978) 657-7600 • Fax (978) 658-0595  
 631 Airport Road, Fall River, MA 02720 • (508) 679-8131 • Fax (508) 674-4710  
 We reserve the right to change details of design, materials and finish.  
 © 2002 Genlyte Thomas Group LLC (Lightolier Division)  
 A0902 **OPTIONS/ACCESSORIES/Folio OA40-13**