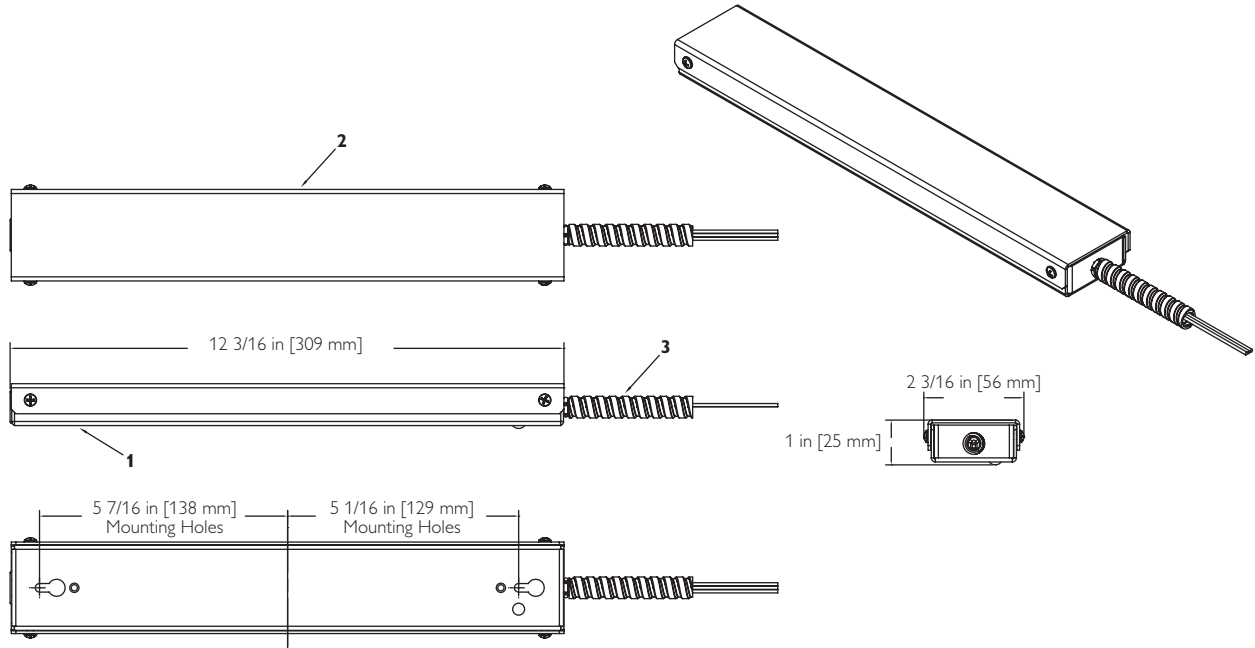


LED-RPS-50

Architectural Decorative, LED remote power supply

Page 1 of 2



Ordering Information

Catalog No.	Finish	Lamp	Wattage	Color Temp	Voltage
LED-RPS-50	Matte black	N/A	50W	N/A	120V
MIC100AL	Aluminum	LED	10W	3300K	120V
MIC100BK	Black	LED	10W	3300K	120V
ADJ100AL	Matte aluminum	LED	18W	3300K	24V DC
ADJ100BK	Matte black	LED	18W	3300K	24V DC
CS101AL	Matte aluminum	LED	4W	3000K	24V DC

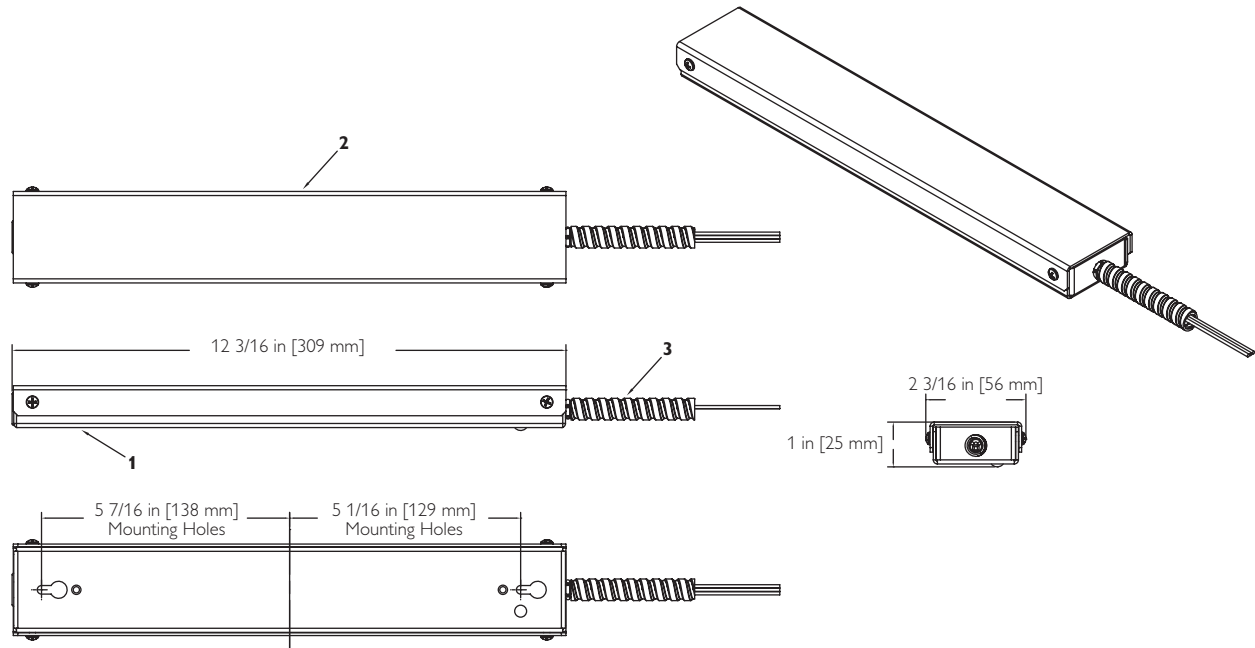
Job Information	Type:
Job Name:	
Cat. No.:	
Notes:	

PHILIPS
LIGHTOLIER

LED-RPS-50

Architectural Decorative, LED remote power supply

Page 2 of 2



Features

- Housing:** 16ga. steel die stamped and formed.
- Housing Cover:** 16ga. steel die stamped and formed.

Electrical

- Metallic Flexible Conduit:** 6', 5/16" conduit with 18ga. black, white and green wire for hard-wiring to a junction box (by others).
- Power Supply:** 24V DC, Class 2 output. Remote mounted, 120V input. Max. connected system load, 50W per power supply.

Electrical (continued)

- Voltage:** 120V
Nom. Input Current (Amps): 0.5A@120V
Power Factor: 0.99
Output Voltage (VDC): 24.0±0.5
Min./Max Output Power (W): 0.9/50
Max. Line Ripple (V): ±0.2

Finish

Black

Labels

cULus Listed. Suitable for Dry Locations



Philips Lightolier
e: lol.webmaster@philips.com
t: (508) 679-8131
w: www.lightolier.com

LED-RPS-50 February 27, 2012

Specifications are subject to change without notice.
© Koninklijke Philips Electronics N.V., 2012. All rights reserved.

Job Information	Type:
------------------------	--------------