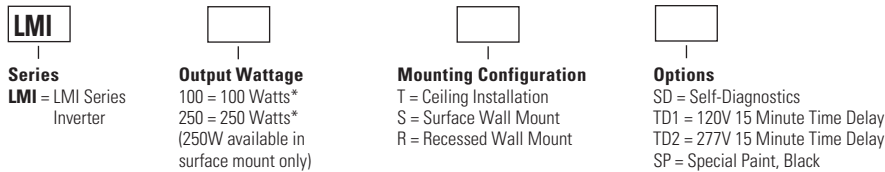


How to Specify:



Notes:
*Connected load must not be less than 40% of rated inverter output.

Overall Characteristics

- Universal 120 or 277 VAC input and output
- Operating temperature range of 68°F (20°C) to 86°F (30°C)
- Fused output connections
- Normally on and/or normally off loads
- Minimum 90 minutes of battery operating time
- 91% nominal lumen output from luminaire
- Connected load must not be less than 40% of rated inverter output.

Application

- Operates Calculite solid-state lighting loads

Housing

- NEMA 1 enclosure
- Heavy duty steel cabinet with a white powder coat finish (optional black)
- Surface, recess and ceiling grid mounting options
- Multiple conduit entries

Battery

Maintenance free, sealed lead calcium battery has an estimated service life of 10 years, and operating temperature range of 68°F (xx°C) to 86°F (xx°C).

Compliance

- UL924 listed
- Meets NFPA 101, NEC, BOCA, OSHA, state and local codes

Warranty

- Electronics: 3 years
- Battery: 1 year full, 4 years pro-rata

Electrical Specifications

Input Power Requirements
100 Watt Models: 120 VAC: 60 Hz, 0.198A, 277 VAC: 69 Hz, 0.080A
250 Watt Models: 120 VAC: 60 Hz, 0.570A, 277 VAC: 69 Hz, 0.268A

Electronics

Inverter

- Square wave output
- Completely solid-state inverter
- Brownout protection is 75% of nominal line voltage
- Low voltage disconnect (LVD)
- DC overload and short circuit protection
- Self-diagnostics (optional)

Inverter

- Variable rate, fully automatic, temperature compensated charger
- 24 hour battery recharge time

Indicators/Controls

- Local status panel
- Momentary test switch
- Normally off load
- Optional remote test switch

Accessories

LIRT = Remote Test Switch

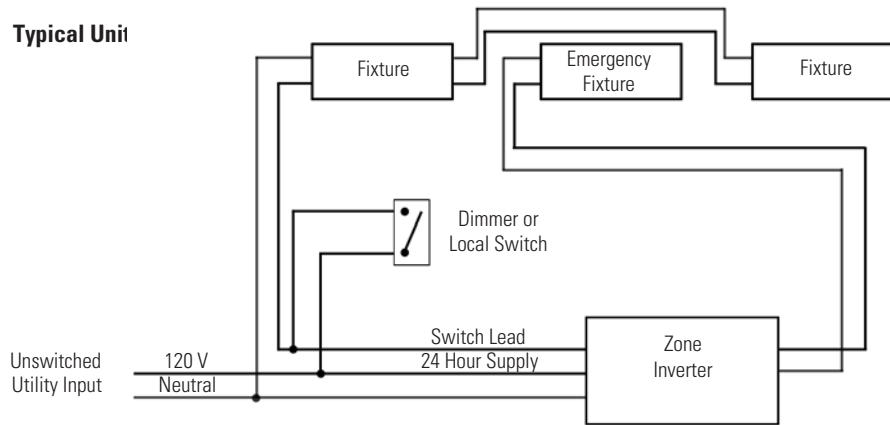
Job Information	Type:
Job Name:	
Cat. No.:	
Lamp(s):	
Notes:	

MODEL	Output Volts	Watts for 1 1/2 Hrs	Watts for 2 Hrs	Watts for 3 Hrs	Watts for 4 Hrs	Mounting Type	Weight (lbs.)
LMI100T	120/277	100	75	50	37	Ceiling Grid	37
LMI100R	120/277	100	75	50	37	Recessed	37
LMI100S	120/277	100	75	50	37	Surface	37
LMI250S*	120/277	250	185	115	87	Surface	89

* Available in surface mount configuration only.

System One-Line Diagrams

Typical Unit



Listed to
UL 924

Job Information	Type:
------------------------	--------------