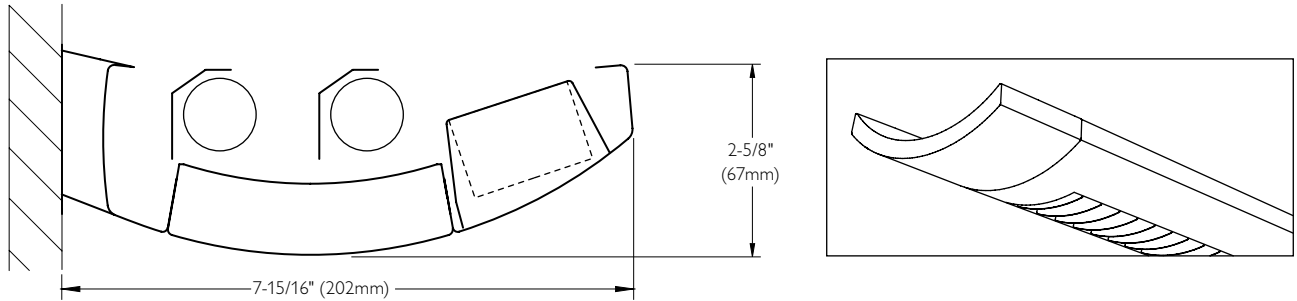


# LyteSpread Curve

## Lighting Systems, T8, LC08T02WN



### Ordering Information

| Style       | Lamps        | Lower Optics     | Upper Optics | Length  | Wiring   | Voltage   | Ballast              | Color & Finish            |
|-------------|--------------|------------------|--------------|---|--|---|----------------------|---------------------------|
| <b>LC08</b> | <b>T02</b>   | <b>W</b>         | <b>N</b>     |   |  |   | <b>E</b>             | <b>W</b>                  |
| Wall        | T02 = 2-Lamp | W = White Louver | N = None     | Enter the total run length in feet (4ft increments) | <b>1</b> = 1 circuit<br><b>2</b> = 2 circuit<br><b>3</b> = 1 circuit w/ Emergency circuit<br><b>4</b> = 2 circuit w/ Emergency circuit<br><b>5</b> = 1 circuit w/ Battery Pack<br><b>6</b> = 2 circuit w/ Battery Pack<br><b>7</b> = 1 circuit Dimming | <b>D</b> = Dual 120v/277v<br><b>1</b> = 120v*<br><b>2</b> = 277v*<br><b>3</b> = 347v* | E = Standard Ballast | W = High Reflective White |

\* Dimming and Battery Pack fixtures must be voltage specific.

### Housing

Die-formed 20 gauge cold-rolled steel. Fixture weighs 3.2 lb/ft. End caps are die-cast sculptured. Joints have a self-aligning system with hands-free pre-joining wire access.

### Optical System

Direct/Indirect White Louver: Constructed of 96% reflective white steel and specular aluminum to produce an asymmetric distribution. White baffles are spaced 1-5/16" apart. Standard distribution is 70% up and 30% down.

### Mounting

Fixture is mounted 1/2" off the wall by means of individual brackets. The brackets are specifically designed for ease of installation..

### Electrical

Factory pre-wired to section ends with quick-wire connectors. Ballast is electronic.

### Approvals

Certified to UL and CSA standards.

### Finish

High-quality powder coat. Available in white textured matte finish and a selection of other factory and customer specified colors. Consult factory for details.

| Job Information | Type: |
|-----------------|-------|
| Job Name:       |       |
| Cat. No.:       |       |
| Notes:          |       |

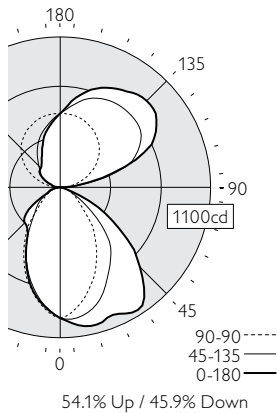
**PHILIPS**  
**LIGHTOLIER**

# LyteSpread Curve

## Lighting Systems, T8, LC08T02WN

Photometry Optics WN White Louver

### Candela Curve



Report # 9900927  
 Filename 7708T02WN.ies  
 Efficiency 65.6%  
 Peak Candela Value\* 892 @ 133°  
 Peak to Zenith Ratio\* 1.7 : 1  
 \* Between 90-180° vertical angle

Meets RP-1-04 recommendations for VDT-Intensive spaces

### Candela Distribution

| Vertical Angle | Horizontal Angle |      |     |      | Zonal Lumens |
|----------------|------------------|------|-----|------|--------------|
|                | 0                | 22.5 | 45  | 67.5 |              |
| 0              | 952              | 952  | 952 | 952  | 952          |
| 5              | 991              | 962  | 916 | 895  | 901          |
| 15             | 1033             | 914  | 783 | 756  | 776          |
| 25             | 1015             | 785  | 621 | 585  | 591          |
| 35             | 1048             | 642  | 443 | 408  | 413          |
| 45             | 826              | 472  | 256 | 263  | 366          |
| 55             | 531              | 235  | 149 | 188  | 281          |
| 65             | 231              | 96   | 90  | 104  | 113          |
| 75             | 31               | 33   | 47  | 47   | 71           |
| 85             | 0                | 3    | 10  | 10   | 16           |
| 90             | 0                | 0    | 0   | 0    | 0            |
| 95             | 101              | 112  | 41  | 30   | 27           |
| 105            | 394              | 424  | 143 | 68   | 63           |
| 115            | 738              | 627  | 239 | 137  | 124          |
| 125            | 859              | 718  | 330 | 172  | 185          |
| 135            | 892              | 737  | 404 | 222  | 200          |
| 145            | 850              | 735  | 458 | 293  | 236          |
| 155            | 799              | 712  | 497 | 372  | 313          |
| 165            | 716              | 659  | 527 | 440  | 411          |
| 175            | 592              | 573  | 536 | 507  | 494          |
| 180            | 538              | 538  | 538 | 538  | 538          |

### Coefficients of Utilization (%)

|       | Ceiling: 80 |    |    |    | 70 |    |    |    | 50 |    |    |    | 0  |    |    |  |
|-------|-------------|----|----|----|----|----|----|----|----|----|----|----|----|----|----|--|
|       | 70          | 50 | 30 | 10 | 70 | 50 | 30 | 10 | 50 | 30 | 10 | 0  | 30 | 10 | 0  |  |
| 0 RCR | 69          | 69 | 69 | 69 | 63 | 63 | 63 | 63 | 52 | 52 | 52 | 29 | 52 | 52 | 29 |  |
| 1     | 64          | 61 | 59 | 56 | 58 | 56 | 54 | 46 | 45 | 44 | 25 | 46 | 45 | 25 |    |  |
| 2     | 58          | 54 | 50 | 47 | 53 | 49 | 46 | 41 | 39 | 37 | 22 | 41 | 39 | 22 |    |  |
| 3     | 53          | 48 | 43 | 40 | 49 | 44 | 40 | 37 | 34 | 32 | 19 | 37 | 34 | 19 |    |  |
| 4     | 49          | 42 | 37 | 34 | 45 | 39 | 35 | 33 | 30 | 27 | 17 | 33 | 30 | 17 |    |  |
| 5     | 45          | 38 | 33 | 29 | 41 | 35 | 31 | 30 | 26 | 24 | 15 | 30 | 26 | 15 |    |  |
| 6     | 42          | 34 | 29 | 25 | 38 | 32 | 27 | 27 | 23 | 21 | 13 | 27 | 23 | 13 |    |  |
| 7     | 39          | 31 | 26 | 22 | 35 | 29 | 24 | 24 | 21 | 18 | 12 | 24 | 21 | 12 |    |  |
| 8     | 36          | 28 | 23 | 20 | 33 | 26 | 22 | 22 | 19 | 16 | 11 | 22 | 19 | 11 |    |  |
| 9     | 33          | 26 | 21 | 18 | 31 | 24 | 20 | 20 | 17 | 15 | 10 | 20 | 17 | 10 |    |  |
| 10    | 31          | 24 | 19 | 16 | 29 | 22 | 18 | 19 | 16 | 13 | 9  | 19 | 16 | 9  |    |  |

Based on a floor reflectance of 0.2

### Avg. Luminance (cd/m<sup>2</sup>)

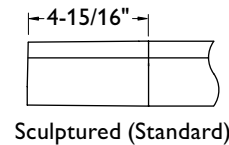
| Vertical Angle | Horizontal Angle |      |      |
|----------------|------------------|------|------|
|                | 0                | 45   | 90   |
| 55             | 8033             | 2254 | 4251 |
| 65             | 4743             | 1848 | 2320 |
| 75             | 1039             | 1576 | 2380 |
| 85             | 0                | 996  | 1593 |

### Upgrades & Accessories Please indicate with check mark

Lamps Included       Dust Cover

Lamps Included and Installed

### Endcap



### Modules

Module length excludes endcaps.

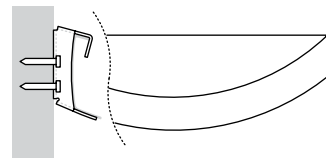
Nominal mount spacing for individually mounted modules with fixed position mounts.

| Module | Mount Spacing |
|--------|---------------|
| 4ft    | 4' 0"         |
| 8ft    | 8' 0"         |
| 12ft*  | 12' 0"        |

\* 12ft not available with Direct/Indirect

### Mounting Hardware

Mounts variable within 6" of end or joint. Minimum one mount per fixture end or joint. (Note: Mount is not continuous, and there fore fixture is not flush with wall.) Side-mounted 4" x 2-1/2" utility box (supplied by others).



Philips Lightolier  
 e: lol.webmaster@philips.com  
 t: (508) 679-8131  
 w: www.lightolier.com

LC08T02WN May 2, 2011

Specifications are subject to change without notice.  
 © Koninklijke Philips Electronics N.V., 2011. All rights reserved.

**Job Information** Type: