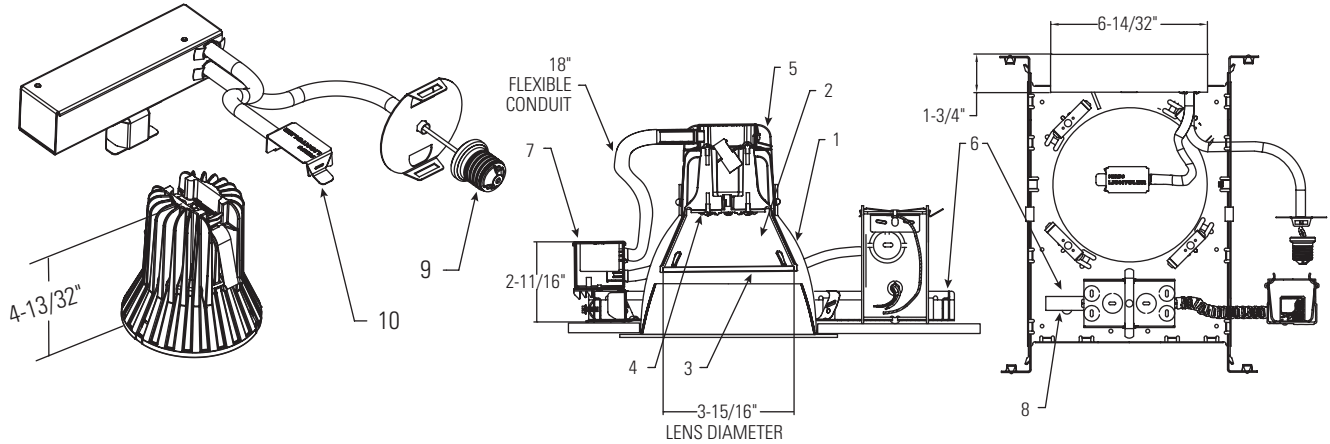


# L56LED09S

## Lytecaster, Non-Dimming, LED, Retrofit Kit

Page 1 of 5



**Note:** complete assembly consist of LED Retro-fit + Frame + Trim

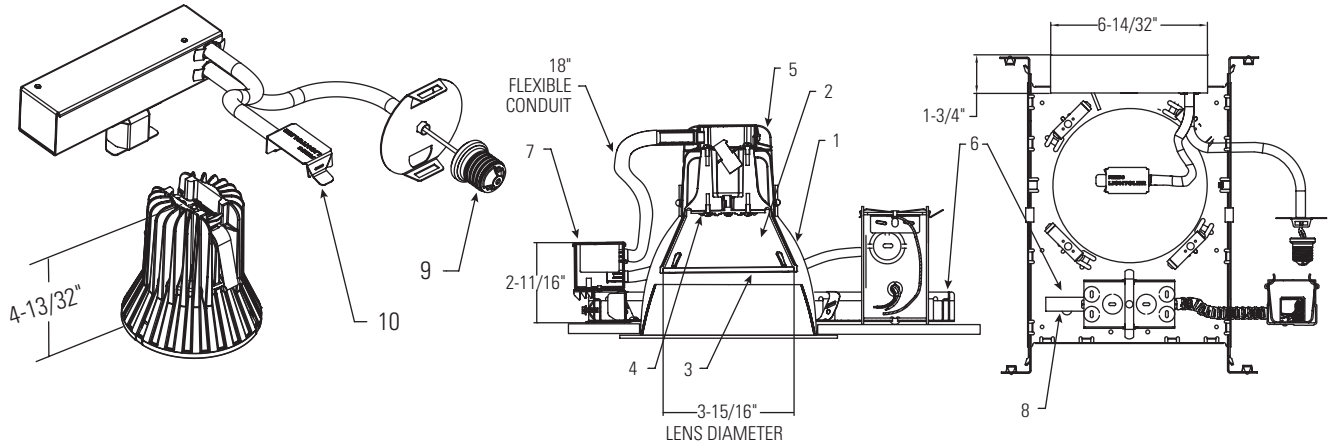
LED Retrofit Kit	1000 Series trim compatibility							
	Frame-in-kit	Reflector trims- see individual reflector trim specification sheets						
L56LED09S271 L56LED09S351	1002P1	Open Downlight						
		Cone	Satin cone	Baffle	Basic white	Pinhole	Enclosed diffusers	Wall washers
		1012	1008	1005	1071	1011	1024	1035
		1012NM	1008NM	1005NM			1078	1035WH
		1013	1010	1005WH			1090	1085
		1013NM	1010NM	1005BNM				
		1013BK		1076				
		1013BKNM		1076WH				
		1013CD						
		1013CDNM						
		1013WH						

Job Information	Type:
Job Name:	
Cat. No.:	
Notes:	

**PHILIPS**  
**LIGHTOLIER**

# L56LED09S

## Lytecaster, Non-Dimming, LED, Retrofit Kit



**Note:** complete assembly consist of LED Retro-fit + Frame + Trim

LED Retrofit Kit	1100 Series Trim Compatibility									
	Frame-in-Kit	Reflector trims- see individual reflector trim specification sheets								
L56LED09S271 L56LED09S351	1102P1 1102P1M	Open Downlight								
		Anodized Reflector	Cone	Satin Cone	Baffle	Basic White	Crossblade	Enclosed Diffusers	Wall Washers	Open Wet
		1143	1112	1108	1105	1171	1132	1121	1185	1184WH
		1144	1112NM	1108NM	1105NM			1124	1186	1184CD
		1144CD	1113	1110	1105WH			1126	1186WH	
		1145	1113NM	1110NM	1105BNM			1128	1195	
		1146	1113BK		1176			1134	1196	
		1146CD	1113BKNM		1176WH			1177SH	1196CD	
			1113CD		1179M1			1178SH		
			1113CDNM		1179WH			1190		
	1113WH									

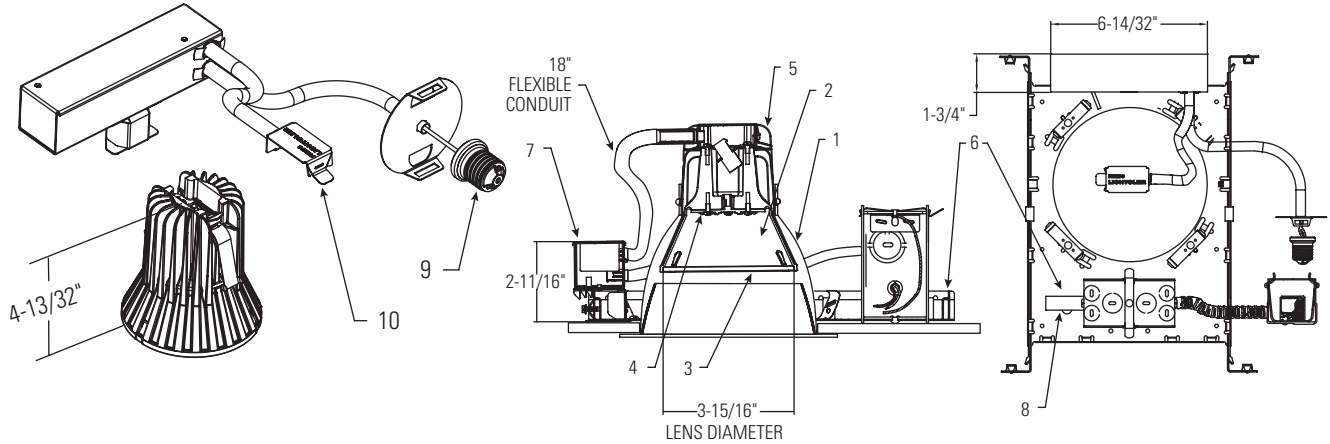
**Job Information** Type:

**PHILIPS**  
**LIGHTOLIER**

# L56LED09S

## Lytecaster, Non-Dimming, LED, Retrofit Kit

Page 3 of 5



### Features

- 1. Reflector:** See individual specification sheets for information.
- 2. Optical mixing chamber:** Designed to provide a spacing ratio of .9 (60° beam) when installed in standard Lytecaster trims. Optic design provides less glare than standard PAR lamps.
- 3. Lens:** Solite Glass lens has high transmission value with slight texturing to provide a smooth consistent beam distribution.
- 4. LED board:** Utilizes Philips Lumileds LED's.
- 5. Thermal management:** Heat sink was developed using the latest in Computational Fluid Dynamics Software. This optimized thermal design provides a 50,000 hour lifetime at 70% lumen maintenance. Cast aluminum heat sink is coated with a RoHS compliant coating (trivalent chromate) to resist corrosion in damp/wet environments.
- 6. Mounting frame:** Conversion kit can be mounted to 1102P1 and 1002P1 series rough-in sections. See individual specification sheets for information.
- 7. Power supply/enclosure:** Factory wired electronic LED driver (see Electrical section for specifications) Enclosed in a 22Ga galvanized steel housing.
- 8. Thermal protector:** Utilizes already installed thermal protection device located on junction box of rough-in being converted.
- 9. Adaptor assembly:** Male Adapting Screw is tool free and makes converting to Solid State Lighting as easy as changing an incandescent lamp. Clip Socket Bracket to existing deep drawn socket cup.
- 10. Top heat sink cover:** Tool free snap on enclosure bracket. 22-ga component houses the driver secondary tool free wire connector.

### Electrical

**Electronic power supply:** RoHS compliant Class 2 power unit for use in a damp or dry location (Outdoor Type1 IP66). Class A sound rated unit tolerates sustained open circuit and short circuit output conditions without damage. Complies with FCC rules per Title 47 CFR Part 15/18 Non-Consumer (Class A) for EMI/RFI (conducted and radiated) at full load.

Input Voltage	Input Frequency	Max Input Current	Max Input Power	Max THD	Power Factor	Minimum Operating Temperature
120V	50/60Hz	0.16	20W	< 20%	>.9	-20° C

### Labels

UL WET LOCATION CLASSIFIED

ENERGY STAR® qualified for use with specific finishing trims (see p 4). 5 Year Warranty.



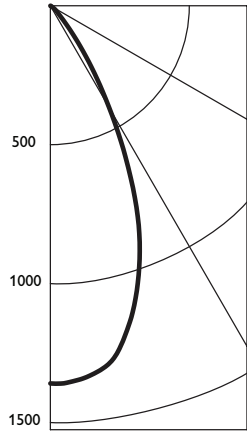
<b>Job Information</b>	<b>Type:</b>
------------------------	--------------

**PHILIPS**  
**LIGHTOLIER**

# L56LED09S

## Lytecaster, Non-Dimming, LED, Retrofit Kit

### Lytecaster LED, 2700K UniFrame



Angle	Mean CP
0	1359
5	1347
10	1293
15	1143
20	940
25	685
30	423
35	224
40	98
45	44
50	27
55	13
60	6
65	2
70	1
75	1
80	0
85	0
90	0

Catalog No: L56LED09S27/ 1013	
Report No.:	F10156
Total Fixture Lumens:	952
Color Temp:	2700K
Input Watts:	20.7W
Luminaire Efficacy	46 lm/w
Spacing Criterion:	0.82
CRI	82

		Coefficients of utilization											
		80%			70%			50%			0%		
Ceiling	Wall	70	50	30	70	50	30	50	30	10	10	0	
RCR		Zonal Cavity Method - Effective Floor Reflectance = 20%											
Room Cavity Ratio		0	119	119	119	116	116	116	111	111	111	100	
	1	114	111	109	111	109	107	105	103	102	94		
	2	109	104	100	106	102	99	99	96	94	88		
	3	104	98	93	102	96	92	94	90	87	83		
	4	99	92	87	97	91	86	88	84	81	78		
	5	94	86	81	93	86	80	84	79	76	73		
	6	90	82	76	89	81	76	79	75	71	69		
	7	86	77	72	85	77	71	75	71	67	65		
	8	82	73	68	81	73	67	72	67	63	62		
	9	79	70	64	78	69	64	68	63	60	58		
	10	75	66	61	74	66	60	65	60	57	55		

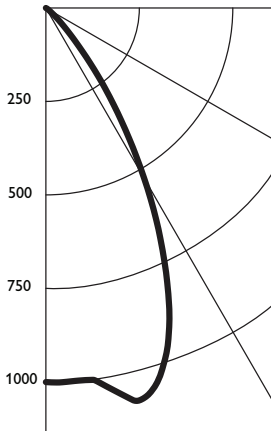
Zonal lumens and percentages			
Zone	Lumens	%Lamp	%Fixt
0-30	753	N/A	79
0-40	898	N/A	94
0-60	949	N/A	99
0-90	952	N/A	100

Single Unit Data		
Height to	Initial	Beam
Lighted	Center Beam	Diameter*
Plane	Foot-Candles	
6'	38	5
7'	28	6
8'	21	8

Tested using absolute photometry as specified in LM79: IESNA Approved Method for the Electrical and Photometric Measurements of Solid-State Lighting Products.

\*Beam diameter is where foot-candles drop to 50% of maximum.

### Lytecaster LED, 2700K retro fit kit



Angle	Mean CP
0	1001
5	1001
10	1038
15	1068
20	955
25	752
30	525
35	317
40	154
45	63
50	22
55	9
60	3
65	1
70	0
75	0
80	0
85	0
90	0

Catalog No: 1101LED09N271 / 1113	
Report No.:	F10146
Total Fixture Lumens:	995 lms
Color Temp:	2700K
Input Watts:	20.6W
Luminaire Efficacy	48 lm/w
Spacing Criterion:	1.00
CRI	82

		Coefficients of utilization											
		80%			70%			50%			0%		
Ceiling	Wall	70	50	30	70	50	30	50	30	10	10	0	
RCR		Zonal Cavity Method - Effective Floor Reflectance = 20%											
Room Cavity Ratio		0	119	119	119	116	116	116	111	111	111	100	
	1	114	111	108	111	109	107	105	103	101	94		
	2	108	103	99	106	102	98	98	95	93	87		
	3	103	96	92	101	95	91	92	89	86	81		
	4	98	90	85	96	89	84	87	83	79	76		
	5	93	85	79	91	84	78	82	77	73	71		
	6	88	79	73	87	79	73	77	72	68	66		
	7	84	75	69	82	74	68	73	68	64	62		
	8	80	70	64	79	70	64	69	64	60	58		
	9	76	66	61	75	66	60	65	60	56	55		
	10	72	63	57	71	62	57	62	57	53	51		

Zonal lumens and percentages			
Zone	Lumens	%Lamp	%Fixt
0-30	731	N/A	74
0-40	930	N/A	94
0-60	993	N/A	99
0-90	994	N/A	100

Single Unit Data		
Height to	Initial	Beam
Lighted	Center Beam	Diameter*
Plane	Foot-Candles	
6'	28	6
7'	20	7
8'	21	8

Tested using absolute photometry as specified in LM79: IESNA Approved Method for the Electrical and Photometric Measurements of Solid-State Lighting Products.

\*Beam diameter is where foot-candles drop to 50% of maximum.

**Job Information Type:**

**PHILIPS**  
**LIGHTOLIER**

# L56LED09S

## Lytecaster, Non-Dimming, LED, Retrofit Kit

Energy star lytecaster LED retrofit trim compatibility chart

5" Trims (1000 Series)					6¾" Trims (1100 Series)									
	L56LED09S271	L56LED09S27D1	L56LED09S351	L56LED09S35D1		L56LED09S271	L56LED09S27D1	L56LED09S351	L56LED09S35D1		L56LED09S271	L56LED09S27D1	L56LED09S351	L56LED09S35D1
1005BNM	X	---	X	---	1105	X	---	X	---	1132	X	---	X	X
1005WH	X	---	X	X	1105NM	X	---	X	---	1143	X	X	X	X
1008	X	---	X	---	1105BNM	X	X	X	X	1144	X	X	X	X
1008NM	X	---	X	---	1105WH	X	X	X	X	1144CD	X	X	X	X
1010	X	X	X	X	1108	X	X	X	X	1145	X	X	X	X
1010NM	X	X	X	X	1108NM	X	X	X	X	1146	X	X	X	X
1012	X	X	X	X	1110	X	X	X	X	1146CD	X	X	X	X
1012NM	X	X	X	X	1110NM	X	X	X	X	1171	X	X	X	X
1013	X	X	X	X	1112	X	X	X	X	1176WH	X	---	X	X
1013NM	X	X	X	X	1112NM	X	X	X	X	1179M1	X	---	X	---
1013BK	---	---	X	---	1113	X	X	X	X	1179WH	X	---	X	X
1013BKNM	---	---	X	---	1113NM	X	X	X	X	1184CD	X	X	X	X
1013CD	X	X	X	X	1113BK	X	---	X	---	1184WH	X	X	X	X
1013CDNM	X	X	X	X	1113BKNM	X	---	X	---	1190	X	X	X	X
1013WH	X	X	X	X	1113CD	X	X	X	X	X = Meets ENERGY STAR performance levels.				
1071	X	X	X	X	1113CDNM	X	X	X	X					
1076WH	X	---	X	X	1113WH	X	X	X	X					
1090	X	X	X	X	1126	X	---	X	---					



Philips Lightolier  
 e: lol.webmaster@philips.com  
 t: (508) 679-8131  
 w: www.lightolier.com

L56LED09S July 22, 2011

Specifications are subject to change without notice.  
 © Koninklijke Philips Electronics N.V., 2010. All rights reserved.

**Job Information** Type: