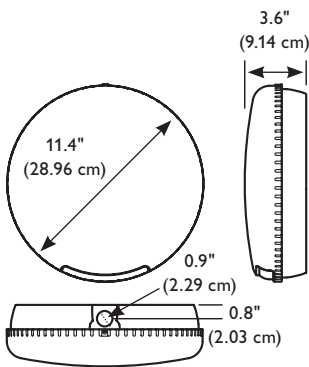


Harmony Series

White LED Architectural Lighting

HNBR31KSD2



Features

Illumination: Illumination is provided by two field-replaceable white LED modules and a vacuum plated polycarbonate reflector. The reflector design has been optimized to produce a 1 footcandle average illumination along a 6' x 30' path of egress when placed at a mounting height of 8' AFF.

Housing: Durable and fully gasketed die cast aluminum housing and cover with UV stabilized polycarbonate lens. A full range of pleasing architecturally inspired powder coated finishes are available (see below). Wall mount to standard 3 1/2" or 4" octagonal junction box or single gang junction box. Surface conduit entry knockout located on top of housing. Tamperproof hardware is included standard.

Operating Temperature

Range: AC-Only Models
 Standard Wet Location:
 -40°F (-40°C) to 104°F (40°C)
 Standard Wet Location w/
 2CKT Option:
 -40°F (-40°C) to 104°F (40°C)
 Self-Powered Models
 Standard Wet Location:
 32°F (0°C) to 104°F (40°C)
 Standard Wet Location w/
 Heater Option:
 -40°F (-40°C) to 104°F (40°C)

Battery: Maintenance-free sealed nickel metal hydride with 10-year life.

Diagnostic Electronics

(standard): 120/277 VAC dual voltage input with surge protection is standard on all AC models. On self-powered models, charging system is microprocessor driven with software embedded diagnostic routine and temperature compensation. 120/277 VAC input, surge protection, brownout, AC lockout and low voltage disconnect features are standard.

Self-Testing Diagnostics

(optional): The diagnostic/charging platform with optional self-testing mode automatically runs a one-minute self-test every 30 days and a 30-minute test on the sixth and twelfth month. A one-minute or 90-minute test may be initiated via the push to test switch on the unit or by activating the appropriate test command on the optional IR test device.

Electrical Specifications:

AC Only Models:
 0.203A (120 VAC)
 0.087A (277 VAC)
 AC Only, 2 Circuit Models:
 0.203A (120 VAC)
 0.087A (277 VAC)
 Self-Powered Models without Heater:
 0.198A (120 VAC)
 0.088A (277 VAC)
 Self-Powered Models with Heater:
 0.366A (120 VAC)
 0.148A (277 VAC)

Code Compliance

UL 924 and 1598 listed. UL wet location listed standard. NFPA 101, NEC, BOCA, OSHA and IBC illumination standards. ADA compliant.

Warranty

Three year full electronics warranty. Five year full plus five year prorated NiMH battery warranty.

Job Information	Type:
Job Name:	
Cat. No.:	
Notes:	

Harmony Series

White LED Architectural Lighting

Ordering Information

H				SD2	
Series	Battery/Type	Housing Color	LED Designator	Model Designator	Factory Installed Options ¹
H = Harmony LED Lighting Fixture	A = AC Only N = Self-Powered Emergency Unit with Nickel Metal Hydride Battery (NiMH)	W = White B = Black A = Aluminum G = Gunmetal BR = Ornamental Bronze AC = Aged Copper VG = Velvet Green N = Nickel GA = Granite	31K = 3,100 Kelvin 65K = 6,500 Kelvin	SD2 = Diagnostic Electronics	2CKT1 = Two-Circuit 120/120 VAC (AC only models) 2CKT2 = Two-Circuit 277/277 VAC (AC only models) DC = Universal 12-48 VDC Remote Emergency Input (AC only models) EX = Special Input Transformer (specify voltage & frequency) ¹ HR = Heater Option for -40°C to 40°C Ambient T = Self-Testing Diagnostics TA = Audible Self-Testing Diagnostics TD = Time Delay

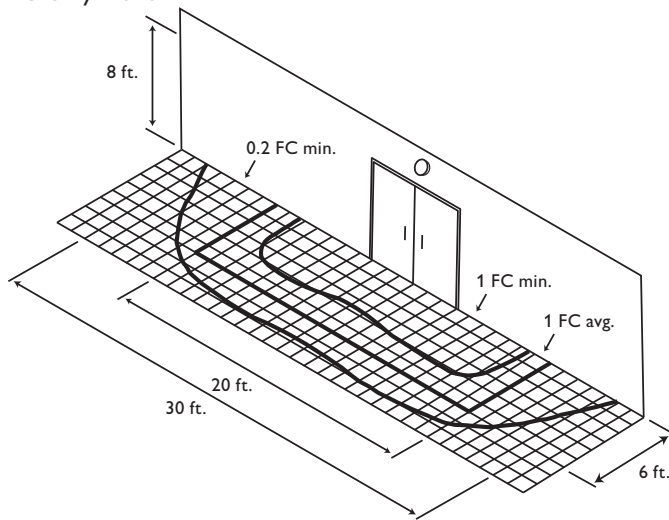
Accessories (order as a separate item)
SDREMOTE = Infrared Remote Test Device
T10TPTOOL = Tamperproof Driver and Bit

Note
 1) Some option combinations may impact UL listing. Consult factory for specifics.

Optics

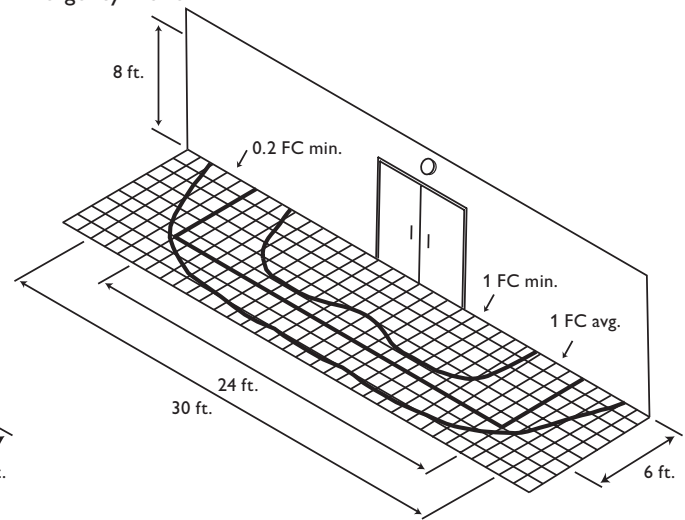
Wall mounted 8' AFF

AC Only Mode



Normal or Emergency Operation (AC Only and AC 2 Circuit)
 Dual fixtures on 27' centers, 8' AFF, provide an average of 1 footcandle on a 5' wide path.
 Single fixture provides an average of 1 footcandle over 20 feet on a 6' wide path.

Emergency Mode



Emergency Operation (Self-Powered)
 Dual fixtures on 30' centers, 8' AFF, provide an average of 1 footcandle on a 6' wide path.
 Single fixture provides an average of 1 footcandle over 24 feet on a 6' wide path.

* The optics layout shown is intended to be used as reference only. Standard reflectances used were 80/50/20. Lightolier is not responsible for site specific conditions that may alter the results.



Philips Lightolier
 e: lol.webmaster@philips.com
 t: (508) 679-8131
 w: www.lightolier.com

Harmony Series May 1, 2012

Specifications are subject to change without notice.
 © Koninklijke Philips Electronics N.V., 2012. All rights reserved.

Job Information Type: