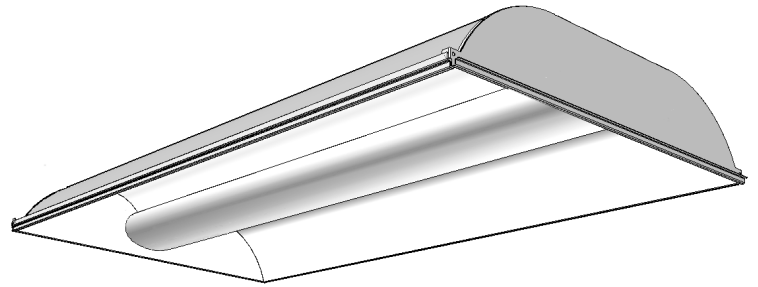


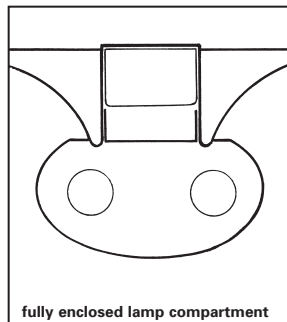
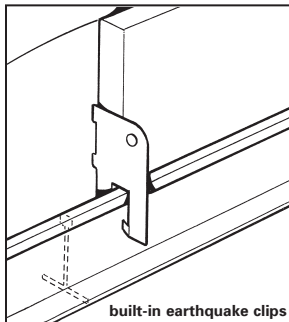
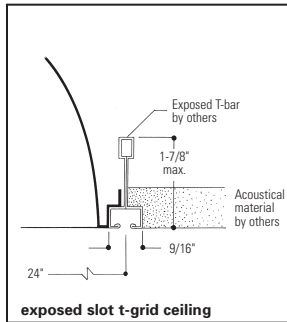
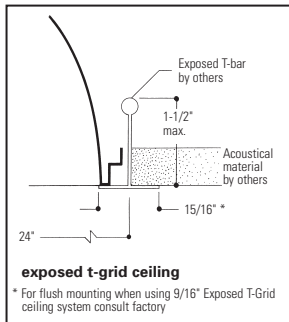
HP90 Recessed Fluorescent **H9S2GLR254 or 154**

Features

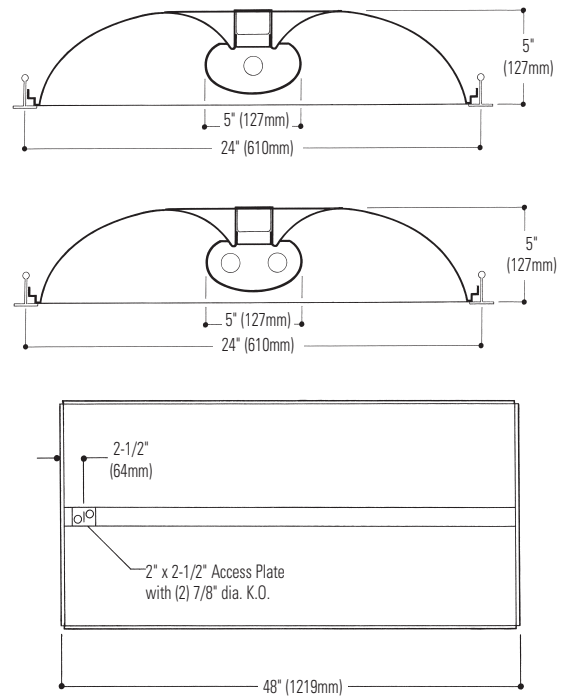
- 84.6% efficient (2 lamp, 54W).
- 89.7% efficient (1 lamp, 54W).
- Direct/indirect appearance with soft contoured interior.
- Lens encloses lamp compartment.
- Translucent DR acrylic high light transmission linear prismatic lens.
- Tension screws secure ends to body.
- Same fixture fits both G and T ceiling types.
- Fits flush to face of slot grid (T) ceiling types.
- Lamp shield opens from either side.
- 95% reflective specular aluminum reflector.
- Ballast accessible from room side.
- Built-in earthquake clips.
- Can be continuous row mounted.
- Wiring access plate standard.
- Optional DALI ballast i GEN TECHNOLOGY accepts digital dimming controllers, scene controllers and automatic control devices.
- Construction to meet NYC Code or Chicago Plenum available.



Mounting Methods



Dimensions



Job Information Type:

Job Name:

Cat. No.:

Lamp(s):

Volts/Ballast:

HP90 Recessed Fluorescent H9S2GLR254 or 154

Direct/Indirect – 2' x 4' with Acrylic Linear Prismatic Lens
Static, 1 or 2 Lamp T5

Model No. H9S2GLR154UNVPG

LER = FP - 66.5 IW - 61.9 BF - 1.02
Comparative yearly lighting energy cost per 1000 lumens = \$3.61

Report Number: G2010216
Catalog Number: H9S2GLR154UNVPG
Lamps: F54 T5 HO
Luminaire: HP90 2' x 4' with linear prismatic lens.
Ballast: Advance ICN-2S54
Report is based on 4500 Lumens per lamp.
Efficiency: 89.7%
CIE Type-Direct-Indirect
Plane: 0-Deg 90-Deg
Spacing Criteria: 1.2 1.4
Shielding Angles: 90 90
Plane: 0-Deg 90-Deg
Luminous Length: 46.920 22.920

CANDELA DISTRIBUTION

	0.0	45.0	90.0	FLUX
0	1234	1235	1235	
5	1226	1231	1237	117
15	1179	1208	1233	342
25	1088	1151	1202	530
35	957	1051	1121	655
45	791	913	998	698
55	601	750	852	661
65	402	576	713	564
75	207	402	474	384
85	49	68	44	85
90	0	0	0	

ZONAL LUMEN SUMMARY

ZONE	LUMENS	% LAMP	% FIXT
0- 30	989	22.0	24.5
0- 40	1644	36.5	40.7
0- 60	3002	66.7	74.4
0- 90	4036	89.7	100.0
90-180	0	0.0	0.0
0-180	4036	89.7	100.0

LUMINANCE DATA IN CANDELA/SQ. METER

AVERAGE IN DEG.	AVERAGE 0-DEG.	AVERAGE 45-DEG.	AVERAGE 90-DEG.
45	1612.	1860.	2034.
55	1510.	1884.	2140.
65	1371.	1964.	2431.
75	1152.	2238.	2639.
85	810.	1124.	727.

COEFFICIENTS OF UTILIZATION – ZONAL CAVITY METHOD. EFFECTIVE FLOOR CAVITY REFLECTANCE 0.20

RC	80	50	30
1	92	88	86
2	87	80	73
3	79	69	62
4	72	61	53
5	66	54	46
6	61	49	40
7	57	44	36
8	53	40	33
9	49	37	29
10	46	34	27

Model No. H9S2GLR254UNVPG

LER = FP - 66.5 IW - 112.39 BF - 1.0
Comparative yearly lighting energy cost per 1000 lumens = \$3.61

Report Number: G2006118
Catalog Number: H9S2GLR254UNVPG
Lamps: F54 T5 HO
Luminaire: HP90 2' x 4' with linear prismatic lens.
Ballast: B254UNV-E
Report is based on 4400 Lumens per lamp.
Efficiency: 84.6%
CIE Type-Direct-Indirect
Plane: 0-Deg 90-Deg
Spacing Criteria: 1.3 1.4
Shielding Angles: 90 90
Plane: 0-Deg 90-Deg
Luminous Length: 46.800 22.800

CANDELA DISTRIBUTION

	0.0	45.0	90.0	FLUX
0	2340	2340	2340	
5	2320	2339	2354	223
15	2228	2326	2406	658
25	2079	2280	2417	1044
35	1851	2134	2220	1303
45	1548	1790	1827	1348
55	1173	1345	1428	1197
65	771	963	1099	950
75	383	625	665	597
85	75	95	60	125
90	0	0	0	

COEFFICIENTS OF UTILIZATION – ZONAL CAVITY METHOD. EFFECTIVE FLOOR CAVITY REFLECTANCE 0.20

RC	80	50	30
1	92	88	84
2	83	76	70
3	76	67	59
4	69	59	51
5	64	52	45
6	59	47	39
7	54	43	35
8	50	39	32
9	47	36	29
10	44	33	26

ZONAL LUMEN SUMMARY

ZONE	LUMENS	% LAMP	% FIXT
0- 30	1926	21.9	25.9
0- 40	3229	36.7	43.4
0- 60	5774	65.6	77.5
0- 90	7446	84.6	100.0
90-180	0	0.0	0.0
0-180	7446	84.6	100.0

LUMINANCE DATA IN CANDELA/SQ. METER

AVERAGE IN DEG.	AVERAGE 0-DEG.	AVERAGE 45-DEG.	AVERAGE 90-DEG.
45	3179.	3676.	3752.
55	2970.	3405.	3615.
65	2649.	3309.	3776.
75	2149.	3507.	3731.
85	1250.	1583.	1000.

Ordering Information

Explanation of Catalog Number. Example: H9S2GLR254UNVPG

HP90 Direct/Indirect Recessed	S Body Style: S = Static	2 Fixture Width	G Ceiling Type: Fits both Standard Grid and Slot Grid	L Acrylic Lens	R Reflector: Specular Aluminum	54 Lamp Quantity 1=1 Lamp 2=2 Lamp	54 Lamp: (By Others) 54=T5 54W (Nominal 48")	120, 277 or UNV=120-277 Voltage:	Ballast Type: 1 Lamp Elec. T5 HO (54 Watt) 2 Lamp Elec. T5 HO (54 Watt) ††Program Rapid Start (UNV only)	Options: Add appropriate suffix to catalog no., ie: (A)
---	---------------------------------------	---------------------------	--	--------------------------	---	--	---	--	--	---

H9	Standard HP90
HY	For NYC Code – I.B.E.W. Manufactured

Options/Accessories

Fusing: Internal fast blow fusing: SUFFIX: **A**.
Internal slow blow fusing: SUFFIX: **C**.
Drywall Kit: Order Catalog Number: **FK92X4**.
Electrical Wiring Options: Consult factory.
For motion or light sensor: See Folio OA20-10.

Specifications

Performance: In an installation of 2 lamp 54W luminaires in a room cavity ratio of 1, with reflectance 80% ceiling, 50% wall, 20% floor, the C.U. shall not be less than .88. To reduce glare the average brightness at 65° shall not exceed 3776 candelas per square meter. To control veiling reflections, luminaire output in the 30°-90° zone shall not be less than 74.1%.
Materials: Chassis parts are die-formed code gauge steel.
Lamp Shield: Linear prismatic translucent DR acrylic lens.

Specifications (continued)

Finish: Chassis exterior – baked white acrylic enamel. Cavity – baked flat white acrylic enamel. Rust preventative undercoating. **Reflector** – low iridescence specular aluminum 95% reflectance.
Electrical: Thermally protected class "P" ballast C.B.M. approved, non PCB. If K.O. is within 3" of ballast, use wire suitable for at least 90°.
UL Listed for damp locations.
Labels: I.B.E.W./UL and ULc Listed.
This product may have a mercury containing lamp. Manage in accord with Disposal Laws. See: www.lamprecycle.org

Job Information Type: