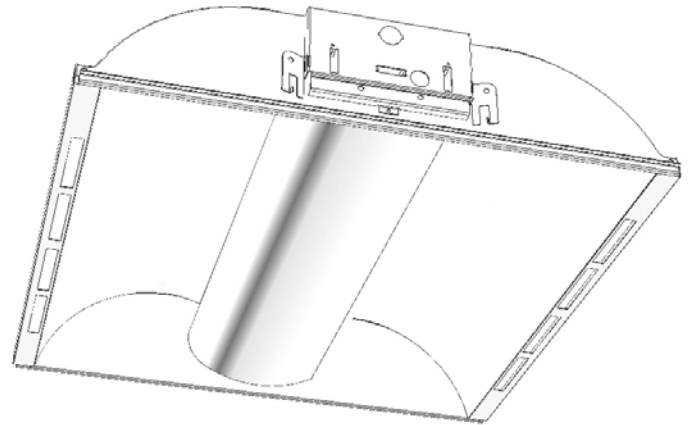
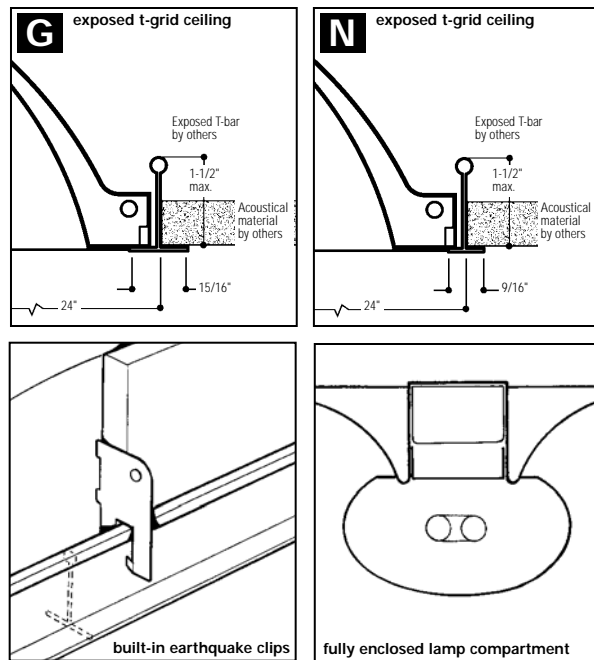


### Features

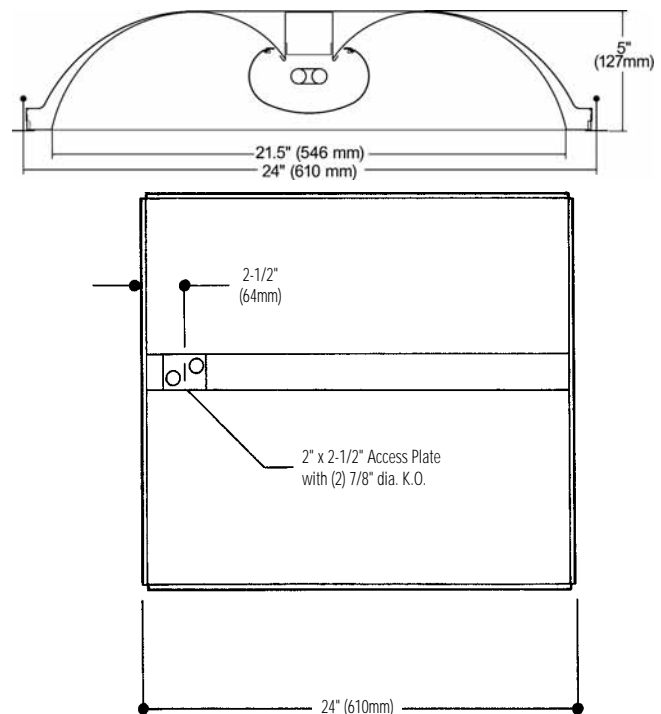
- 72.9% efficient.
- Direct/indirect appearance with soft contoured interior.
- Air supply or return.
- Air return models meet UL 1598, Paragraph 9.2.2.5 requirements.
- Lens encloses lamp compartment.
- Translucent DR acrylic linear prismatic lens.
- Tension screws secure ends to body.
- Fixture available in both G and N ceiling types.
- Lamp shield opens from either side.
- 95% reflective specular aluminum reflector.
- Ballast accessible from room side.
- Built-in earthquake clips.
- Can be continuous row mounted.
- Wiring access plate standard.
- Optional DALI ballast iGEN TECHNOLOGY accepts digital dimming controllers, scene controllers and automatic control devices.
- Construction to meet NYC Code or Chicago Plenum available.



### Mounting Methods



### Dimensions



### Job Information

### Type:

**Job Name:**

**Cat. No.:**

**Lamp(s):**

**Volts/Ballast:**

For Factory Technical Information: (978) 657-7600 • Fax (978) 658-0595  
631 Airport Road, Fall River, MA 02720 • (508) 679-8131 • Fax (508) 674-4710  
We reserve the right to change details of design, materials and finish.  
www.lightolier.com © 2008 a Philips Group

11/08

Section 5/Folio M32-28

## Direct/Indirect Fluorescent – 2' x 2' with Acrylic Linear Prismatic Lens Air Supply or Return, 1 Lamp TT5

### Model No. H9A2GLR1FTUNVPR

LER = FP - 61.2 IW - 37.55 BF - 1.0  
Comparative yearly lighting energy cost per 1000 lumens = \$3.92

Report Number: G20A6149  
Catalog Number: H9A2GLR1FTUNVPR  
Lamps: F40BX/SPX30/IS  
Luminaire: HP90 2' x 2' with linear prismatic lens.  
Ballast: C240PUNVHP-B/UNV  
Report is based on 3150 Lumens per lamp.  
Efficiency: 72.9%  
CIE Type-Direct-Indirect  
Plane: 0-Deg 90-Deg  
Spacing Criteria: 1.2 1.2  
Shielding Angles: 90 90  
Plane: 0-Deg 90-Deg  
Luminous Length: 23.760 23.760

#### CANDELA DISTRIBUTION

	0.0	45.0	90.0	FLUX
0	876	876	876	
5	868	872	876	83
15	836	841	845	238
25	776	776	772	357
35	685	665	646	416
45	560	518	528	410
55	400	373	413	348
65	230	248	318	260
75	97	149	195	155
85	19	24	19	31
90	2	2	2	

#### ZONAL LUMEN SUMMARY

ZONE	LUMENS	% LAMP	% FIXT
0- 30	678	21.5	29.5
0- 40	1093	34.7	47.6
0- 60	1851	58.8	80.6
0- 90	2296	72.9	100.0
90-180	0	0.0	0.0
0-180	2296	72.9	100.0

#### COEFFICIENTS OF UTILIZATION – ZONAL CAVITY METHOD. EFFECTIVE FLOOR CAVITY REFLECTANCE 0.20

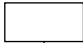
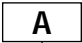
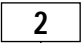
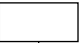

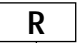
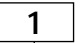

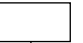
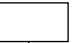


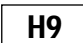


RC	80	50	30	10	50	30	10
RW 70	80	76	73	71	69	67	65
1	80	76	73	71	69	67	65
2	73	67	62	63	59	56	54
3	66	59	53	55	51	47	46
4	61	52	46	49	44	40	43
5	56	47	40	44	39	35	38
6	52	42	36	40	35	31	34
7	48	38	32	37	31	27	31
8	45	35	29	34	28	24	28
9	42	32	26	31	26	22	25
10	39	30	24	29	24	20	23

#### LUMINANCE DATA IN CANDELA/SQ. METER

AVERAGE IN DEG.	AVERAGE 0-DEG.	AVERAGE 45-DEG.	AVERAGE 90-DEG.
45	2174.	2011.	2049.
55	1914.	1789.	1976.
65	1494.	1611.	2065.
75	1029.	1580.	2068.
85	598.	765.	598.

## Ordering Information

Explanation of Catalog Number. Example: H9A2GLR1FTUNVPR

											
HP90 Direct/Indirect Recessed	Body Style: A = Air Supply or Return	Fixture Width	Ceiling Type: G = 15/16" Grid N = 9/16" Grid	Acrylic Lens	Reflector: Specular Aluminum	Lamp Quantity 1=1 Lamp	Lamp: (By Others) FT = Iwin Tube T5 (Nominal 24")	Voltage: 120, 277 or UNV=120-277	Ballast Type: <20THD <10THD	-	Options: Lamps Flex EM Pack Fuse (Consult your representative)
	Standard HP90								1 Lamp Elec. TT5 (40 Watt) <b>SB*</b> <b>IB*</b>		
	For NYC Code – I.B.E.W. Manufactured								1 Lamp Elec. TT5 (40 Watt) – <b>PR†</b>		
	For NYC Code – Local 3 Manufactured								1 Lamp Elec. TT5 (50 Watt) <b>BE</b> –		
									1 Lamp Elec. TT5 (55 Watt) – <b>BF</b>		
									LOL Dimming TT5 <b>PB</b> –		
									*Instant Start Standard.		
									Other dimming options. Consult factory.		
									<b>NOTE:</b>		
									For TT5 40W UNV, you must use PR Ballast Code.		
									†Program Rapid Start		

## Options/Accessories

**Drywall Kit:** Order Catalog Number: FK92X2.  
**Electrical Wiring Options:** Consult factory.  
**For motion or light sensor:** See Folio OA20-10.

## Specifications

**Performance:** In an installation of 1 lamp 40W luminaires in a room cavity ratio of 1, with reflectance 80% ceiling, 50% wall, 20% floor, the C.U. shall not be less than .96. To reduce glare the average brightness at 65° shall not exceed 2617 candelas per square meter. To control veiling reflections, luminaire output in the 30°-90° zone shall not be less than 69.5%.

**Materials:** Chassis parts are die-formed code gauge steel.

**Lamp Shield:** Linear prismatic translucent DR acrylic lens.

**Finish:** Chassis exterior – baked white acrylic enamel. Cavity – baked flat white acrylic enamel. Phosphate undercoating. Reflector – low iridescence specular aluminum 95% reflectance.

## Specifications (continued)

**Electrical:** Thermally protected class "P" ballast C.B.M. approved, non PCB. If K.O. is within 3" of ballast, use wire suitable for at least 90°.  
UL Listed for damp locations.

**Labels:** I.B.E.W./UL and ULc Listed.

This product may have a mercury containing lamp. Manage in accord with Disposal Laws. See: www.lamprecycle.org

## Job Information

## Type:

For Factory Technical Information: (978) 657-7600 • Fax (978) 658-0595  
631 Airport Road, Fall River, MA 02720 • (508) 679-8131 • Fax (508) 674-4710

We reserve the right to change details of design, materials and finish.

www.lightolier.com © 2008 a Philips Group

Section 5/Folio M32-28