

Retro Fit Recessed Fluorescent High Performance Louver, 2 Lamp T8, T5 or T5HO

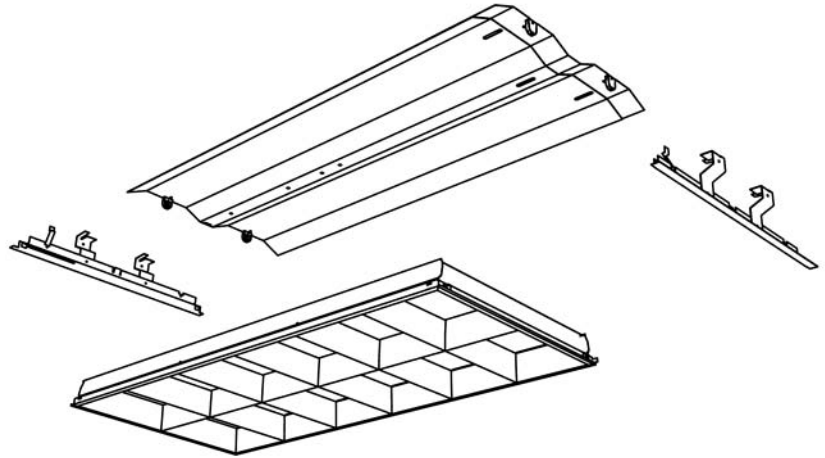
- G02 Retro can be used to convert most 2' X 4' and 2' X 2' parabolic or specification grade lens troffers into energy saving luminaires.
- G02 Retro evenly illuminates horizontal and vertical surfaces and is low in brightness.
- G02 Retro is ideal for those areas where you would like to have a minimum of down time such as retail spaces and schools.
- Manufactured in USA

G02 Retro 2' X 4'

- 12 Cell 95% reflective flat white powder coated louver.
- 84.5% efficient 32 watt T8.
- 1.5 space mounting ratio.

G02 Retro 2' X 2'

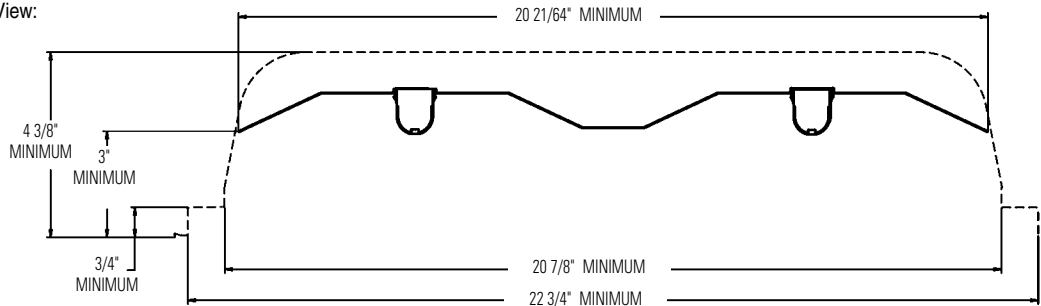
- 6 Cell 95% reflective flat white powder coated louver.
- 80.6% efficient 17 watt T8.
- 1.5 space mounting ratio.



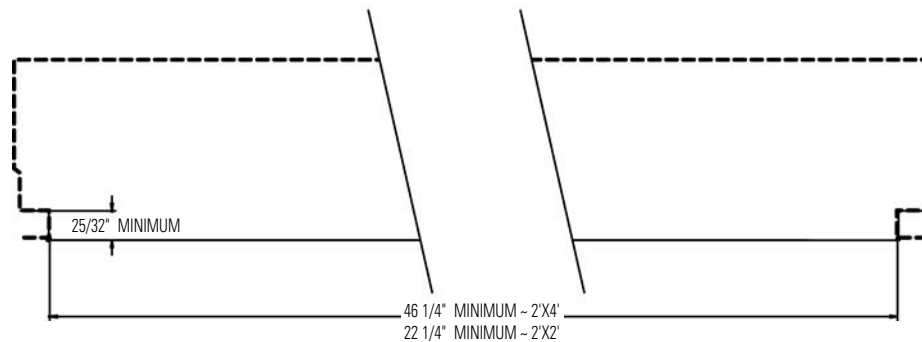
Dimensions below reflect the clearances required in existing fixture for proper G02 Retro installation.

To insure proper fit a sample installation is recommended.

Cross Section View:



Side View:



Job Information

Type:

Job Name:

Cat. No.:

Lamp(s):

Volts/Ballast:

For Factory Technical Information: (978) 657-7600 • Fax (978) 658-0595
 631 Airport Road, Fall River, MA 02720 • (508) 679-8131 • Fax (508) 674-4710
 We reserve the right to change details of design, materials and finish.
 www.lightolier.com © 2009 a Philips Group

01/09

Section 1/Folio A10-32

Retro Fit Recessed Fluorescent High Performance Louver, 2 Lamp T8, T5 or T5HO

Model No. GOR2G232UNVC5 ~ 2' X 4'

LER = FP - 76.0 IW - 53.06 BF - 0.77
Comparative yearly lighting energy cost per 1000 lumens = \$3.16

Report Number: G2008310
Catalog Number: GOR2G232UNVC5
Lamp: (2) F32T8/841/Alto
Luminaire: G02 RETRO 2'X4' with 12 cell white louver.
Ballast: Advance IOP-2P-32-LW-SC
Report is based on 3100 Lumens per lamp.
Efficiency: 84.5%
CIE Type-Direct-Indirect
Plane: 0-Deg 90-Deg
Spacing Criteria: 1.2 1.5
Shielding Angles: 90 90
Plane: 0-Deg 90-Deg
Luminous Length: 45.000 21.000

CANDELA DISTRIBUTION

	0.0	45.0	90.0	FLUX
0	1869	1869	1869	
5	1861	1859	1864	177
15	1746	1798	1867	509
25	1576	1697	1849	786
35	1358	1549	1770	974
45	1097	1330	1697	1052
55	797	1078	1125	902
65	471	556	454	506
75	219	246	294	262
85	56	65	70	71
90	7	7	5	

ZONAL LUMEN SUMMARY

ZONE	LUMENS	% LAMP	% FIXT
0- 30	1472	23.7	28.1
0- 40	2446	39.5	46.7
0- 60	4401	71.0	84.0
0- 90	5239	84.5	100.0
90-180	0	0.0	0.0
0-180	5239	84.5	100.0

COEFFICIENTS OF UTILIZATION – ZONAL CAVITY METHOD. EFFECTIVE FLOOR CAVITY REFLECTANCE 0.20

RC	80	50	30
RW 70 50 30 10 50 30 10			
1	92	89	85
2	84	78	72
3	77	69	62
4	71	61	54
5	65	54	47
6	60	49	42
7	56	44	37
8	52	40	33
9	48	37	30
10	45	34	28

LUMINANCE DATA IN CANDELA/SQ. METER

AVERAGE IN DEG.	AVERAGE 0-DEG.	AVERAGE 45-DEG.	AVERAGE 90-DEG.
45	2544.	3084.	3935.
55	2278.	3082.	3216.
65	1827.	2157.	1761.
75	1387.	1558.	1862.
85	1054.	1223.	1317.

Model No. GOR2G217UNVC2 ~ 2' X 2'

LER = FP - 64.4 IW - 30.85 BF - 0.88
Comparative yearly lighting energy cost per 1000 lumens = \$3.73

Report Number: G2008315
Catalog Number: GOR2G217UNVC2
Lamp: (2) F17T8/TL835/Alto
Luminaire: G02 Retro 2'X2' with 6 cell white louver.
Ballast: Advance IOP-2P-32-SC
Report is based on 1400 Lumens per lamp.
Efficiency: 80.6%
CIE Type-Direct-Indirect
Plane: 0-Deg 90-Deg
Spacing Criteria: 1.2 1.5
Shielding Angles: 90 90
Plane: 0-Deg 90-Deg
Luminous Length: 21.000 21.000

CANDELA DISTRIBUTION

	0.0	45.0	90.0	FLUX
0	825	825	825	
5	821	820	823	78
15	766	793	825	225
25	686	746	817	345
35	584	676	785	425
45	463	577	755	457
55	326	455	482	381
65	188	228	186	207
75	91	106	118	109
85	24	26	29	30
90	4	4	3	

ZONAL LUMEN SUMMARY

ZONE	LUMENS	% LAMP	% FIXT
0- 30	648	23.1	28.7
0- 40	1073	38.3	47.6
0- 60	1911	68.3	84.7
0- 90	2257	80.6	100.0
90-180	0	0.0	0.0
0-180	2257	80.6	100.0

COEFFICIENTS OF UTILIZATION – ZONAL CAVITY METHOD. EFFECTIVE FLOOR CAVITY REFLECTANCE 0.20

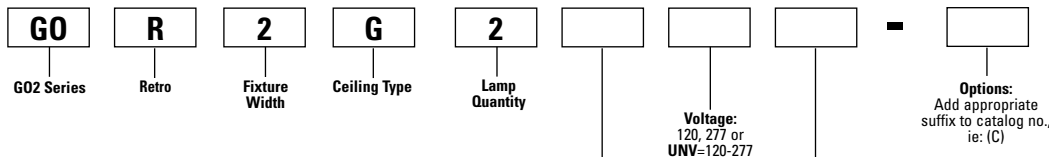
RC	80	50	30
RW 70 50 30 10 50 30 10			
1	88	85	81
2	81	74	69
3	74	66	59
4	68	58	52
5	62	52	45
6	58	47	40
7	53	43	36
8	50	39	32
9	46	36	29
10	43	33	27

LUMINANCE DATA IN CANDELA/SQ. METER

AVERAGE IN DEG.	AVERAGE 0-DEG.	AVERAGE 45-DEG.	AVERAGE 90-DEG.
45	2301.	2867.	3751.
55	1997.	2787.	2953.
65	1563.	1895.	1546.
75	1235.	1439.	1602.
85	968.	1048.	1169.

Ordering Information

Explanation of Catalog Number. Example: GOR2G232UNVC5



Options/Accessories

Fusing: Internal fast-blow fusing. SUFFIX A.
Internal slow-blow fusing. SUFFIX C.

Electrical Wiring Options: Emergency Packs are only available on 2'X4' model. Consult factory with additional inquires.

Specifications

Performance: In an installation of 2 lamp 32W luminaries in a room cavity ratio of 1, reflectance 80% ceiling, 50% wall, 20% floor, the C.U. shall not be less than .89. To prevent glare the VCP shall be not less than 72 either lengthwise or crosswise and the average brightness at 65° shall not exceed 2157 candelas per square meter. To control veiling reflections, luminaire output in the 30°-90° zone shall not be less than 71.9%.

Materials: Power Tray parts are die-formed code gauge cold rolled steel.

Finish: Power Tray—95% reflective white baked polyester enamel. Rust preventative undercoating. **Louver**—95% reflective flat white powder coat.

Electrical: Thermally protected class "P" ballast C.B.M. approved, non PCB. If K.O. is with-in 3' of ballast, use wire suitable for at least 90°.

This product may have a mercury containing lamp.
Manage in accord with Disposal Laws. See: www.lamprecycle.org

Lamp Type/ Fixture Length:
17 = 2' T8 17W
14 = 2' T5 14W
24 = 2' T5HO 24W (Nominal 24")
32 = 4' T8 32W
28 = 4' T5 28W
54 = 4' T5HO 54W (Nominal 48")

G02 Retro 2'X4'
1-2 Lamp 32W Elec. T8
Advance 32W Optanium T8
1 or 2 Lamp 28W Elec. T5
1 or 2 Lamp 28W Elec. T5
LOL Dimming

G02 Retro 2'X2'
1-2 Lamp 17W Elec. T8
Advance 17W Optanium T8
1-2 Lamp 14W Elec. T5
1-2 Lamp 24W Elec. T5HO

Ballast Type:
Ballast Factor
HI* .88
C5* .77
CO* 1.18
PI*
PG**
PS

<10THD <10THD Ballast Factor
SO* HI* 0.88
C5* CO* 1.23
PG** PG**

*Instant Start Standard

**Program Rapid Start (UNV only)

Other dimming options. Consult factory.

NOTE:
For T8 UNV, you must use HI OR H3 Ballast Code.

Job Information Type:

For Factory Technical Information: (978) 657-7600 • Fax (978) 658-0595
631 Airport Road, Fall River, MA 02720 • (508) 679-8131 • Fax (508) 674-4710
We reserve the right to change details of design, materials and finish.
www.lightolier.com © 2009 a Philips Group

Section 1/Folio A10-32